

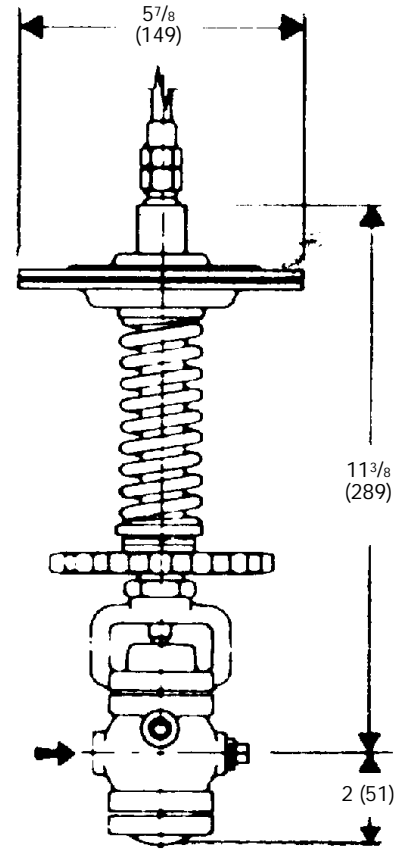
# TYPE T14 VAPOR TENSION TEMPERATURE PILOT

## SPECIFICATION

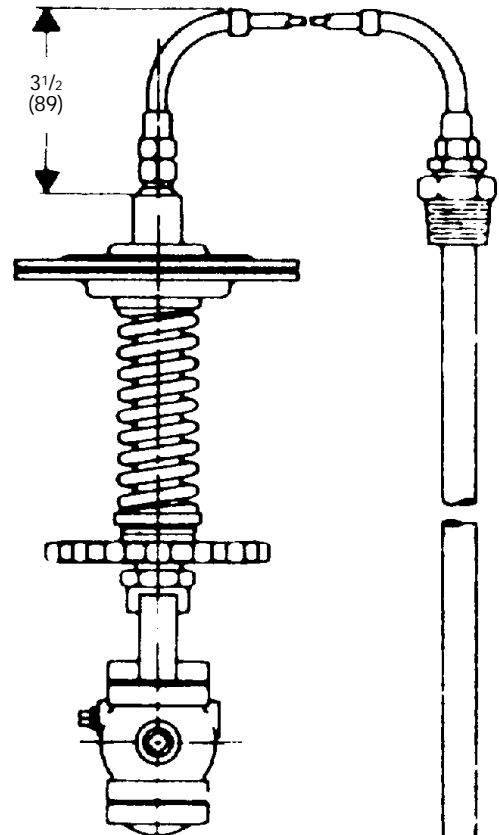
Pilot valve shall be separate from the main valve and connected to it by unions. Pilot seats shall be protected by built-in strainer screens. Pilot shall be interchangeable on all sizes of main valves. Thermal elements shall provide a 100°F (38°C) range of temperature adjustment and shall withstand 100°F overheating without damage. Handwheel adjustment for temperature shall be standard. Unless otherwise scheduled, thermal elements shall be equipped with 10 feet of brass flexible tubing. Number 700 bronze bulb, Number 728 bronze well shall be supplied for storage tank applications. Steel wells shall be supplied for fuel oil service.

## MATERIALS OF CONSTRUCTION

Body, Cast Iron .....	ASTM A126 CI B
Body, Cast Steel .....	ASTM A216 GR. WCB
Stem .....	2024-T4 ASTM B211-75
Disc .....	440 St. St. ASTM A276-75 COND A
Seat .....	420 St. St. ASTM A276 COND A
Gasket .....	Graphite
Diaphragm .....	Bronze ASTM B103-77 UNS C51000
Spring .....	Steel



TYPE T14 TEMPERATURE PILOT  
13 LBS. (6 KG)



TYPE T14  
TEMPERATURE PILOT