

DIMENSIONS & DATA CERTIFIED FOR:

Representative:

Order:

Customer:

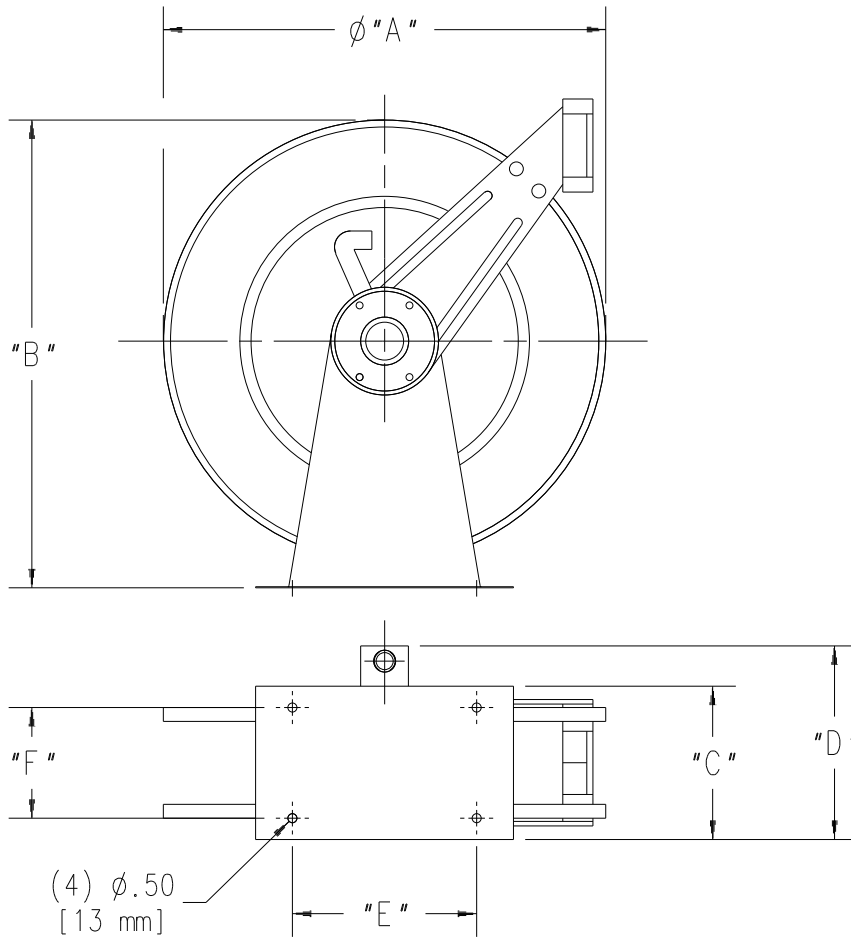
Order:

Project:

Requirements:

By:

Date:



| MODEL | DIMENSIONS | | | | | | WEIGHT (less hose) |
|--------|--------------------|--------------------|--------------------|--------------------|--------------------|-------------------|-----------------------|
| | A | B | C | D | E | F | |
| 047-81 | 24" [610mm] | 25-3/8" [645mm] | 7-5/16" [165mm] | 10-1/2" [267mm] | 10" [254mm] | 6" [152mm] | 84 lbs. [38 kgs.] |
| 047-82 | 24-1/8" [613mm] | 25-3/8" [645mm] | 9-5/16" [210mm] | 14-1/2" [362mm] | 10-1/2" [267mm] | 7-7/8" [199mm] | 87 lbs. [39 kgs.] |

NOTE:

- Models 047-81 and 047-82 are available in stainless steel as Models 047-81SS and 047-82SS respectively.
- Hose Reels supplied with 4' yellow adaptor hose and bumper stop.



ARMSTRONG HOT WATER GROUP

221 Armstrong Boulevard
Three Rivers, MI 49093

Armstrong 1-888-HOT HOSE(1-888-468-4673) Fax 1-269-279-3130
Posted on Armstrong's homepage www.armstrong-intl.com

WASHDOWN EQUIPMENT
047 SERIES
HOSE REEL

Date
7/19/99

Rev.
D

Drawing No.
CDLW 1026