

DIMENSIONS & DATA CERTIFIED FOR:

Representative:

Order:

Customer:

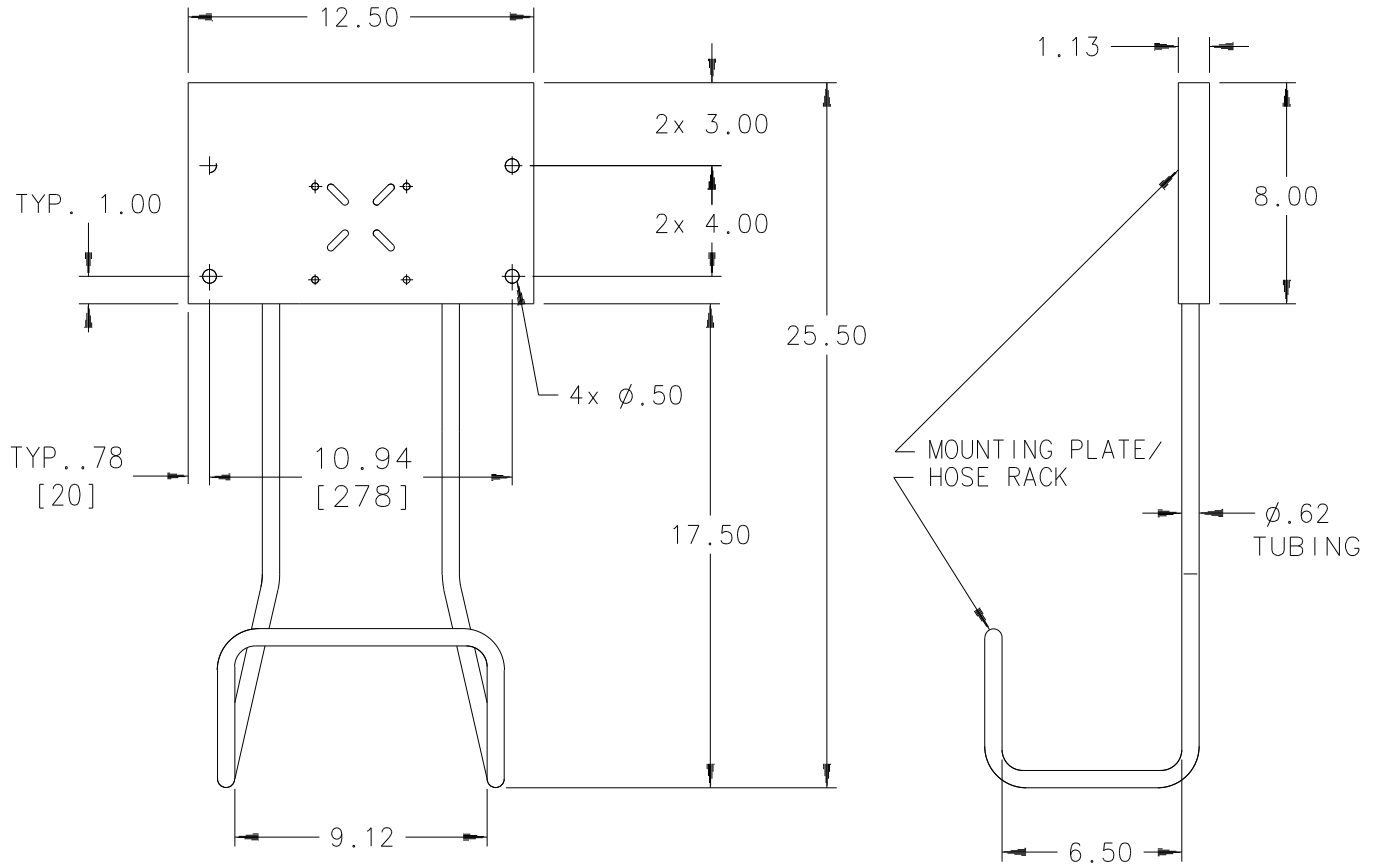
Order:

Project:

Requirements:

By:

Date:



LIST OF MATERIALS	
NAME OF PART	MATERIAL
MOUNTING PLATE/HOSE RACK	T304 SS

Weight, Unit: 6 lbs [2.7 kgs]

 Armstrong	ARMSTRONG HOT WATER GROUP 221 Armstrong Boulevard Three Rivers, MI 49093 1-888-HOT HOSE(1-888-468-4673) Fax 1-269-279-3130 Posted on www.armstrong.com	
	WASHDOWN EQUIPMENT 041R HOSE RACK	Date 8/18/98
		Drawing No. CDLW 1004