



Single Temperature Hose Station

Assembly # 1032/1033

Model 1032 (less Hose and Spray Nozzle)

Stainless Steel (SS) 500PSI rated full port 3/4" NPT (20mm) Ball Valve mounted on Heavy Duty SS Hose Rack with 8" x 12 1/2" (203 x 317mm) Mounting Plate with (4) mounting holes.

SS Hose Strain Relief and 3/4" x 4" (20mm x 101mm) SS Nipple with 3/4" (20mm) SS Coupling at outlet.

Model 1033 (with 25' Hose, Thermometer and Spray Nozzle)

As above (1032) with SS 3" (76mm) dial Dual Scale Thermometer 50-250°F/10-121°C, 25' (7.6m) Armstrong brand specialty safety yellow abrasion resistant washdown hose complete with 3/4" (20mm) live male swivel and external spring guard at inlet and 1/2" (20mm) live male swivel adaptor at outlet.

Custom lengths and a variety of colors are also available.

Model number includes a self closing rubber cushioned Armstrong brand Spray Nozzle with stainless steel Nozzle Hook.

Technical Specifications:

- Operating Pressure
 - Maximum 500 PSI (34 bar)
 - Maximum 150 PSI (10 bar) using Armstrong Spray Nozzle
- Recommended Maximum Operating Temperature
 - Hose and Spray Nozzle: 190°F
- All Stainless Steel Construction

Specify this Hose Station as follows:

Model 1032

Hose station shall comprise Stainless Steel (SS) full port 3/4" NPT (20mm) Ball Valve mounted on Heavy Duty SS Hose Rack with 8" x 12 1/2 (203 x 317mm) Mounting Plate with four (4) mounting holes. SS Hose Strain Relief and 3/4" x 4" (20mm x 101mm) SS Nipple with 3/4" (20mm) SS Coupling.

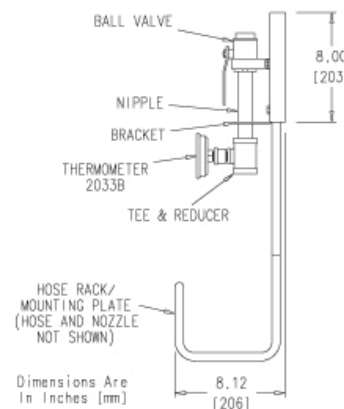
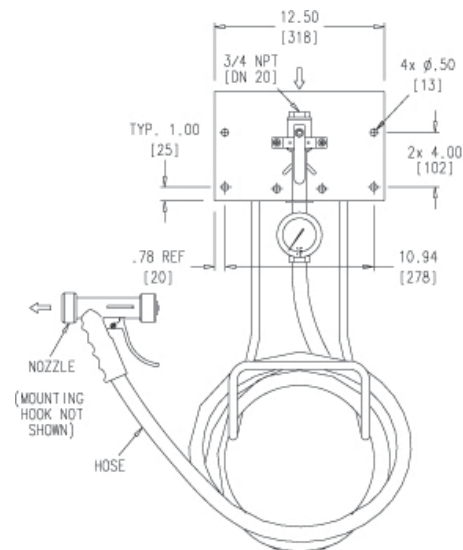
Model 1033

Hose Station shall be supplied with SS 3" (76mm) Dual scale Thermometer at outlet, 25' of Armstrong Brand specialty safety yellow abrasion resistant washdown hose, Armstrong brand self closing, rubber cushioned Spray Nozzle and stainless steel Nozzle Hook.

All as Armstrong Hose Station Model 1032/1033 by Armstrong Hot Water Group of Three Rivers, MI or otherwise approved equal.

All dimensions and weights are approximate. Use certified print for exact dimensions. Design and materials are subject to change without notice.

For a fully detailed certified drawing, refer to CDLW # 1012.



All dimensions and weights are approximate. Use certified print for exact dimensions. Design and materials are subject to change without notice.