

# DIMENSIONS & DATA CERTIFIED FOR:

Representative:

Order:

Customer:

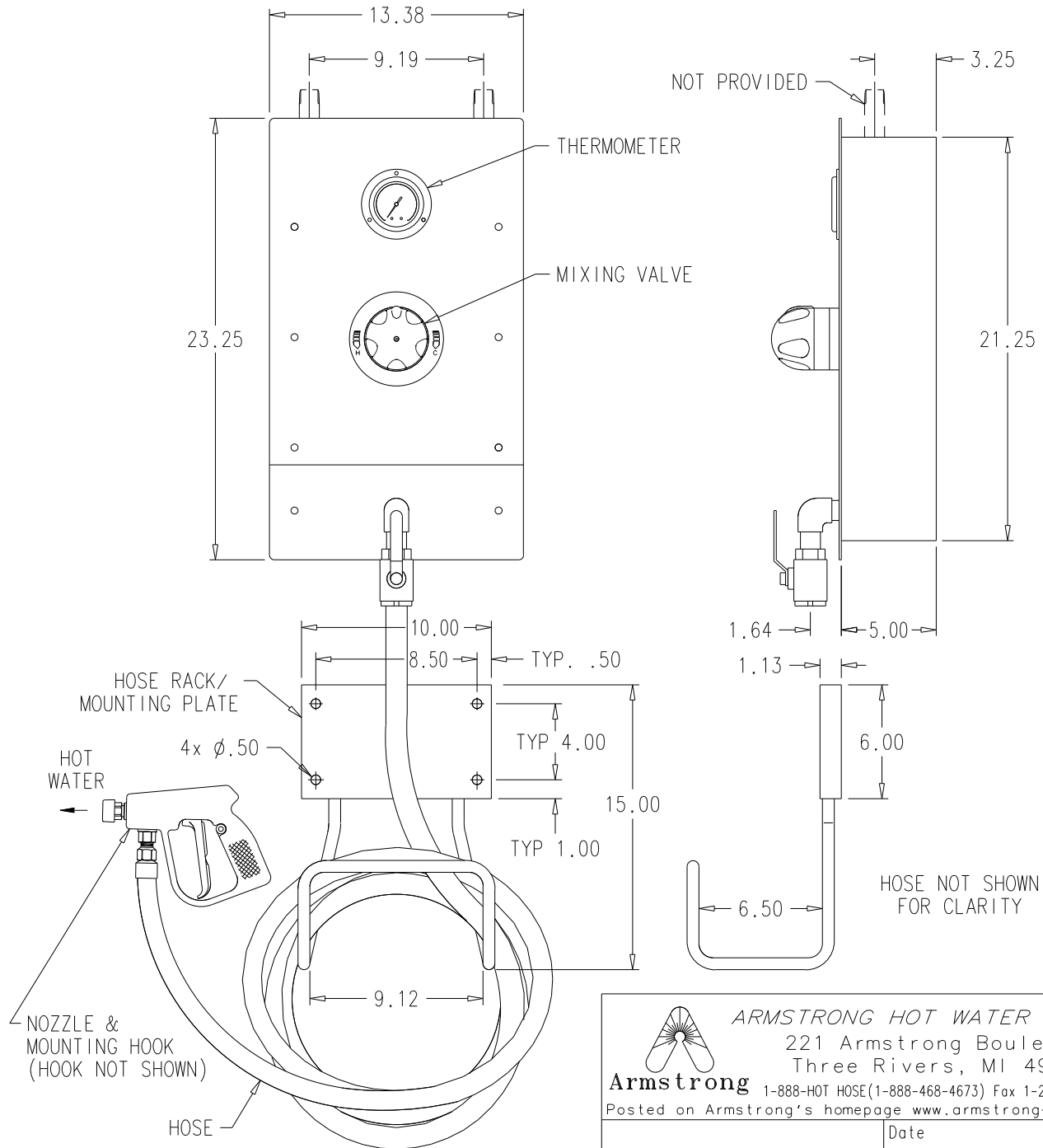
Order:

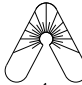
Project:

Requirements:

By:

Date:



 <p><b>ARMSTRONG</b></p>	<p>ARMSTRONG HOT WATER GROUP                  221 Armstrong Boulevard                  Three Rivers, MI 49093                  1-888-HOT HOSE(1-888-468-4673) Fax 1-269-279-3130                  Posted on Armstrong's homepage <a href="http://www.armstrong-intl.com">www.armstrong-intl.com</a></p>	
	<p>H/C WATER HOSE STATION 3403</p>	<p>Date: 3/4/02</p>
		<p>Drawing No. PAGE 1 CDLW 1072</p>

# DIMENSIONS & DATA CERTIFIED FOR:

Representative:

Order:

Customer:

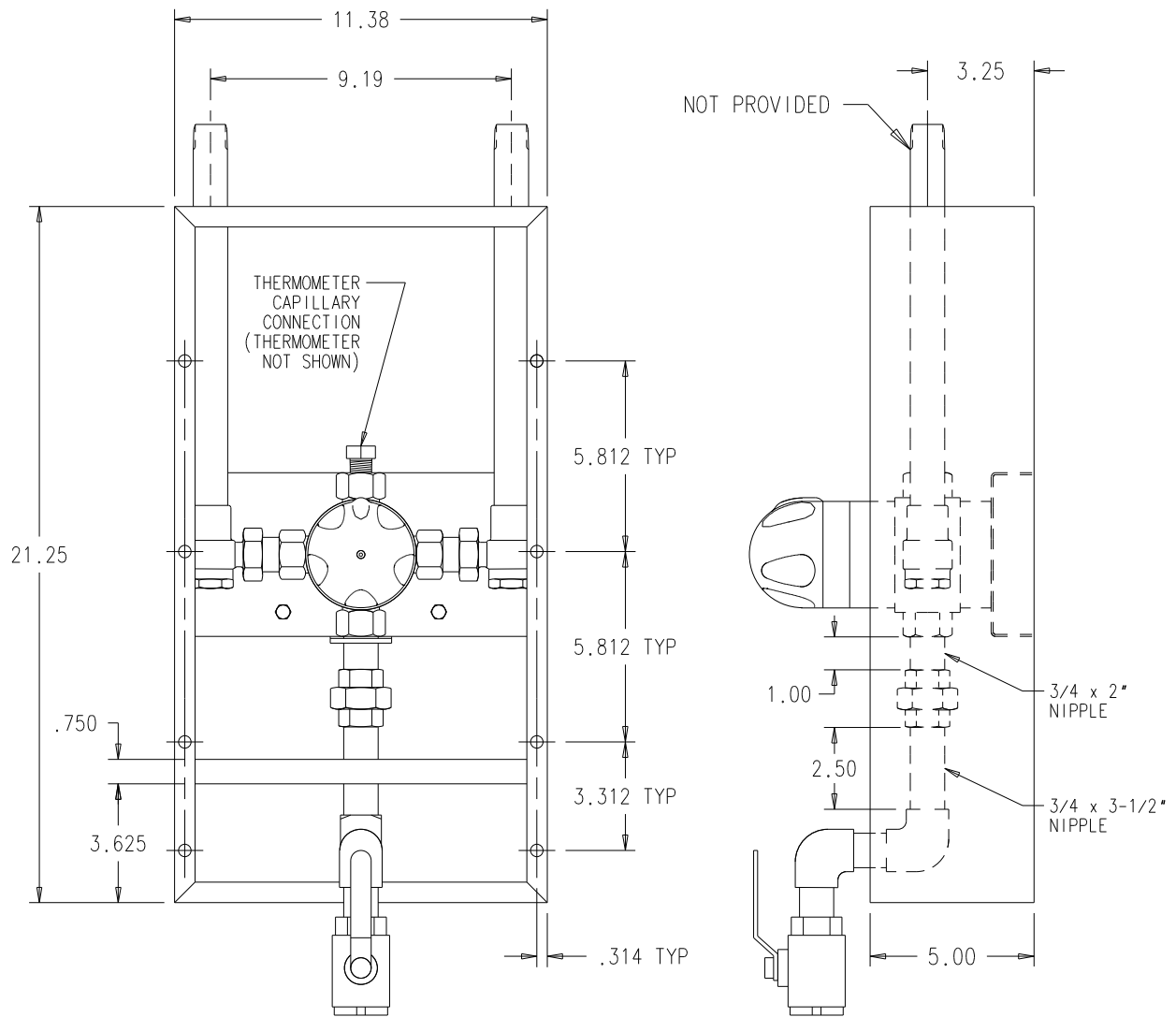
Order:

Project:


Requirements:

By:

Date:



HOSE AND HOSE RACK NOT SHOWN FOR CLARITY.

 <b>Armstrong</b>	<b>ARMSTRONG HOT WATER GROUP</b> 221 Armstrong Boulevard Three Rivers, MI 49093 1-888-HOT HOSE(1-888-468-4673) Fax 1-269-279-3130 Posted on Armstrong's homepage <a href="http://www.armstrong-intl.com">www.armstrong-intl.com</a>	
	H/C WATER HOSE STATION 3403	Date 3/4/02
		Drawing No. <span style="float: right;">PAGE 2</span> CDLW 1072