

DIMENSIONS & DATA CERTIFIED FOR:

Representative:

Order:

Customer:

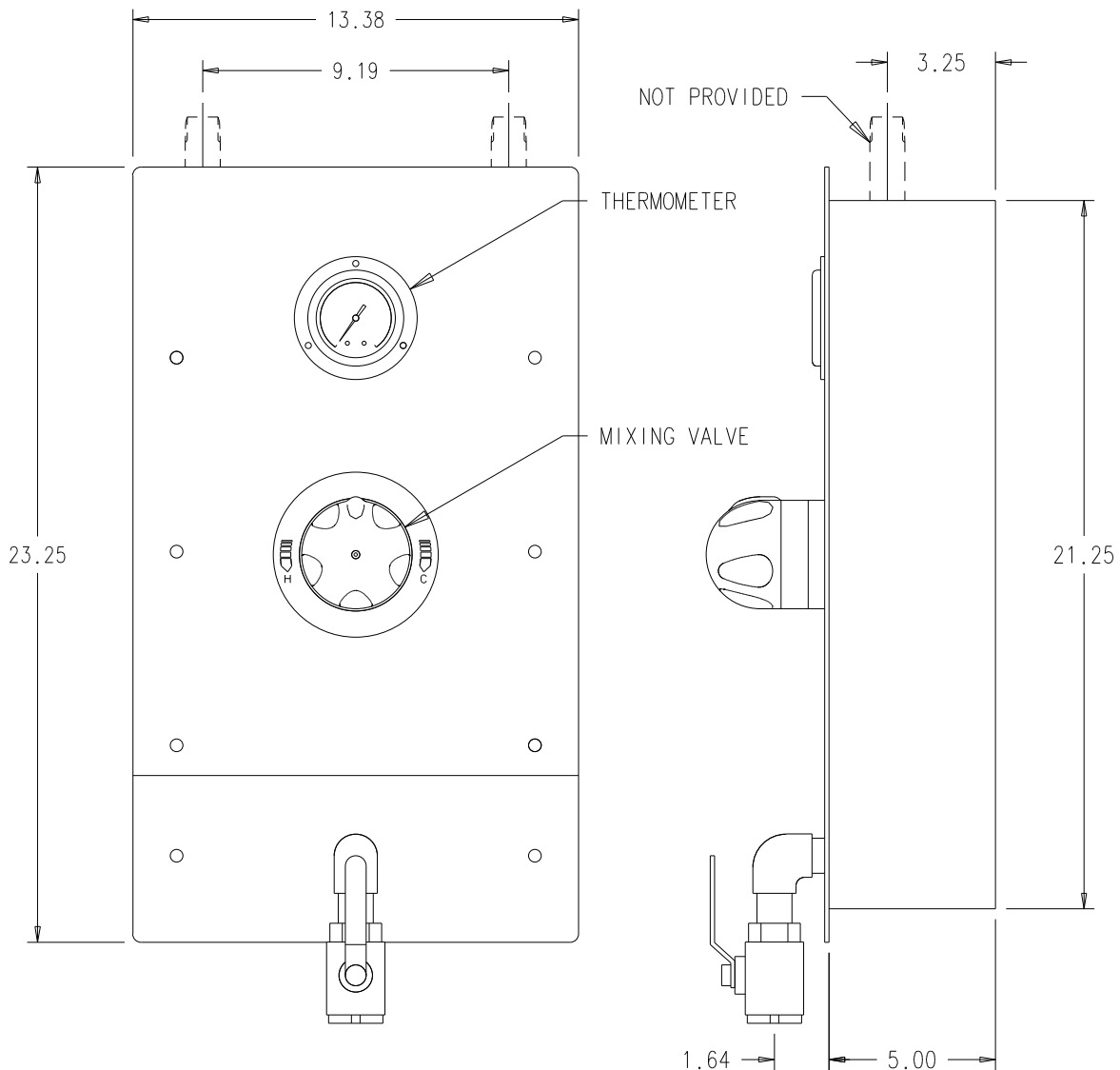
Order:

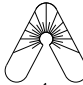
Project:

Requirements:

By:

Date:



 Armstrong	ARMSTRONG HOT WATER GROUP 221 Armstrong Boulevard Three Rivers, MI 49093 1-888-HOT HOSE(1-888-468-4673) Fax 1-269-279-3130 Posted on Armstrong's homepage www.armstrong-intl.com	
	H/C WATER HOSE STATION 3401	Date 2/19/02
		Drawing No. PAGE 1 CDLW 1069

DIMENSIONS & DATA CERTIFIED FOR:

Representative:

Order:

Customer:

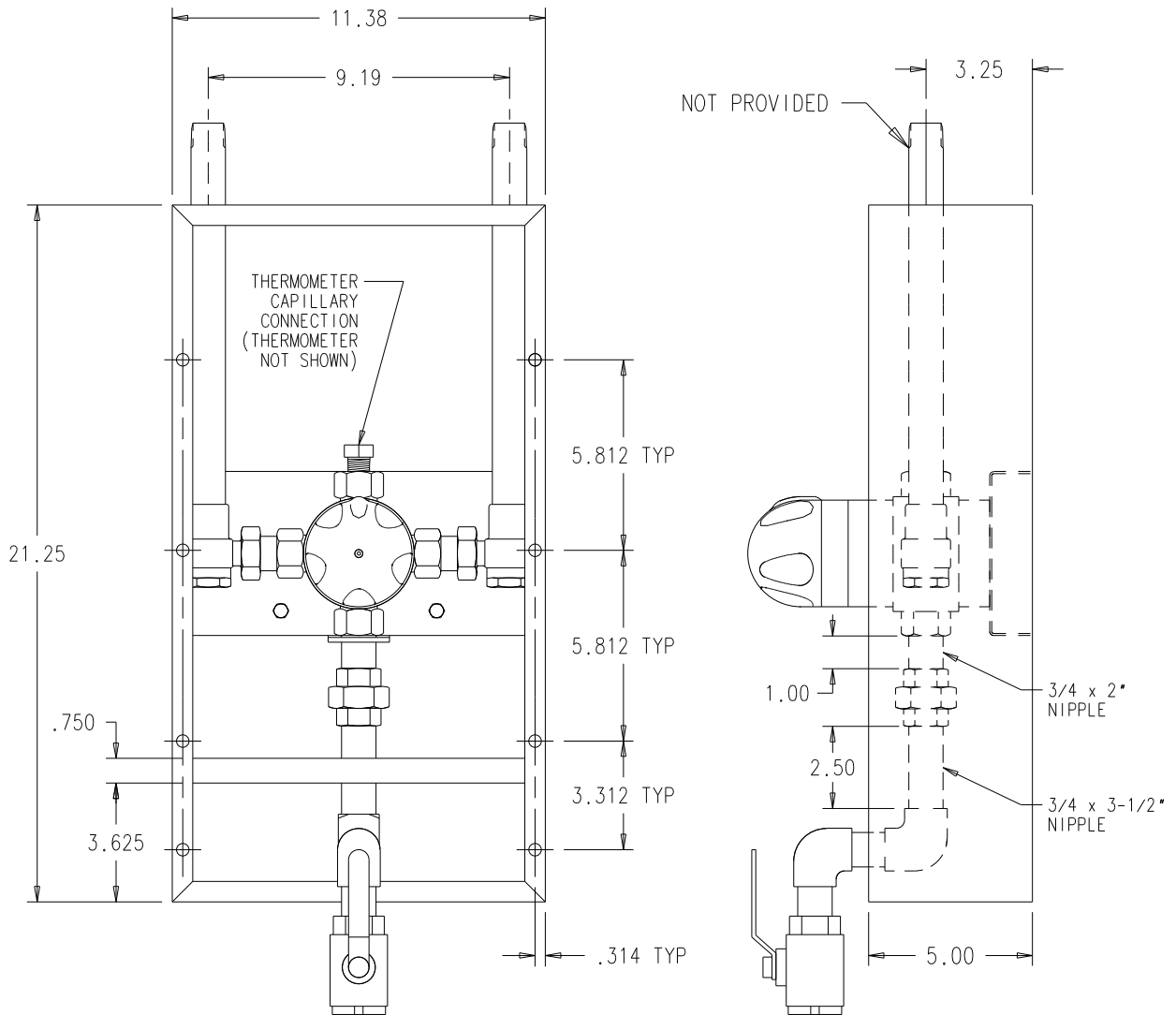
Order:

Project:

Requirements:

By:

Date:



ARMSTRONG HOT WATER GROUP

221 Armstrong Boulevard
Three Rivers, MI 49093

Armstrong 1-888-HOT HOSE(1-888-468-4673) Fax 1-269-279-3130
Posted on Armstrong's homepage www.armstrong-intl.com

H/C WATER HOSE
STATION 3401

Date

2/19/02

Rev.

D

Drawing No.

PAGE 2

CDLW 1069