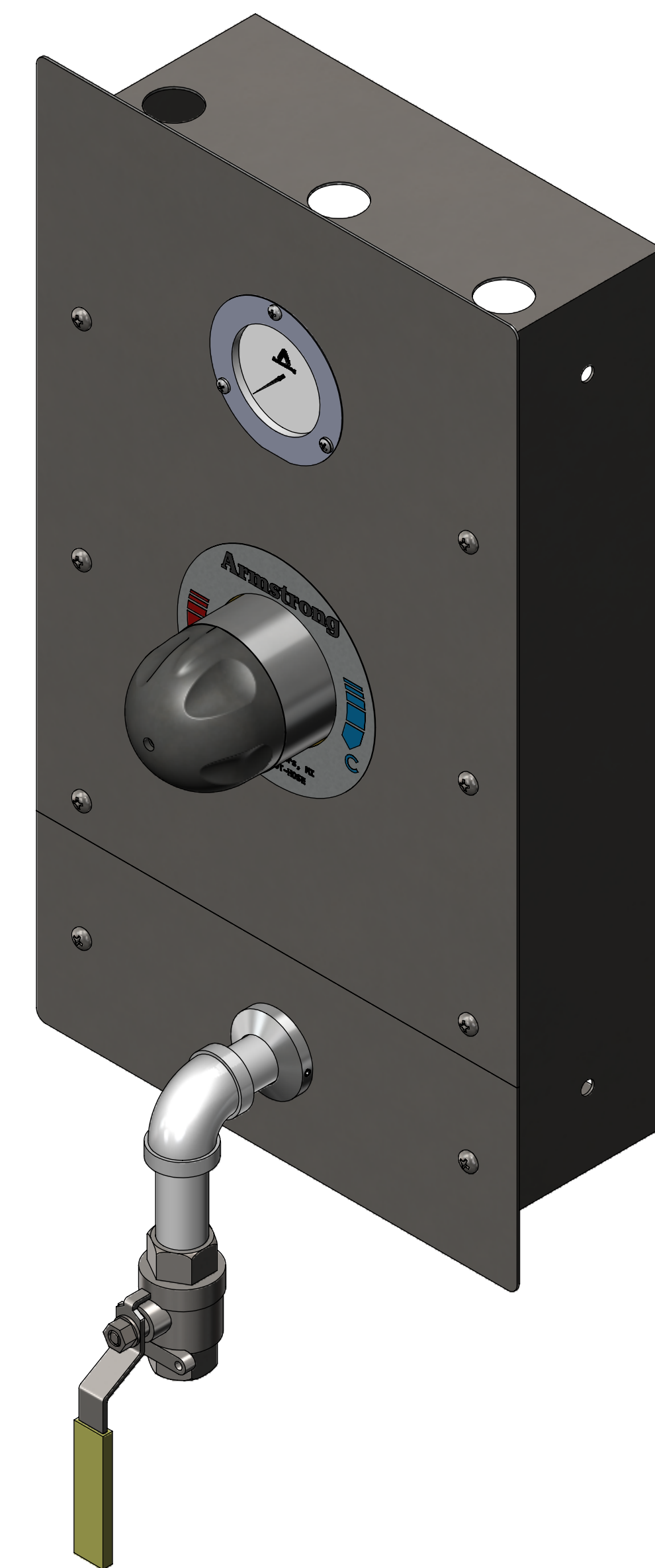
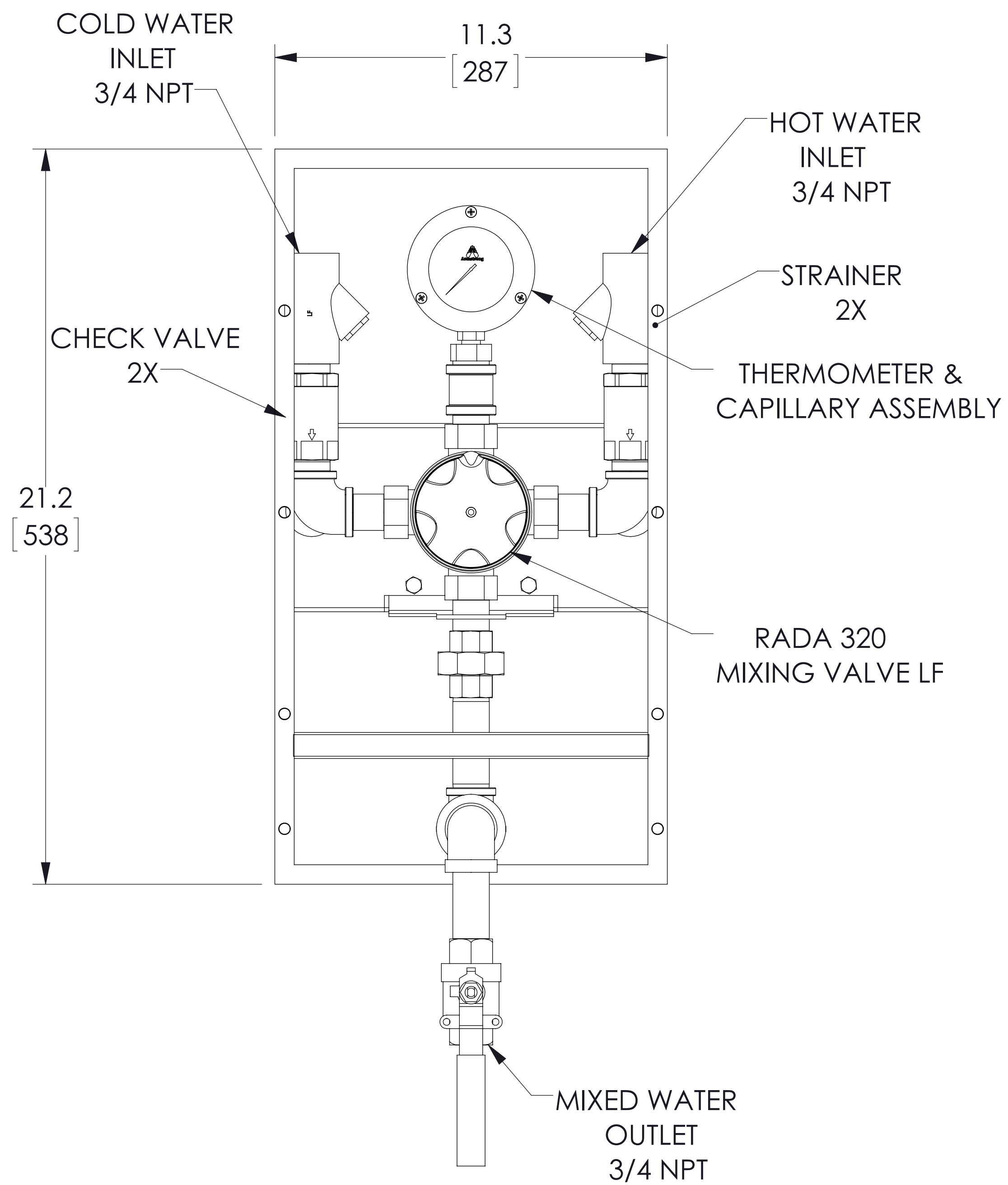

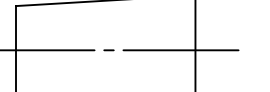



FRONT VIEW
(PANELS REMOVED FOR CLARITY)



NOTE:

1. ALL DIMENSIONS +/- .03[8] UNLESS STATED OTHERWISE.

 													
DO NOT SCALE DRAWING													
TOLERANCES UNLESS OTHERWISE SPECIFIED													
DIMENSIONING ENGLISH [mm]													
FRACTIONAL ± 1/64													
ANGULAR: ± 2													
DECIMAL	<table border="1"> <tr> <td>.XXX</td> <td>± .0005</td> <td>----</td> </tr> <tr> <td>.XXX</td> <td>± .005</td> <td>.010</td> </tr> <tr> <td>.XX</td> <td>± .015</td> <td>.10</td> </tr> <tr> <td>.X</td> <td>-----</td> <td>.3</td> </tr> </table>	.XXX	± .0005	----	.XXX	± .005	.010	.XX	± .015	.10	.X	-----	.3
.XXX	± .0005	----											
.XXX	± .005	.010											
.XX	± .015	.10											
.X	-----	.3											

		NAME	DATE
		DRAWN Kyle Bradford	01/02/2014
RELEASED			

ARMSTRONG INTERNATIONAL Copyright © 2010 ARMSTRONG INTERNATIONAL, INC.	
3401 CABINET ASSEMBLY	
MATERIAL	SHEET 1 OF 3
CN41420	REV B DWG END58637