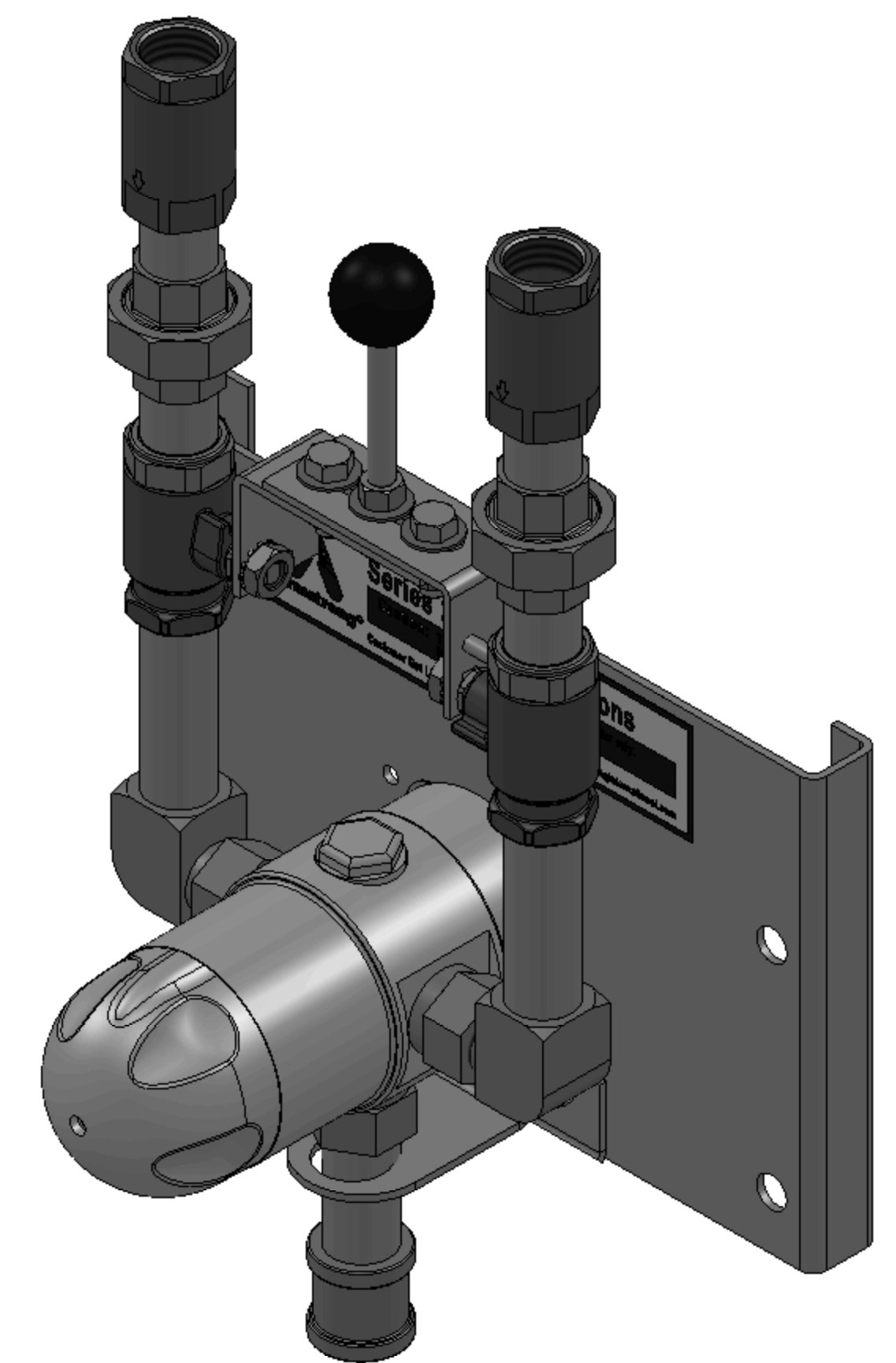
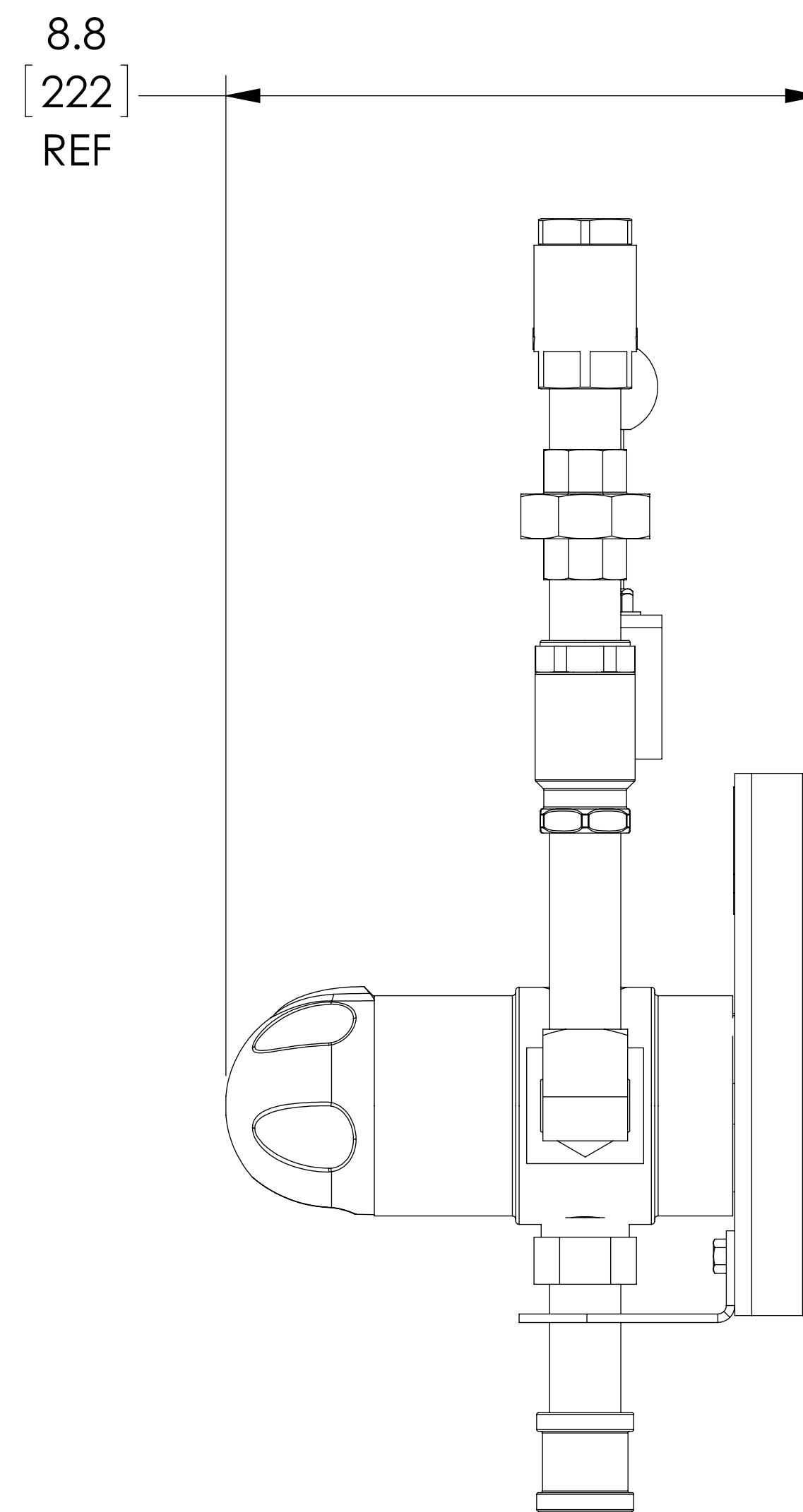
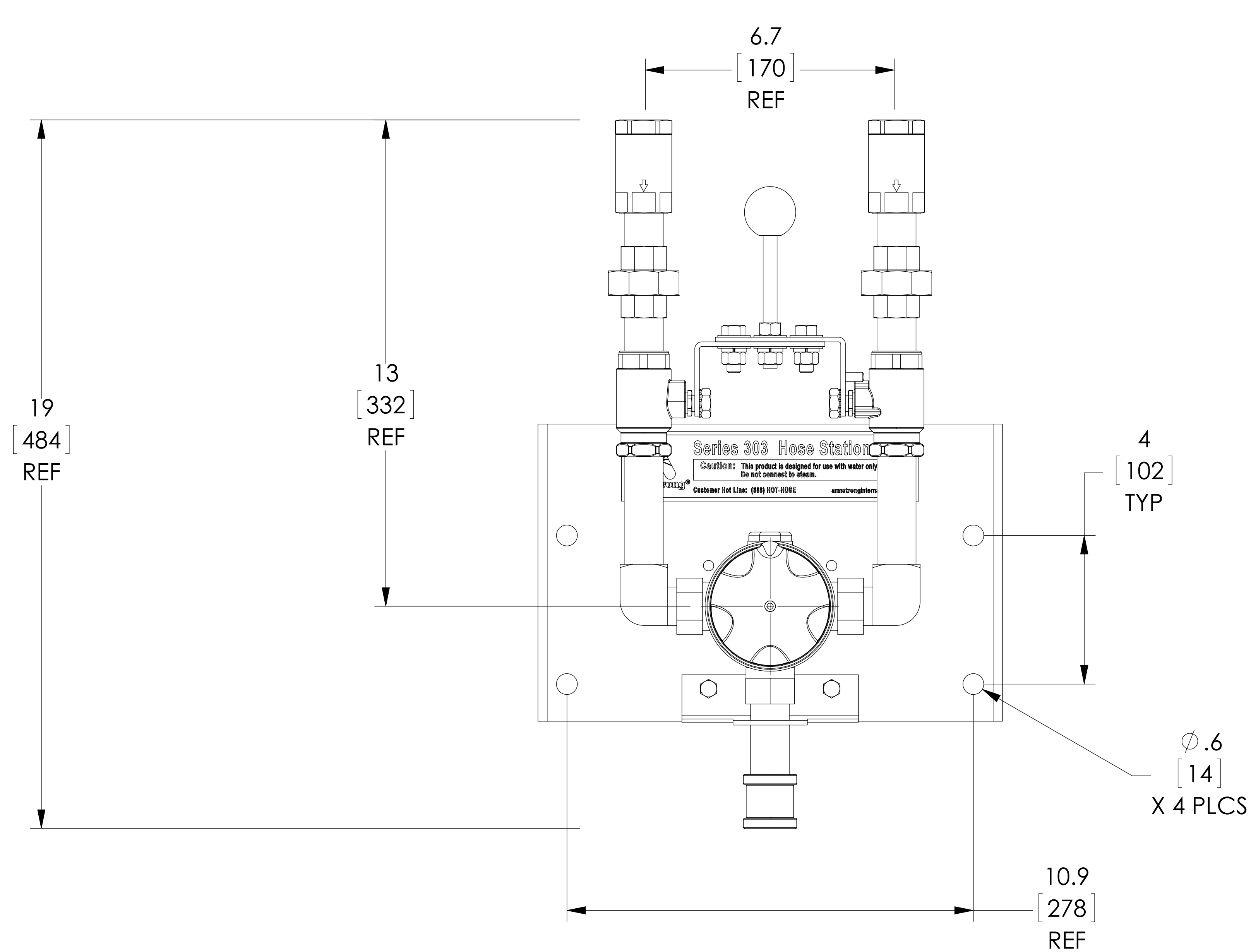


ITEM	MATERIAL
MIXING VALVE BODY	BRASS
COMPONENTS	BRASS
BACKPLATE / RACK	STAINLESS STEEL
HOSE	N/A
NOZZLE	N/A
LOCATION	CONNECTION
COLD WATER IN CONNECTION	3/4" NPT
HOT WATER IN CONNECTION	3/4" NPT
OUTLET	3/4" NPT



DO NOT SCALE DRAWING	
TOLERANCES UNLESS OTHERWISE SPECIFIED	
DIMENSIONING ENGLISH [mm]	
FRACTIONAL ± 1/64	
ANGULAR: ± 2	
DECIMAL	IN. MM
.XXX ± .005	.010
.XX ± .015	.10
.X	.3

NAME	DATE
DRAWN	CFG
RELEASED	

ARMSTRONG INTERNATIONAL Copyright © 2010 ARMSTRONG INTERNATIONAL, INC.	
3031 3/4 NPT BRS STANDARD	
C-055896	
MATERIAL	SHEET 1 OF 1
REV	DWG. D24715