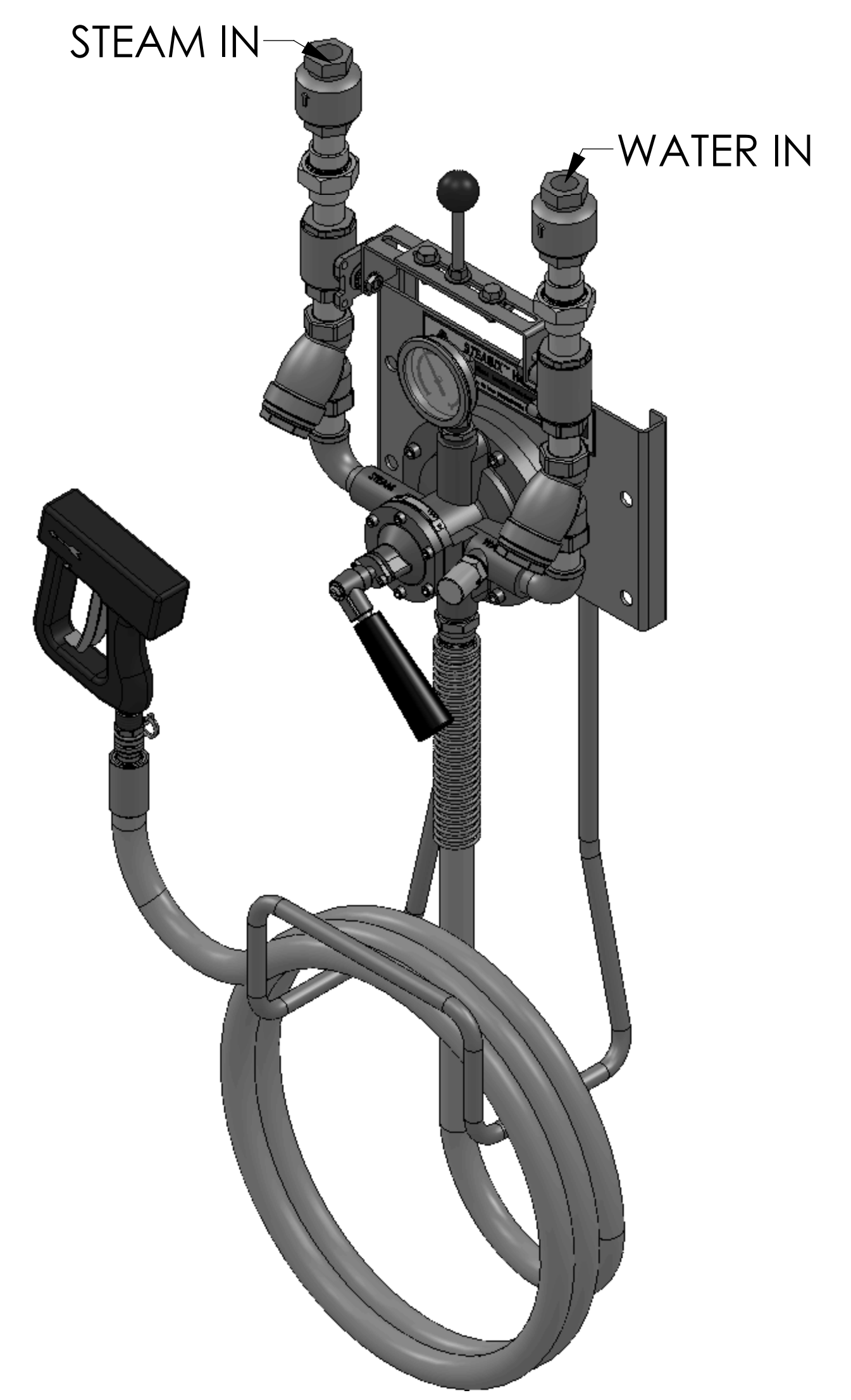
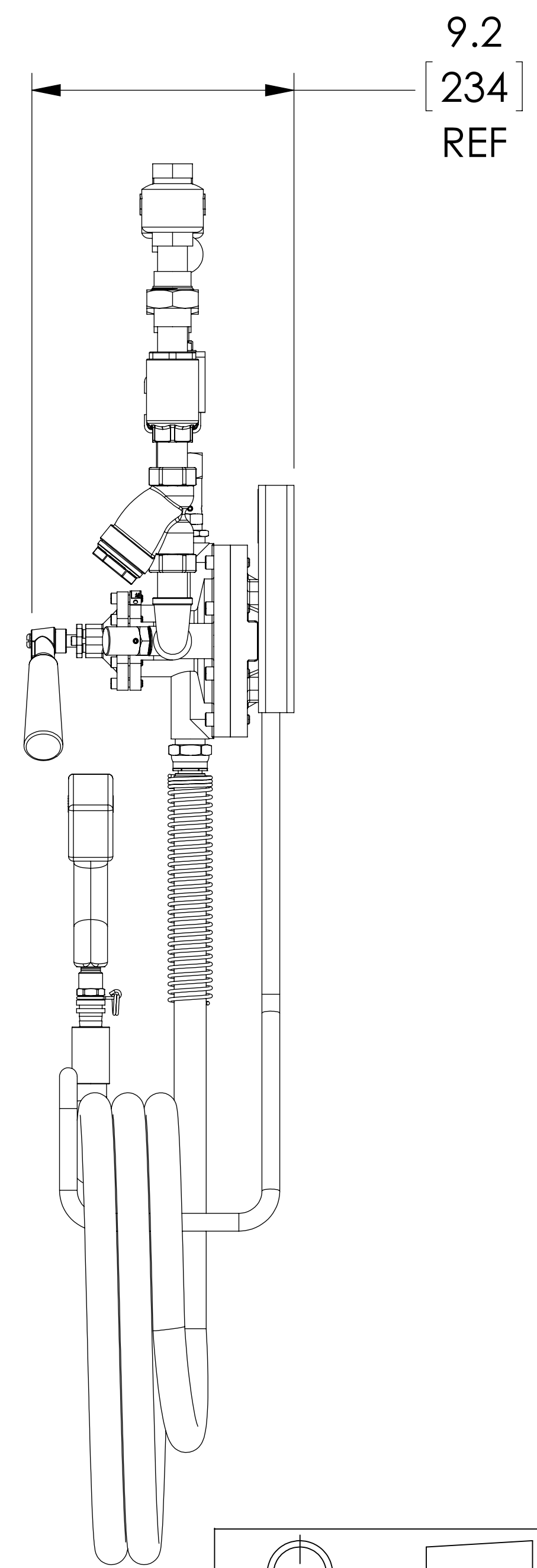
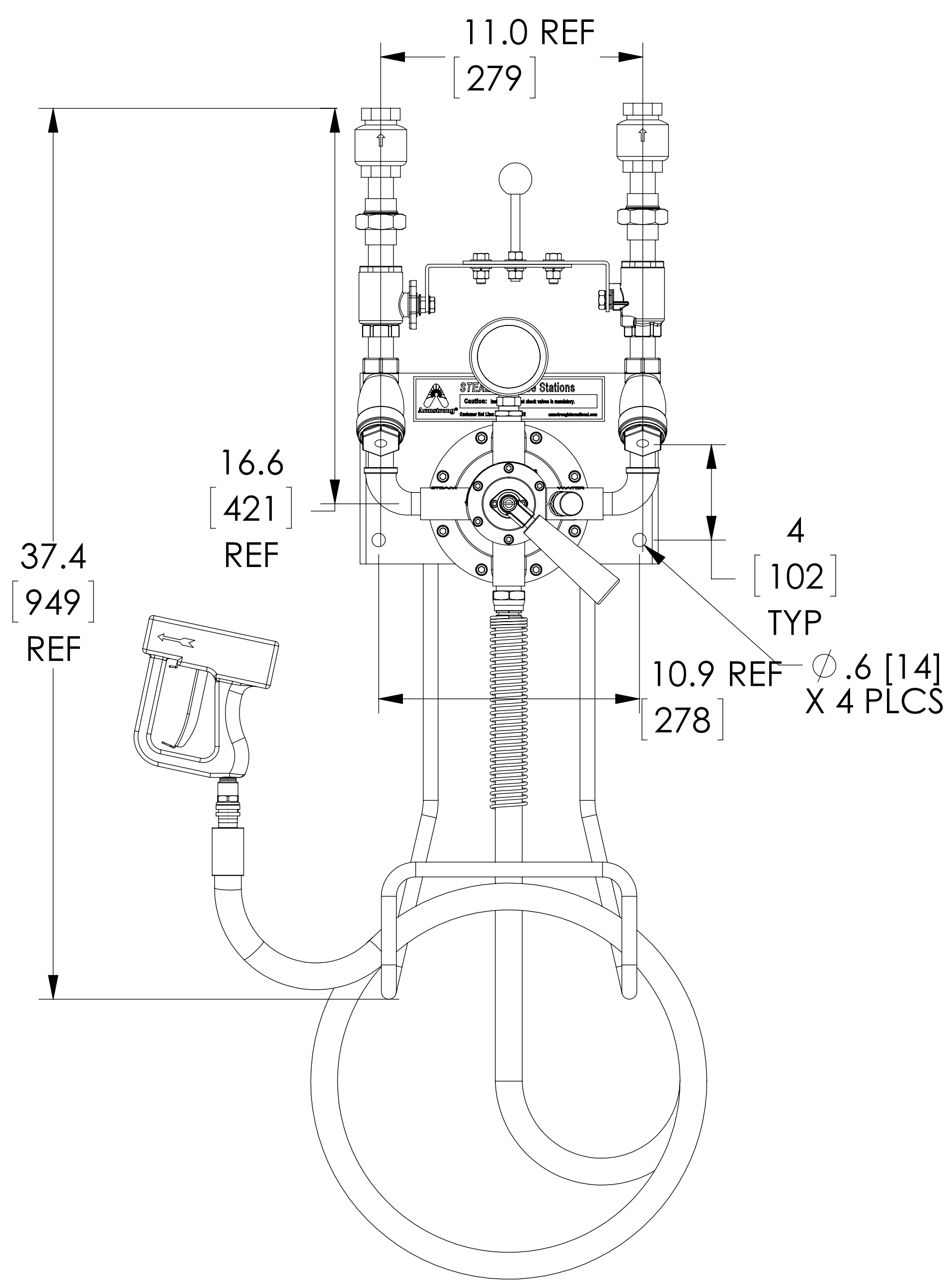
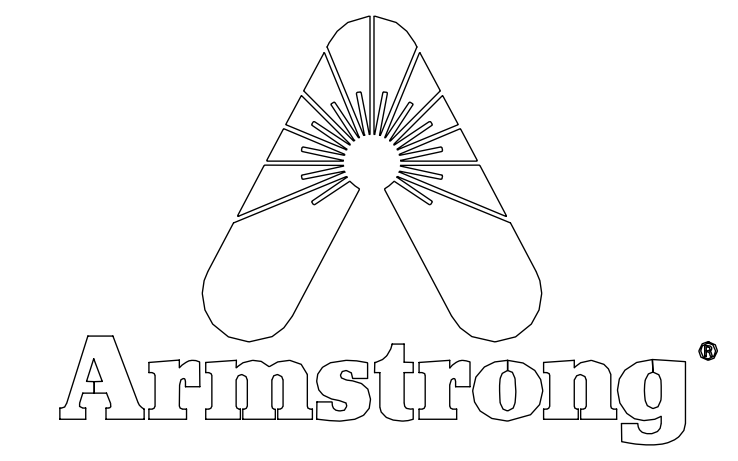


ITEM	MATERIAL
MIXING VALVE BODY	STAINLESS STEEL
COMPONENTS	STAINLESS STEEL
BACKPLATE / RACK	STAINLESS STEEL
HOSE	YELLOW (190F [88C])
NOZZLE	STAINLESS STEEL
LOCATION	CONNECTION
STEAM IN CONNECTION	3/4" NPT
WATER IN CONNECTION	3/4" NPT
OUTLET	3/4" NPT



		ARMSTRONG INTERNATIONAL Copyright © 2010 ARMSTRONG INTERNATIONAL, INC.																					
DO NOT SCALE DRAWING TOLERANCES UNLESS OTHERWISE SPECIFIED DIMENSIONING ENGLISH [mm]		2033SS 3/4 NPT SS PREMIUM W/HOSE RACK 25 FT YEL HOSE 25 FT TRIGGERGUARD SS																					
FRACTIONAL: $\pm 1/64$ ANGULAR: ± 2		C-055882																					
<table border="1"> <tr> <td>DECIMAL</td> <td>.XXXX</td> <td>$\pm .0005$</td> <td>MM</td> </tr> <tr> <td></td> <td>.XXX</td> <td>$\pm .005$</td> <td>.010</td> </tr> <tr> <td></td> <td>.XX</td> <td>$\pm .015$</td> <td>.10</td> </tr> <tr> <td></td> <td>.X</td> <td>-----</td> <td>.3</td> </tr> </table>		DECIMAL	.XXXX	$\pm .0005$	MM		.XXX	$\pm .005$.010		.XX	$\pm .015$.10		.X	-----	.3	<table border="1"> <tr> <td>NAME</td> <td>DATE</td> </tr> <tr> <td>CFG</td> <td></td> </tr> </table>	NAME	DATE	CFG		MATERIAL SHEET 1 OF 1
DECIMAL	.XXXX	$\pm .0005$	MM																				
	.XXX	$\pm .005$.010																				
	.XX	$\pm .015$.10																				
	.X	-----	.3																				
NAME	DATE																						
CFG																							
<table border="1"> <tr> <td>RELEASED</td> <td></td> </tr> </table>		RELEASED		<table border="1"> <tr> <td>REV A</td> <td>DWG. D31130</td> </tr> </table>	REV A	DWG. D31130																	
RELEASED																							
REV A	DWG. D31130																						