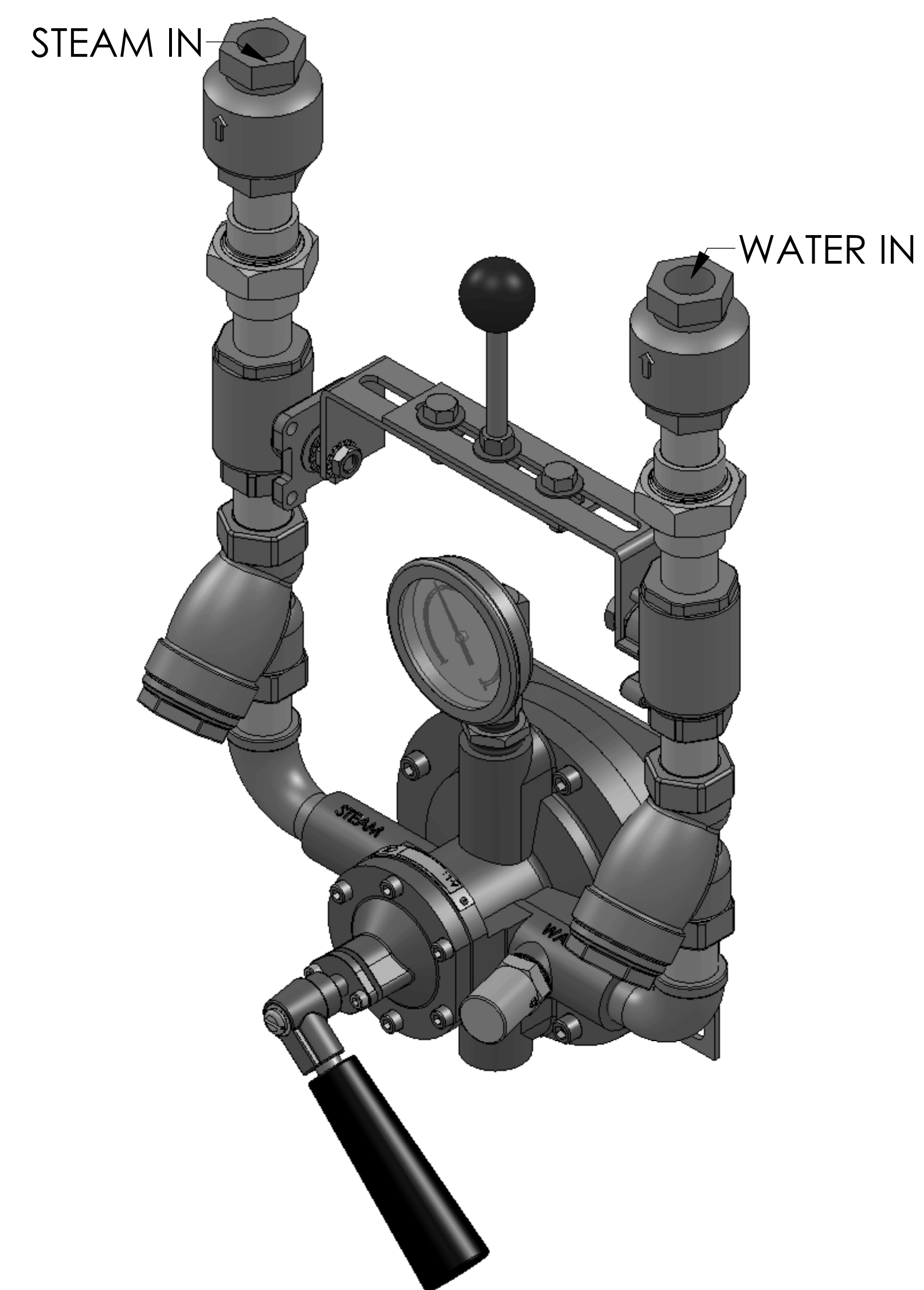
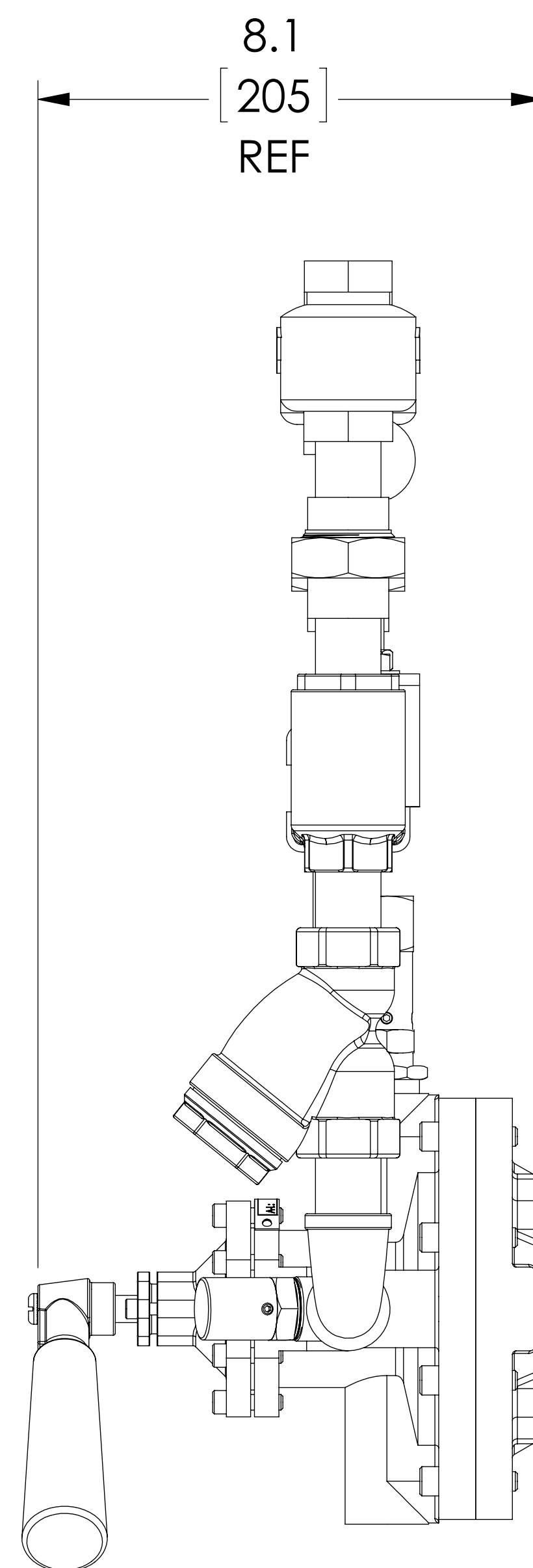
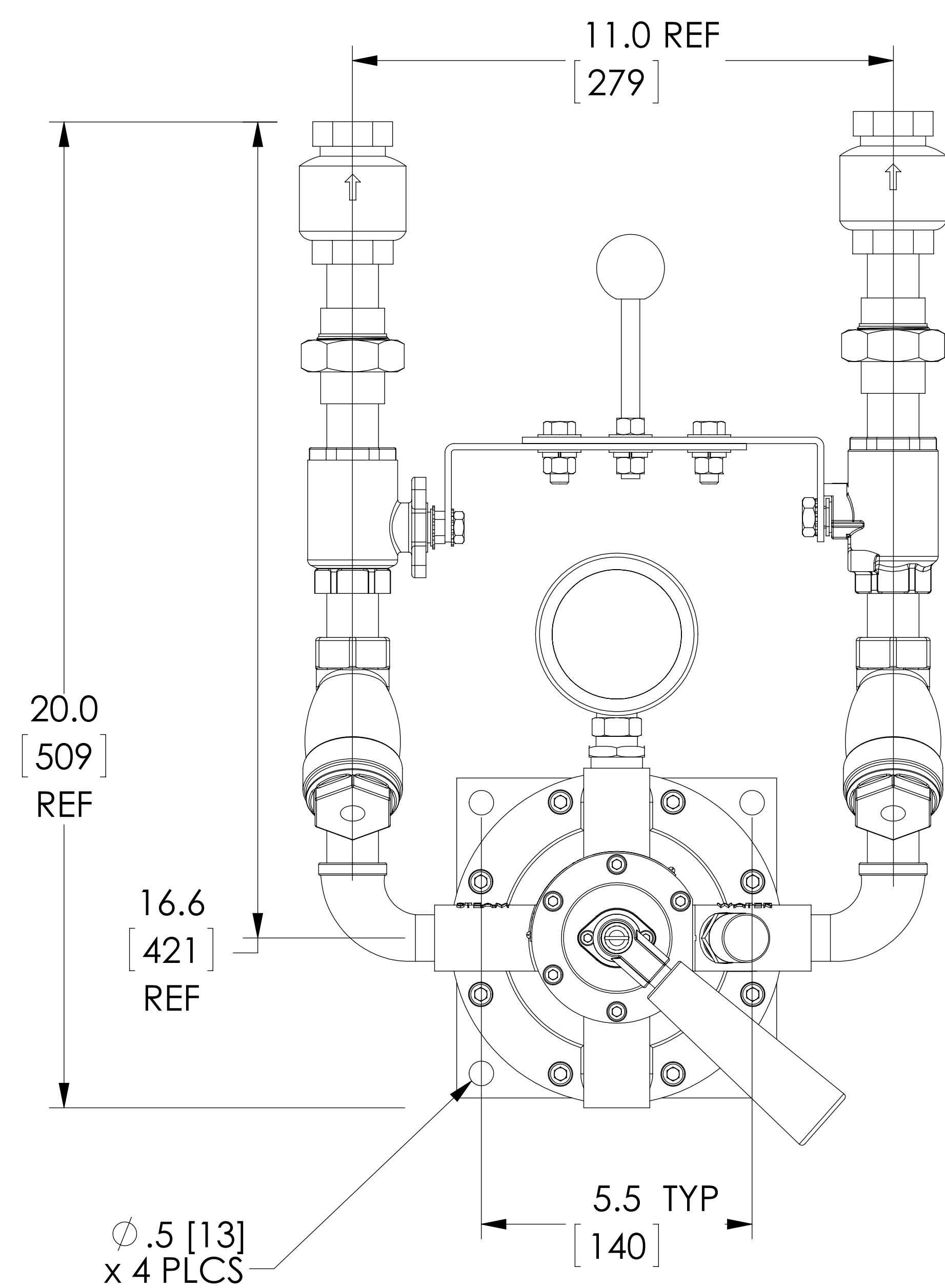


ITEM	MATERIAL
MIXING VALVE BODY	STAINLESS STEEL
COMPONENTS	STAINLESS STEEL
BACKPLATE / RACK	STAINLESS STEEL
HOSE	N/A
NOZZLE	N/A
LOCATION	CONNECTION
STEAM IN CONNECTION	3/4" NPT
WATER IN CONNECTION	3/4" NPT
OUTLET	3/4" NPT



DO NOT SCALE DRAWING		
TOLERANCES UNLESS OTHERWISE SPECIFIED		
DIMENSIONING ENGLISH [mm]		
FRACTIONAL $\pm 1/64$		
ANGULAR: ± 2		
DECIMAL	IN.	MM
.XXXX \pm	.0005	----
.XXX \pm	.005	.010
.XX \pm	.015	.10
.X	-----	.3

		NAME	DATE
		DRAWN	CFG
RELEASED			

ARMSTRONG INTERNATIONAL Copyright © 2010 ARMSTRONG INTERNATIONAL, INC.	
2031SS 3/4 NPT SS PREMIUM	
C-055880	
MATERIAL	SHEET 1 OF 1
REV A	DWG. D31128