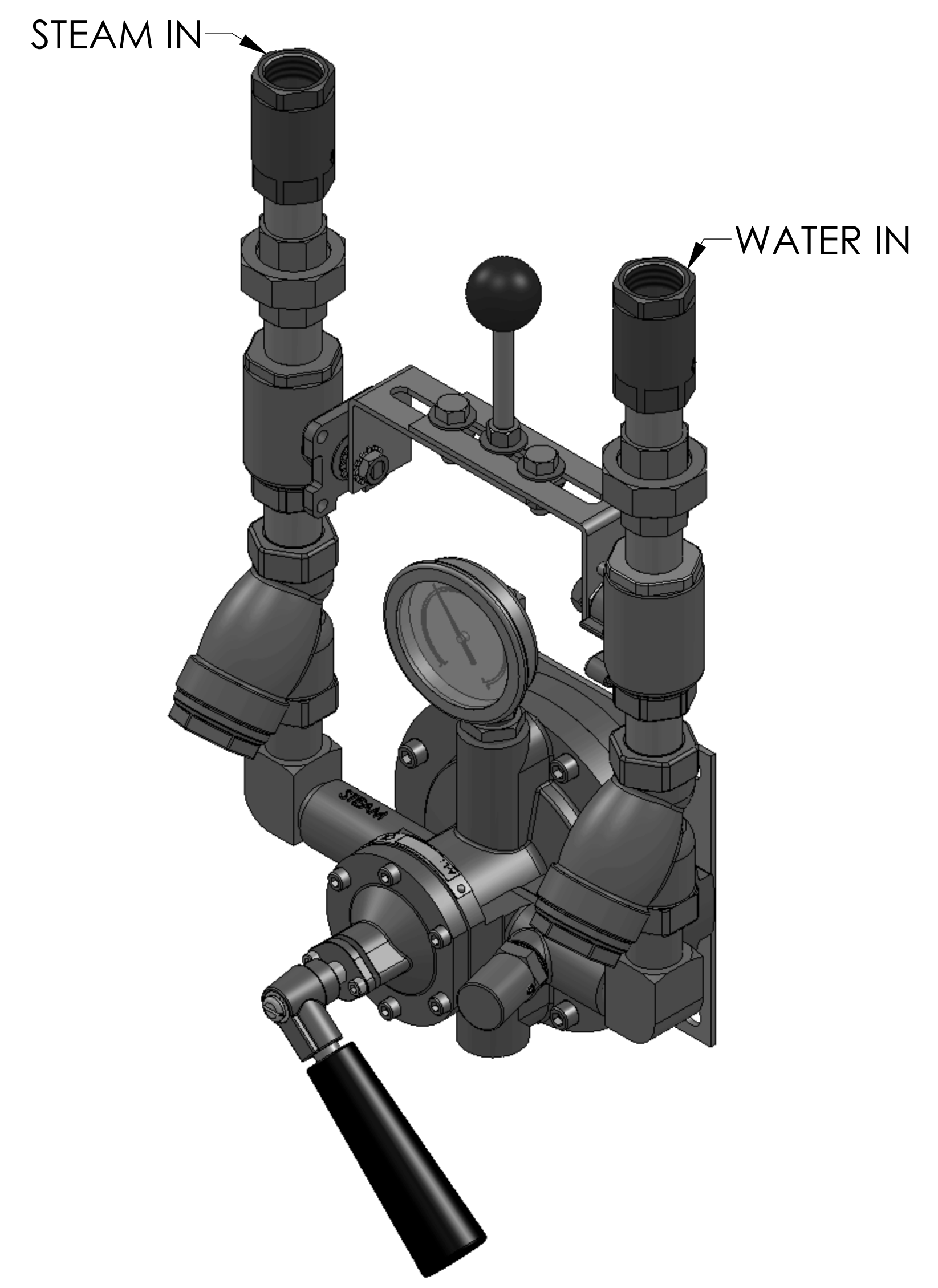
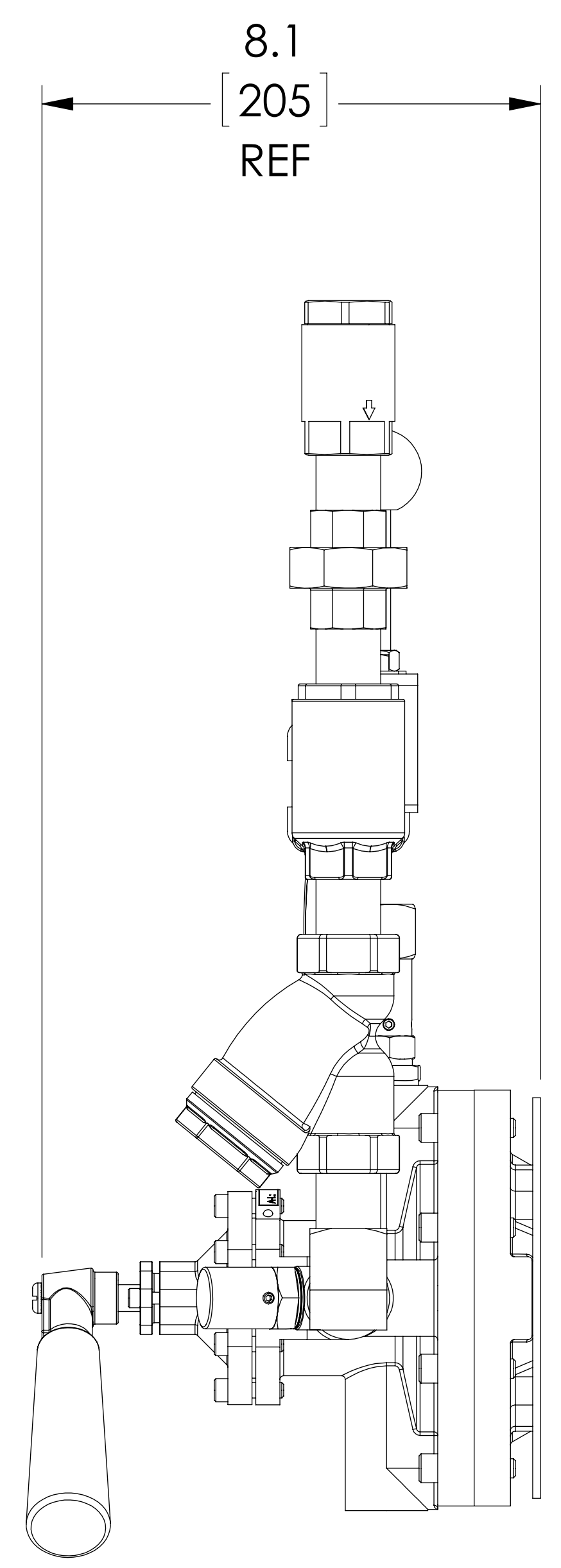
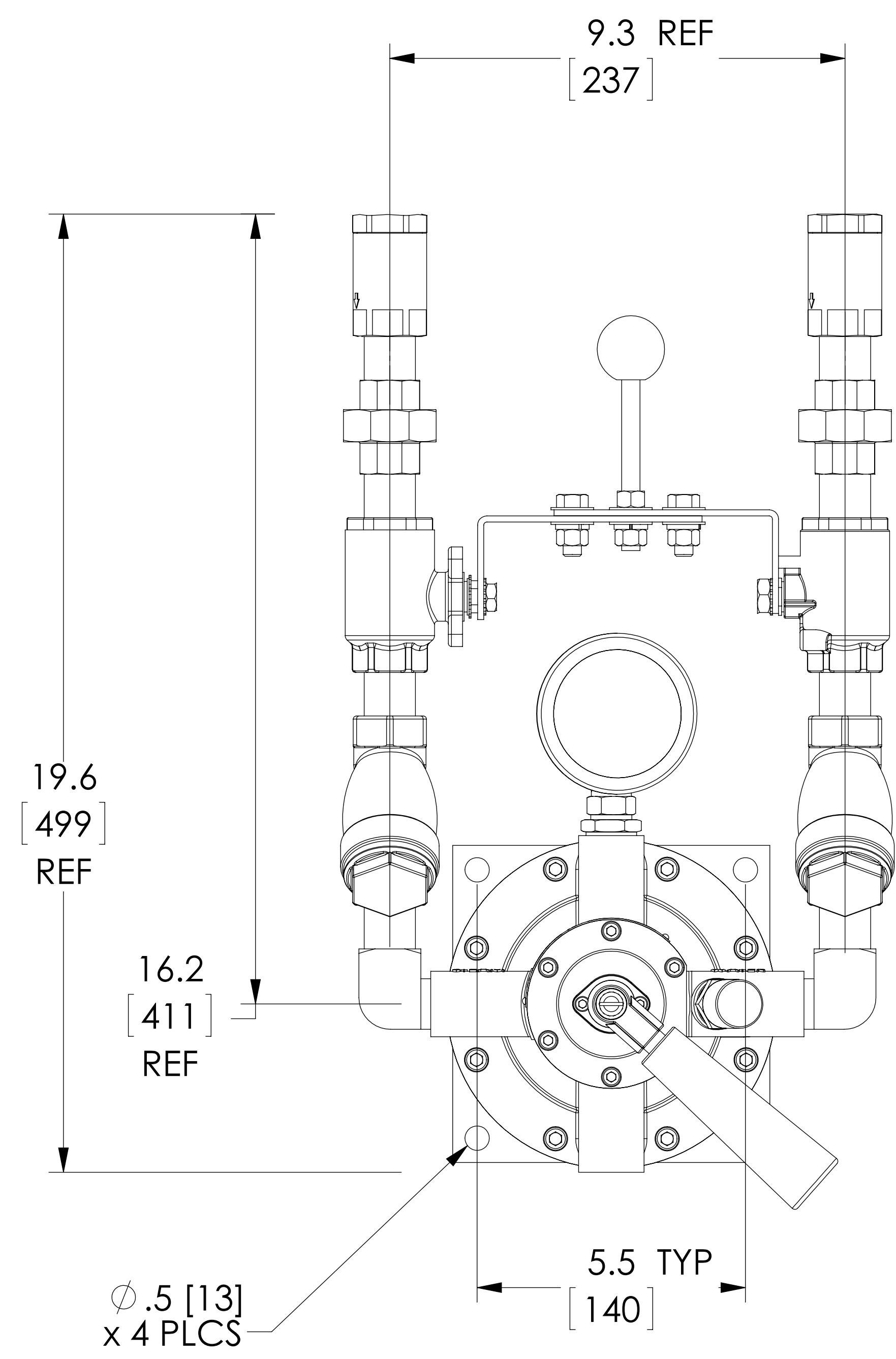


ITEM	MATERIAL
MIXING VALVE BODY	BRASS/STAINLESS STEEL
COMPONENTS	BRASS
BACKPLATE / RACK	STAINLESS STEEL
HOSE	N/A
NOZZLE	N/A
LOCATION	CONNECTION
STEAM IN CONNECTION	3/4" NPT
WATER IN CONNECTION	3/4" NPT
OUTLET	3/4" NPT



DO NOT SCALE DRAWING TOLERANCES UNLESS OTHERWISE SPECIFIED	
DIMENSIONING ENGLISH [mm]	
FRACTIONAL	± 1/64
ANGULAR	± 2
DECIMAL	.XXXX ± .0005 .XXX ± .005 .XX ± .015 .X ± .3
	IN. MM

NAME	DATE
DRAWN	CFG
RELEASED	

ARMSTRONG INTERNATIONAL Copyright © 2010 ARMSTRONG INTERNATIONAL, INC.	
2031P 3/4 NPT BRS PREMIUM	
C-055845	
MATERIAL	SHEET 1 OF 1
REV A	DWG. D16939