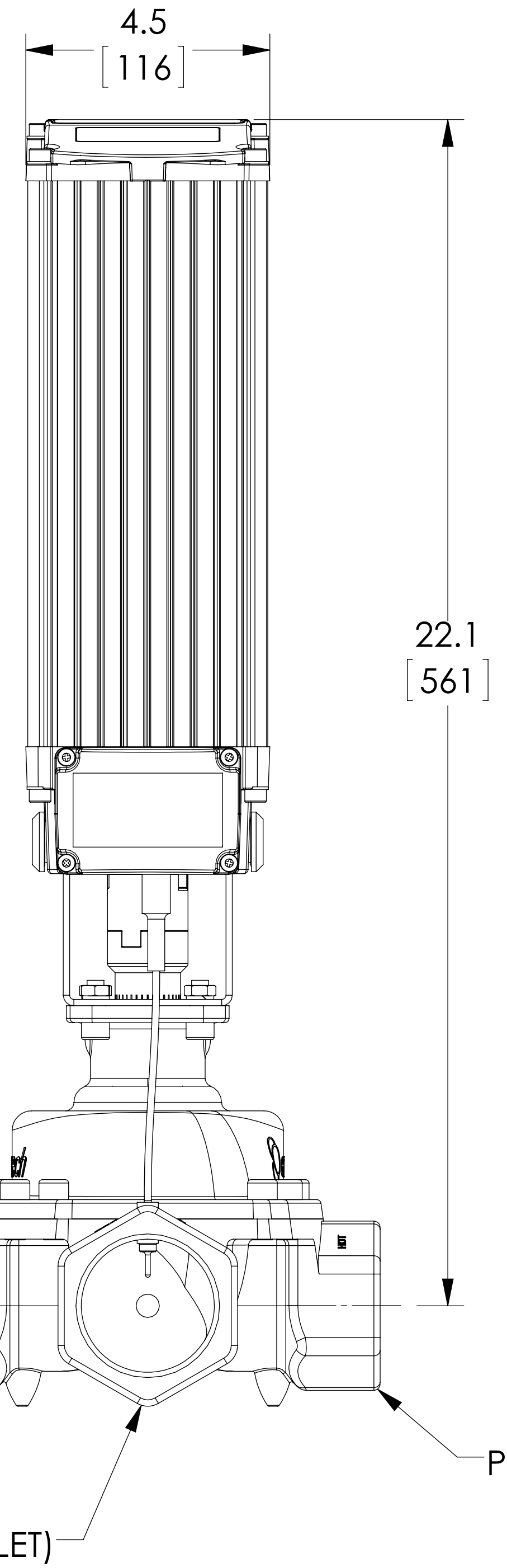


SEE NOTE\*

1/8" NPS SENSOR PORT



PORT A (COLD INLET)

PORT C (OUTLET)

PORT B (HOT INLET)

\*NOTE:  
ALLOW ACCESS FOR WIRING  
SCREW TERMINAL AND CABLE ENTRY  
(SEE INSTALLATION INSTRUCTIONS)

DO NOT SCALE DRAWING	
TOLERANCES UNLESS OTHERWISE SPECIFIED	
DIMENSIONING ENGLISH [mm]	
FRACTIONAL	± 1/64
ANGULAR:	± 2
DECIMAL	.XXX ± .005
	.XX ± .015
	.X ± .3

		NAME
DRAWN	Shane Russell	05/03/2012
RELEASED		

ARMSTRONG INTERNATIONAL Copyright © 2010 ARMSTRONG INTERNATIONAL, INC.	
MODEL E50W	
MATERIAL	
REV	DWG
SHEET 1 OF 1 MODEL E50W	