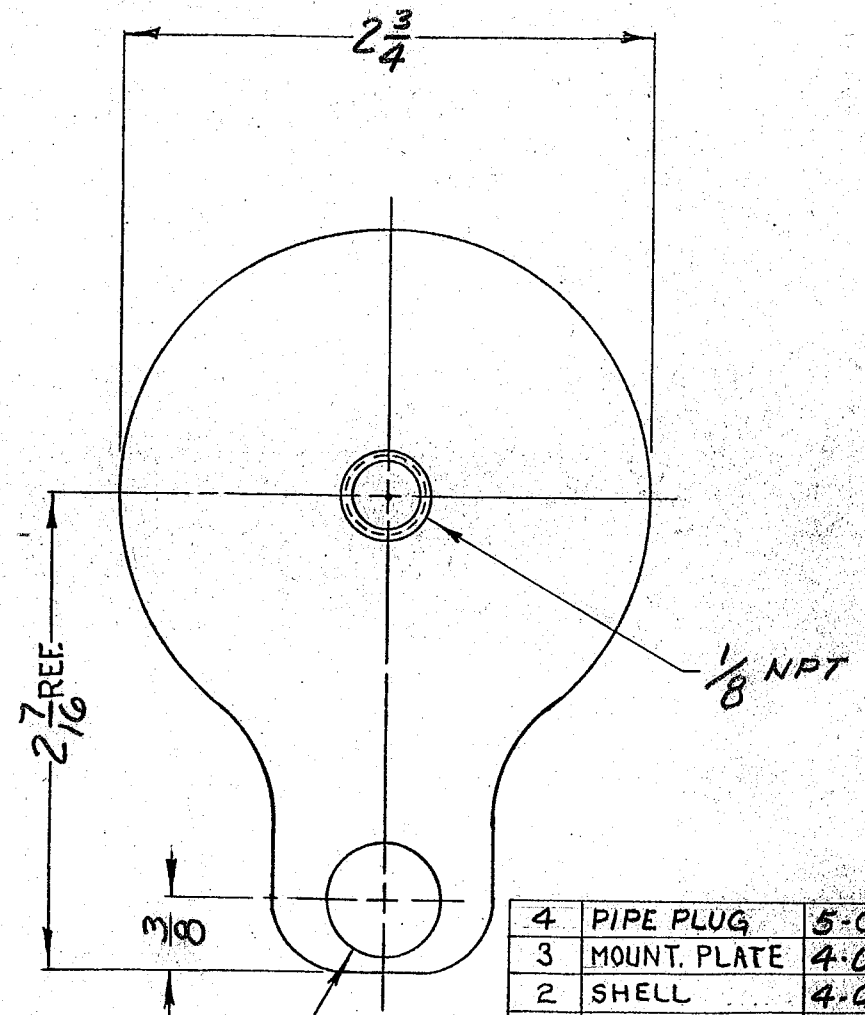
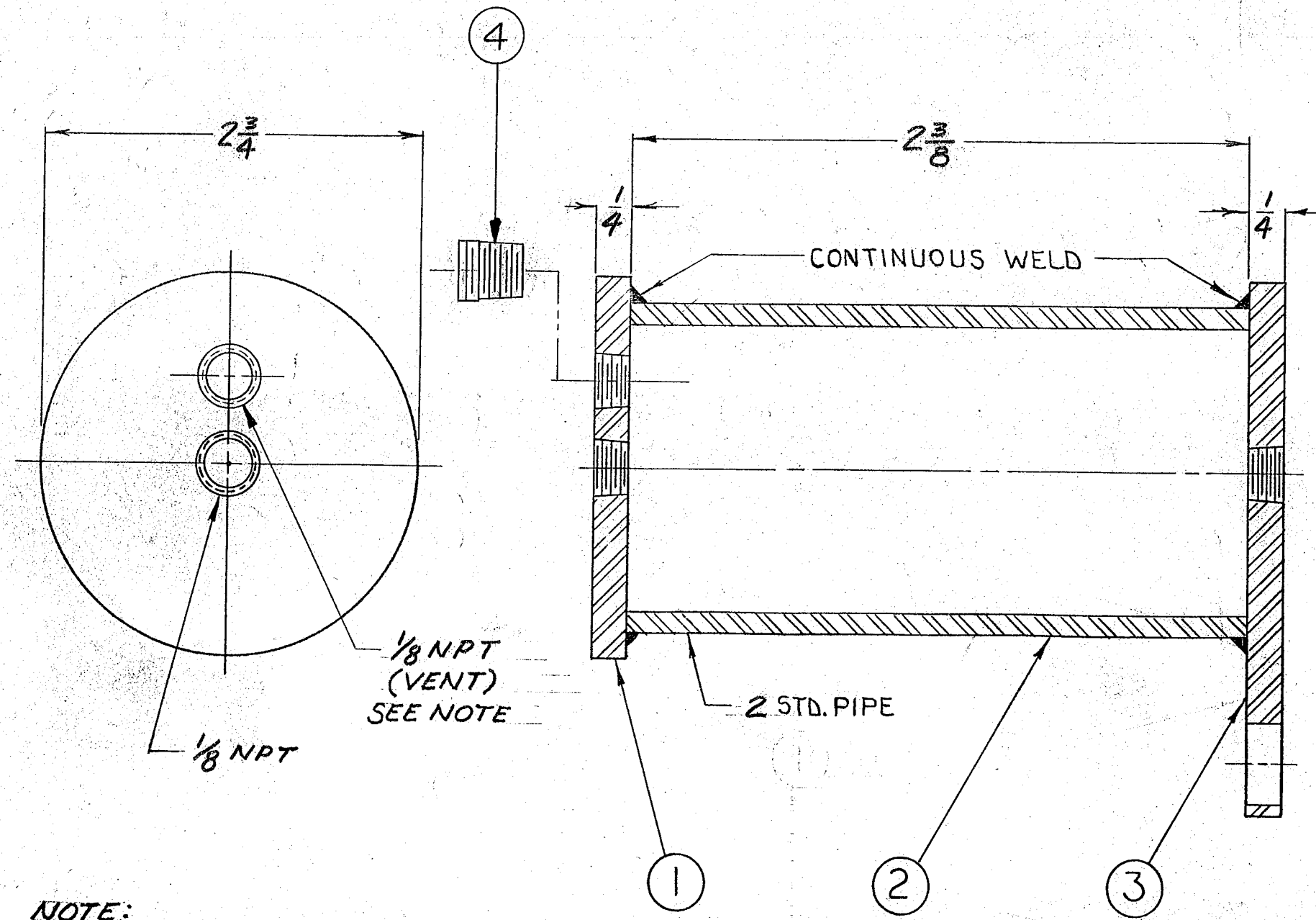


AN ALLOWANCE OF $\pm .010$ " ON FINISHED FRACTIONAL DIMENSIONS (DRILL AND COMMERCIAL STOCK SIZES EXCEPTED) $\pm .001$ " ON DECIMALS EXCEPT WHERE OTHERWISE SPECIFIED. ALL THREADS TO FIT OUR STANDARD GAUGES.

DATE	CHANGES
9-26-77	NEW DRAWING W/O CHANGES
1-21-81	ADDED 1/8 NPT VENT & PLUG
B 3-17-81	5-03778-0 WAS 4-03769-0



NOTE:
VENT HOLE TO BE POSITIONED OPPOSITE THE MOUNTING HOLE AS SHOWN

PC NO	PART NAME	PART NO.	QTY.
4	PIPE PLUG	5-03778-0	1
3	MOUNT. PLATE	4-02662-0	1
2	SHELL	4-04607-0	1
1	END PLATE	4-03468-0	1

SPENCE ENGINEERING COMPANY, INC.
WALDEN, NEW YORK

CONDENSATION CHAMBER
25/64 HOLE (A)

DR. BY: GRT	MATERIAL: STL.
TR. BY:	PATTERN NO.
SCALE: ~	DATE: 9/26/77
APPROVED: [Signature]	DATE:
DR. NO. 7-434	