

TYPE D34 WATER PRESSURE REDUCING VALVE

SIZES 1" – 6"
PRESSURES to 200 PSIG at 200°F

- Self-contained
- Closes Tight on Dead-end Shutoff
- Fast Acting for Rapid Changes in Flow
- Sediment Settles away from Control Ports when Installed Horizontally
- ANSI/FCI 70-2 Class VI Shutoff

**TYPE D34
WATER PRESSURE REDUCING VALVE**

APPLICATION DATA

- Dead-end water service where flow is intermittent and changes rapidly
- Flushometers
- Snap cocks

VALVE RATINGS

Valve Ends ASME/ANSI	Pressure PSIG (bar)	Temperature °F (°C)
-------------------------	------------------------	------------------------

CAST IRON

B16.4 Class 250 NPT	200 (13.8)	@ 200 (93)
B16.1 Class 125 Flanged	165 (11.4)	@ 200 (93)
B16.1 Class 250 Flanged	200 (13.8)	@ 200 (93)

SPRING RANGES (psi)

10-40	30-80
-------	-------

Canadian Registration # OC 0591.9C

Installation Tip: Add Uniflex Pipe Coupling for ease of maintenance
SEE PAGE 374

SIZING INFO
PAGE 108

RATED FLOW COEFFICIENTS (Cv)

	VALVE SIZE									
	1	1¼	1½	2	2½	3	4	5	6	
Cv	3.3	7.5	10.4	14.4	21.6	32	52	84	118	

TYPE D34 WATER PRESSURE REDUCING VALVE

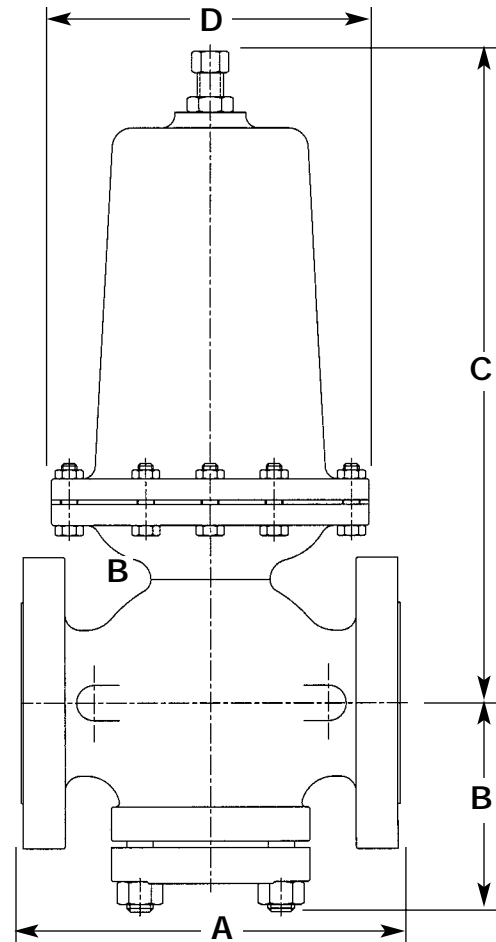
SPECIFICATION

The Valve shall be adjustable, direct operated, packless, diaphragm actuated, balanced and single seated. The valve shall close tight on dead end shutoff and shall maintain a discharge pressure which will not vary more than 1 psig for each 10 psig inlet pressure variation. Delivery pressure variations from zero flow to rated flow shall not exceed 15% of the maximum spring pressure rating. The valve shall be suitable for 200°F service temperature.

Valve body shall be cast iron. Sizes 2-1/2" and larger shall have flanged ends. Trim shall be stainless steel. Valve shall be equipped with a reversible composition disc and diaphragms and discs shall be nitrile. All working parts shall be easily accessible without removal of valve from the line.

MATERIALS OF CONSTRUCTION

Body	Cast Iron ASTM 126 Cl. B
Stem	303 St. Stl. ASTM 582 Cond. A
Disc	304 St. Stl. ASTM 276 Cond. A
Seat	304 St. Stl. ASTM 276 Cond. A
Gasket	Non-asbestos
Diaphragm	Hycar
Spring	Steel



**TYPE D34
WATER PRESSURE REDUCING VALVE**

DIMENSIONS inches (mm) AND WEIGHTS pounds (kg)

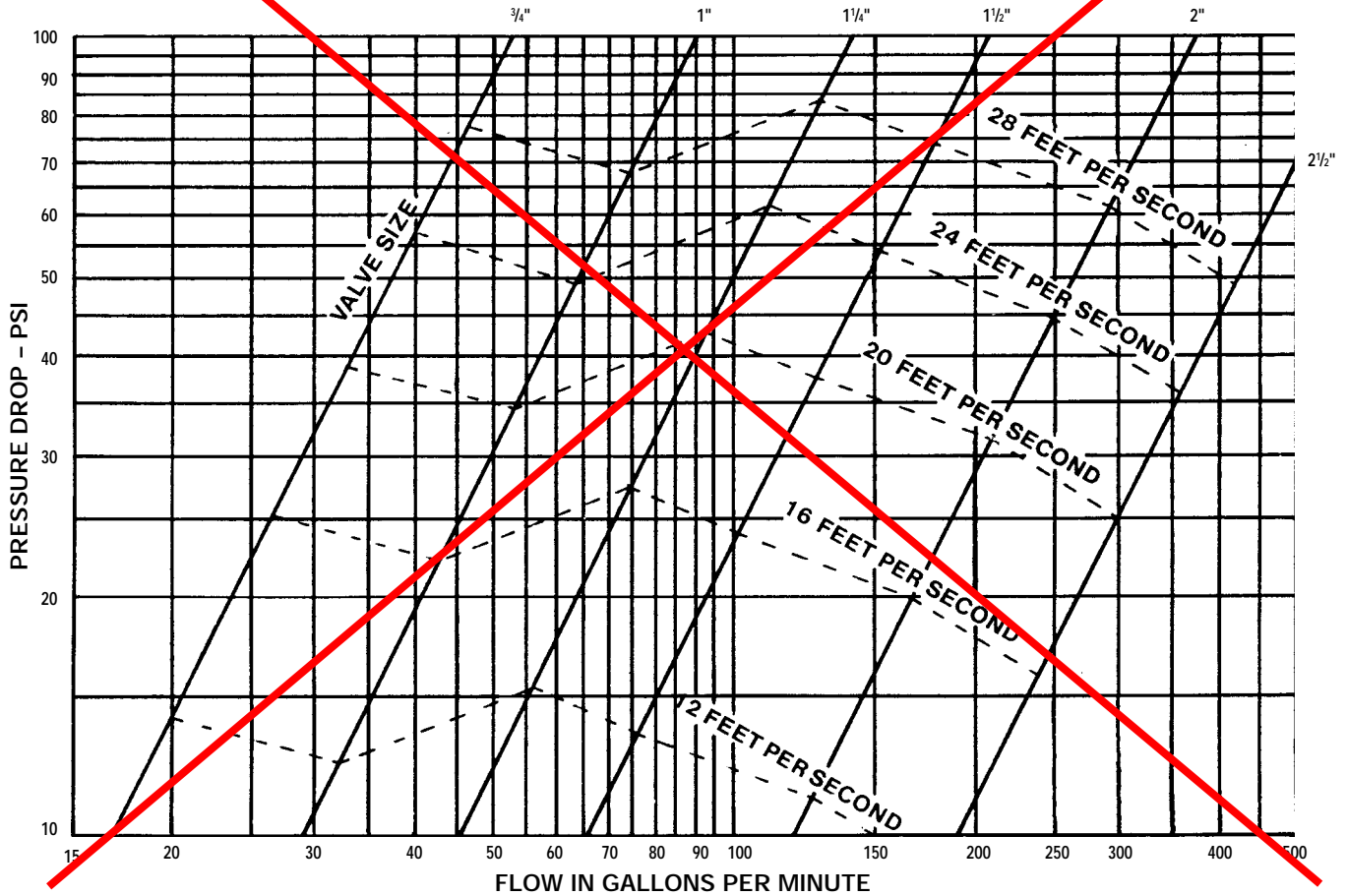
SIZE	FACE TO FACE			OTHER DIMENSIONS			APPROX. WT.		
	A			B	C	D	APPROX. WT.		
	ANSI NPT	ANSI 125	ANSI 250				ANSI NPT	ANSI 125	ANSI 250
1 (25)	5 ³ / ₈ (136)	—	—	3 ³ / ₈ (86)	12 ¹ / ₈ (308)	5 ¹ / ₂ (140)	22 (10)	—	—
1 ¹ / ₄ (32)	6 ¹ / ₂ (165)	—	—	3 ⁵ / ₈ (92)	12 ¹ / ₂ (316)	5 ¹ / ₂ (140)	24 (11)	—	—
1 ¹ / ₂ (38)	7 ¹ / ₄ (184)	—	—	4 ¹ / ₄ (108)	13 ³ / ₈ (340)	6 (152)	34 (15)	—	—
2 (51)	7 ¹ / ₂ (191)	8 ¹ / ₂ (216)	9 (228)	4 ⁵ / ₈ (117)	14 ³ / ₄ (375)	6 ³ / ₄ (171)	44 (20)	51 (23)	57 (26)
2 ¹ / ₂ (64)	—	9 ³ / ₈ (238)	10 (254)	5 ¹ / ₂ (140)	18 ³ / ₄ (476)	8 (203)	—	78 (35)	89 (40)
3 (76)	—	10 (254)	10 ³ / ₄ (273)	6 (152)	21 ³ / ₄ (552)	9 (229)	—	108 (49)	128 (58)
4 (102)	—	11 ⁷ / ₈ (302)	12 ¹ / ₂ (318)	6 ⁵ / ₈ (168)	26 ⁵ / ₈ (676)	11 ¹ / ₄ (283)	—	198 (90)	225 (102)
5 (127)	—	13 ⁵ / ₈ (346)	14 ¹ / ₂ (268)	7 ⁵ / ₈ (194)	33 ¹ / ₈ (841)	14 ¹ / ₄ (362)	—	352 (160)	394 (252)
6 (152)	—	15 ¹ / ₈ (384)	16 (406)	9 ¹ / ₈ (232)	35 ⁷ / ₈ (911)	16 (406)	—	500 (227)	550 (250)

RATED WATER CAPACITY CHART

TYPE N6 DIFFERENTIAL PRESSURE VALVE

(Specific Gravity of 1)

VALVE INFO
PAGE 98



RATED WATER CAPACITY TABLE

TYPE D34 VALVE

Water in GPM

PRESSURE DROP-psig	VALVE SIZE (inches)								
	1	1 1/4	1 1/2	2	2 1/2	3	4	5	6
5	7.4	17	23	32	48	71	116	188	263
10	10	24	33	45	68	101	164	266	373
15	13	29	40	55	84	124	201	325	457
20	15	33	47	64	97	143	233	376	528
30	18	41	51	79	118	175	285	460	646
50	23	53	74	102	153	226	368	594	834
75	29	65	90	125	187	277	450	727	1022
100	33	75	104	144	216	320	520	840	1180
125	37	84	116	161	241	358	581	939	1320
150	40	92	127	176	265	392	637	1029	1445
175	44	100	138	190	285	423	688	1111	1560