

# Digital-Flo Steam to Water PHE Installation Details Form (IDF)



We are Unable to quote or enter purchase orders into the system or guarantee delivery dates without a technically accurate and fully completed Installations Details Form (IDF).

## Section 1 - Customer Contact Details / Information for Quotation

Customer : \_\_\_\_\_  
Contact : \_\_\_\_\_  
Address : \_\_\_\_\_  
Phone : \_\_\_\_\_  
E-mail : \_\_\_\_\_

## The review and acceptance of the information on the IDF by Armstrong :

1. Approves the order for processing which triggers an e-mail confirmation
2. Indicates that AHWG supports you by endorsing the application
3. Indicates the warranty
4. Delivers a complete AHWG supported performance guarantee to the final user of the product

Project Name / Job Reference : \_\_\_\_\_  
Representative : \_\_\_\_\_  
Contact : \_\_\_\_\_

## Section 2 - Technical Details

1. Duty :  kW                      2. Flow Rate :  l/s  
3. Inlet Water Temperature :  °C                      4. Outlet Water Temperature :  °C  
5. Water Pressure :  barg                      6. High Temp Limit Setpoint :  °C  
7. Max Heat Exch. Press. Drop :  kPa  
8. Water Pipe Material : Carbon Steel or Copper or 316L SS or \_\_\_\_\_

## Primary Heat Source : Steam

9. Steam Pressure :  barg  
10. Condensate Back Pressure :  barg  
11. Is a PRV Station to be fitted on the package : Yes / No  
12. Water Hardness :  ppm CaCO<sub>3</sub> or other : \_\_\_\_\_  
13. Please give a brief description of the system and state any special requirements :  
\_\_\_\_\_  
\_\_\_\_\_  
\_\_\_\_\_  
\_\_\_\_\_  
\_\_\_\_\_

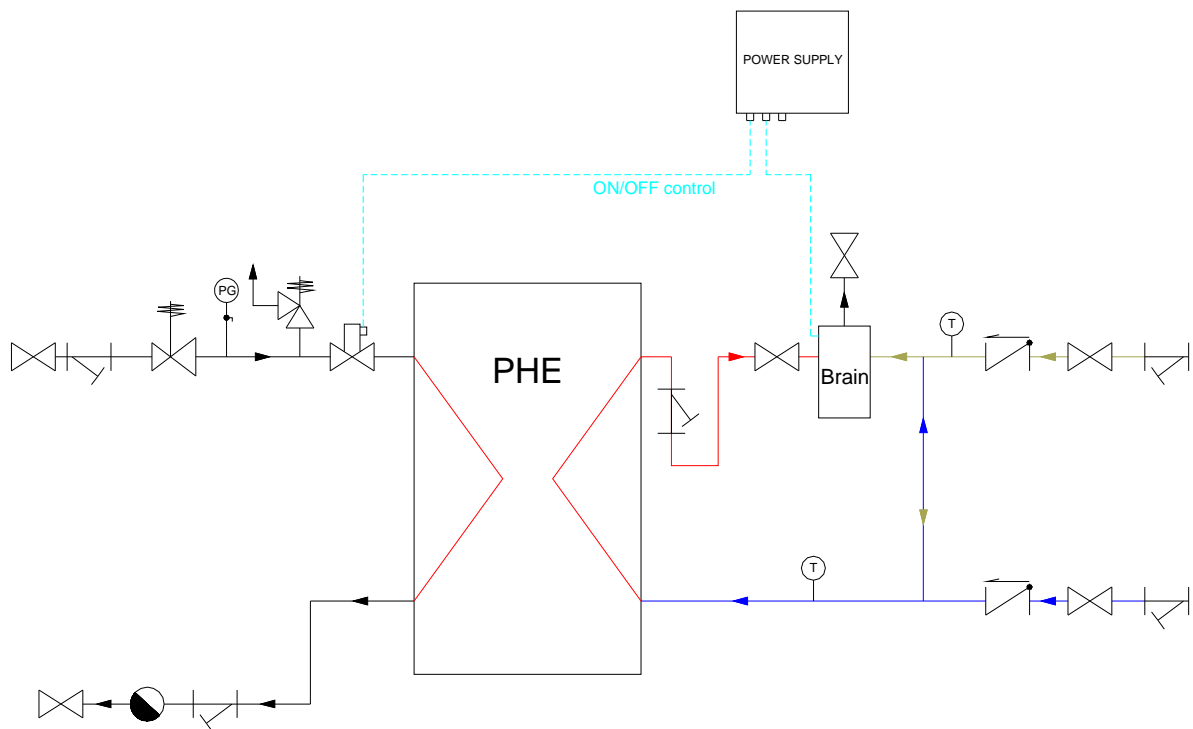
# Digital-Flo Steam to Water PHE Installation Details Form (IDF)



We are Unable to quote or enter purchase orders into the system or guarantee delivery dates without a technically accurate and fully completed Installations Details Form (IDF).

## Section 3 - Schematic

Please use the hereunder schematic to highlight any special requirement, modification or add-on you would like to have on your Digital-Flo Steam to Water PHE.



**Remark :**

Selection of a PRV Station including a strainer on the steam inlet automatically removes the strainer upstream the steam trap on the condensate return.