

# DIMENSIONS & DATA CERTIFIED FOR:

Representative:

Order:

Customer:

Order:

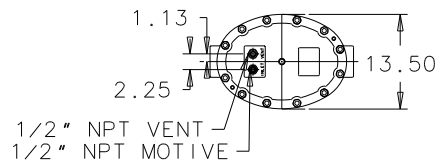
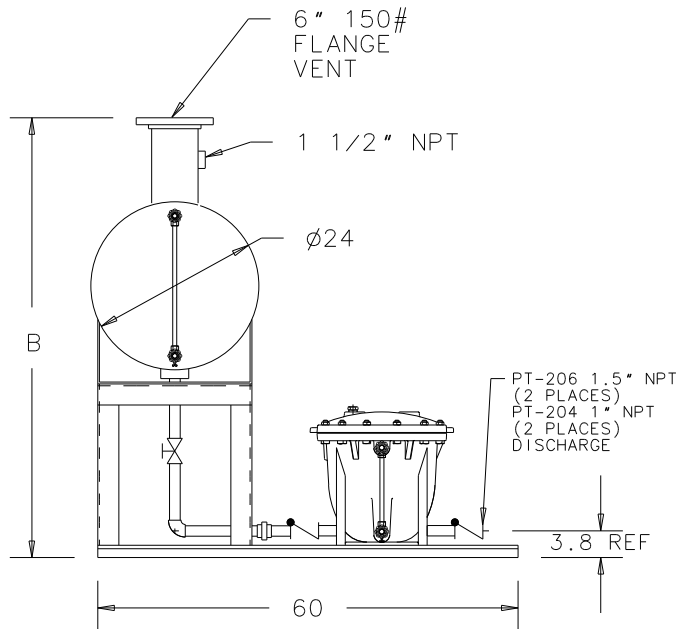
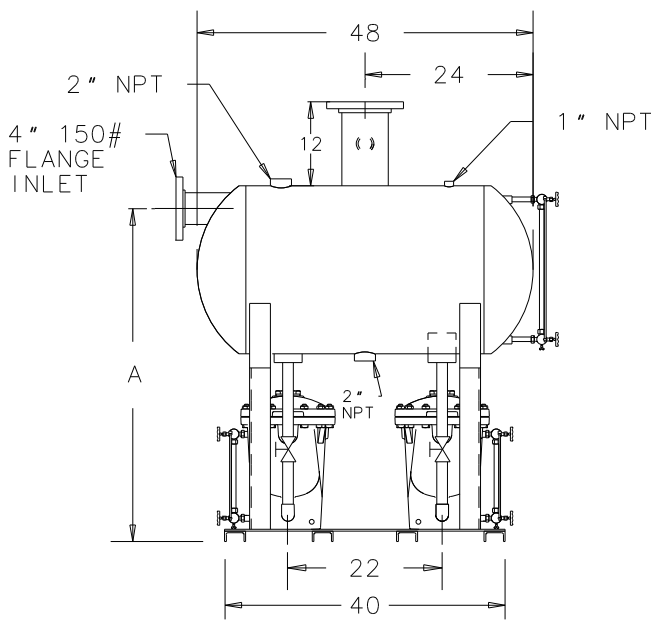
Project:

Requirements:

By:

Date:

| DIMENSION     | A  | B  |
|---------------|----|----|
| 0" FILL HEAD  | 43 | 59 |
| 6" FILL HEAD  | 49 | 65 |
| 12" FILL HEAD | 55 | 71 |



**NOTES:**

1. DRAWING SHOWS OPTIONAL GAUGE GLASSES.
2. RECEIVER ASME CODE 150 PSIG
3. RECEIVER VOLUME: APPROX. 85 GALLONS
4. FILL HEAD MUST BE SPECIFIED



Armstrong Condensate Management Group  
 Three Rivers, MI. 49093  
 Telephone (269) 279-3601  
 Fax (269) 279-3150  
 Posted on [www.armstronginternational.com](http://www.armstronginternational.com)

| Product        | CDF No.  | Date     |
|----------------|----------|----------|
| DPT-200LBRP-24 | CDF 1076 | 06/21/06 |
|                |          | Rev. A   |