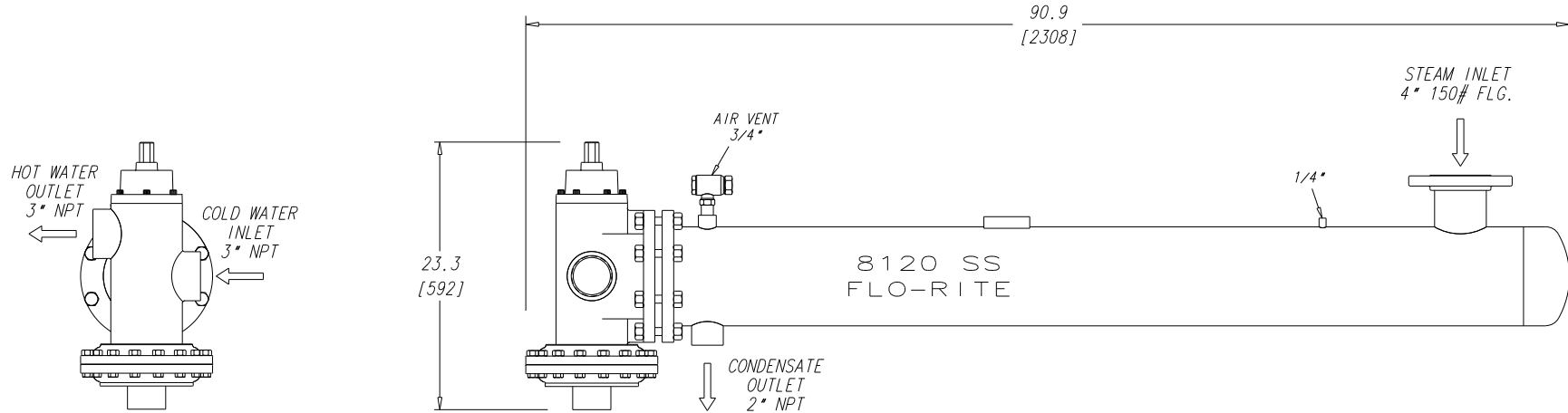


APPROVAL

BY _____ DATE _____

- APPROVED, PROCEED WITH FABRICATION
- APPROVED AS NOTED, PROCEED WITH FABRICATION IN ACCORDANCE WITH COMMENTS
- DISAPPROVED, DO NOT FABRICATE

REVISIONS			
SYM	DESCRIPTION	C/N NO.	BY-DATE
A	RELEASED	CN20500	TH-1/8/08



THIS IS A CONCEPTUAL SCHEMATIC DRAWING. THE ACTUAL DETAIL OF IT'S CONTENTS MAY NOT BE AS APPEARS.

		GRAPHICS ARE USA BASED DRAWING HAS USA VIEW PROJECTION	
ENGLISH		ARMSTRONG INTERNATIONAL, INC.	
DO NOT SCALE DRAWING		Copyright © 2007 Armstrong International, Inc.	
TOLERANCE UNLESS OTHERWISE SPECIFIED		8120 SS FLO-RITE-TEMP WATER HEATER	
PASC. - 1/16"		IN. MM	
DEC. .0012 .0015 .0020 .0025 .0030 .0035 .0040 .0045 .0050 .0055 .0060 .0065 .0070 .0075 .0080 .0085 .0090 .0095 .0100	.0012 .0015 .0020 .0025 .0030 .0035 .0040 .0045 .0050 .0055 .0060 .0065 .0070 .0075 .0080 .0085 .0090 .0095 .0100	1/8" 1/4" 3/8" 1/2" 3/4" 1" 1 1/4" 1 1/2" 2" 2 1/2" 3" 3 1/2" 4" 4 1/2" 5" 5 1/2" 6" 6 1/2" 7" 7 1/2" 8" 8 1/2" 9" 9 1/2" 10"	SHEET NO. SHEET 1 55649
DESIGNED BY DRAWN BY CHECKED BY APPROVED BY	DATE 1/8/08	SCALE AS SHOWN	PROJECT NO. ALISON