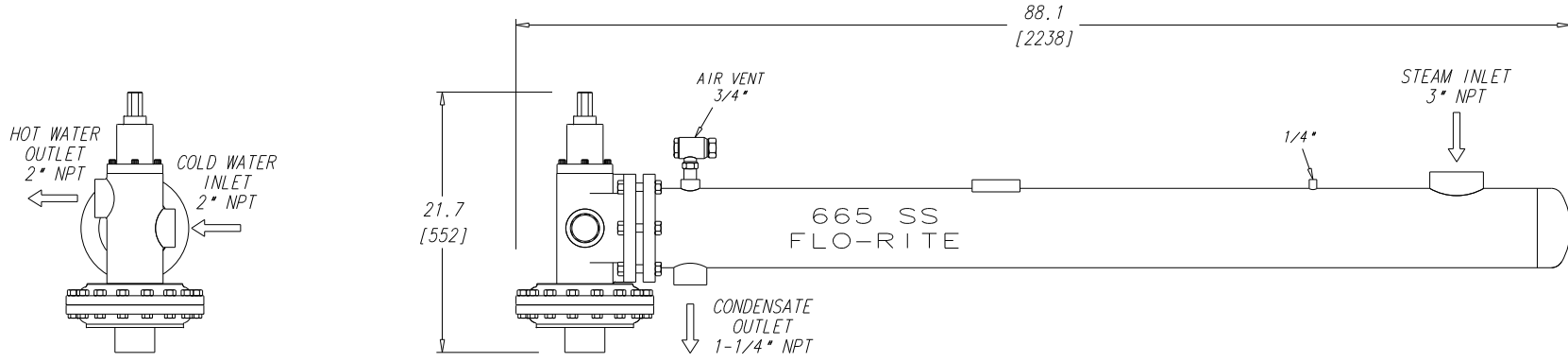


APPROVAL

BY _____ DATE _____

- APPROVED, PROCEED WITH FABRICATION
- APPROVED AS NOTED, PROCEED WITH FABRICATION IN ACCORDANCE WITH COMMENTS
- DISAPPROVED, DO NOT FABRICATE

REVISIONS			
SYM	DESCRIPTION	C/N NO.	BY-DATE
A	RELEASED	CN20500	TH-1/8/08



THIS IS A CONCEPTUAL SCHEMATIC DRAWING. THE ACTUAL DETAIL OF IT'S CONTENTS MAY NOT BE AS APPEARS.

		GRAPHICS ARE USA BASED DRAWING HAS USA VIEW PROJECTION	
DO NOT SCALE DRAWING TOLERANCE UNLESS OTHERWISE SPECIFIED FIN: #124		ENGLISH ARMSTRONG INTERNATIONAL, INC. 665 SS FLO-RITE WATER HEATER	
DEC: 0000 00 00 00	IN: 1/8 MM: 3.175 1/16 1.5875 1/32 0.3125 1/64 0.15625	MATERIAL: 665 SS FINISH: #124 DATE: 1/8/08 ALISON	SHEET NO.: SHEET 1 DRAWING NO.: S5646