

DIMENSIONS & DATA CERTIFIED FOR:

Representative:

Order:

Customer:

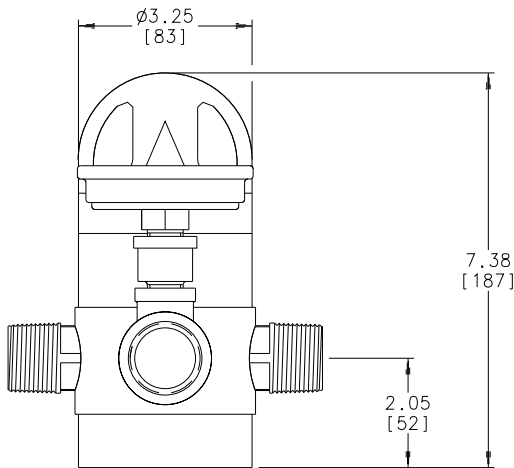
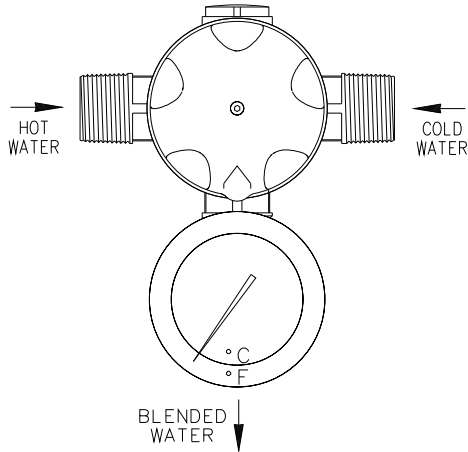
Order:

Project:

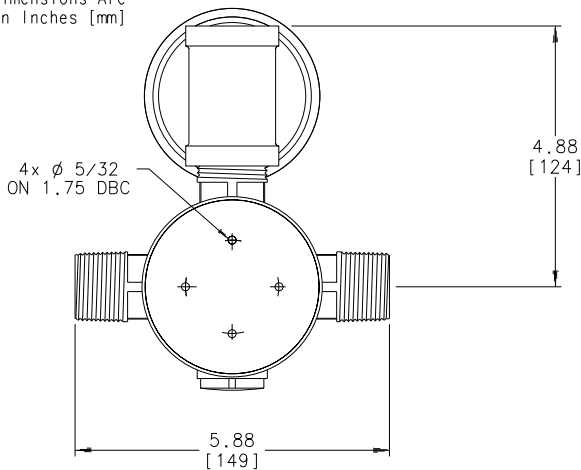
Requirements:

By:

Date:



Dimensions Are
In Inches [mm]



Specifications:

1. Connections, 1" [DN25] NPT inlets
3/4" (20mm) NPT outlet(s)
2. Operating Pressure-
100 psi [10 bar] Max.
40 psi [2.8 bar] Min.
3. Integral cold water constant
flow design.
4. Weight, Unit; 10 lbs [4.5 kgs]
5. Integral inlet check valves,
strainers, and thermometer.

LIST OF MATERIALS

NAME OF PART	MATERIAL
VALVE, MIXING	ASTM B16 BRASS W/ CHROME PLATING
TEE	ASTM B16 BRASS
THERMOMETER	18-8 STN. STL.



ARMSTRONG HOT WATER GROUP

221 Armstrong Boulevard
Three Rivers, MI 49093

Armstrong 1-888-HOT HOSE(1-888-468-4673) Fax 1-269-279-3130
Posted on www.armstronginternational.com

RADA Z358-20

Date

4/30/01

Rev.

B

Drawing No.

CDLW 1063