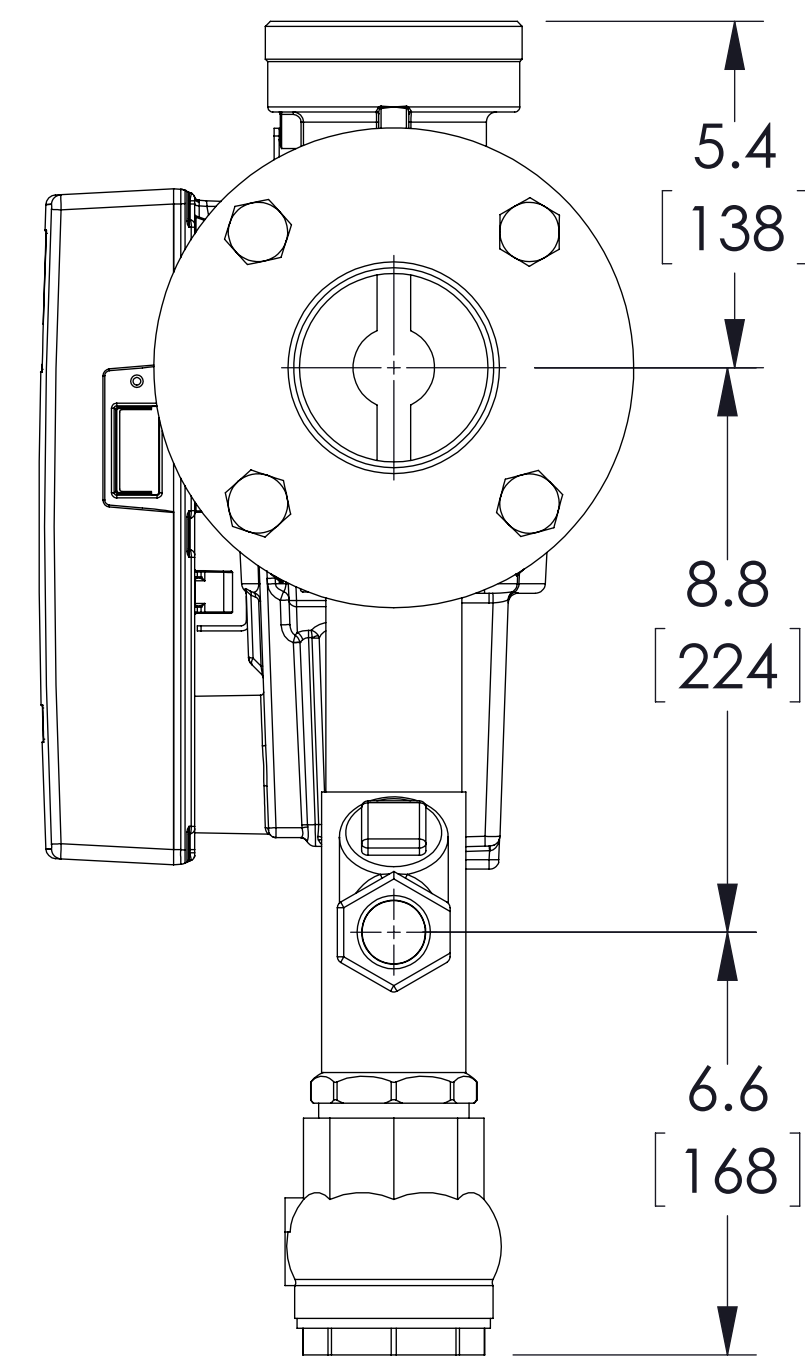
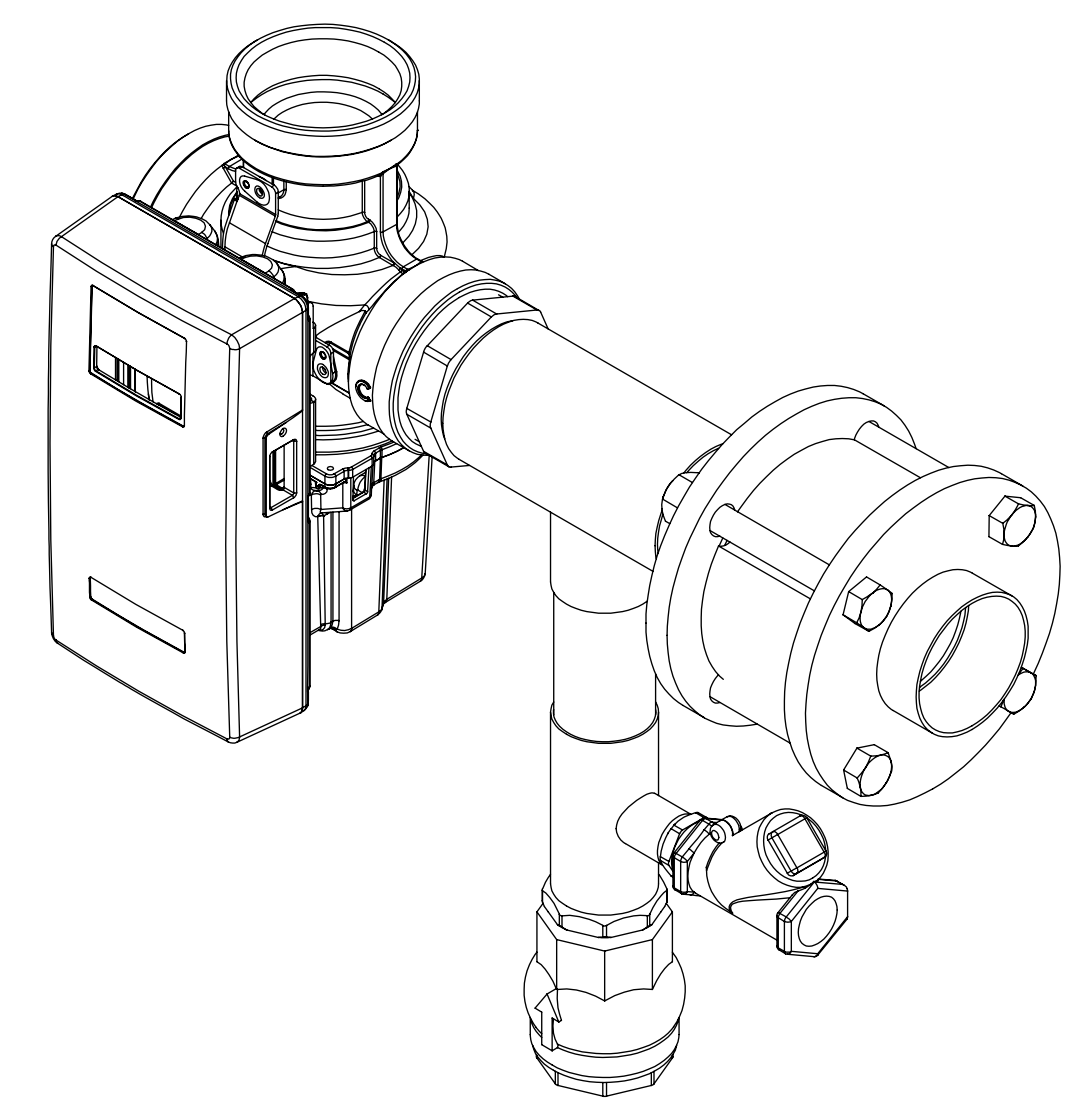
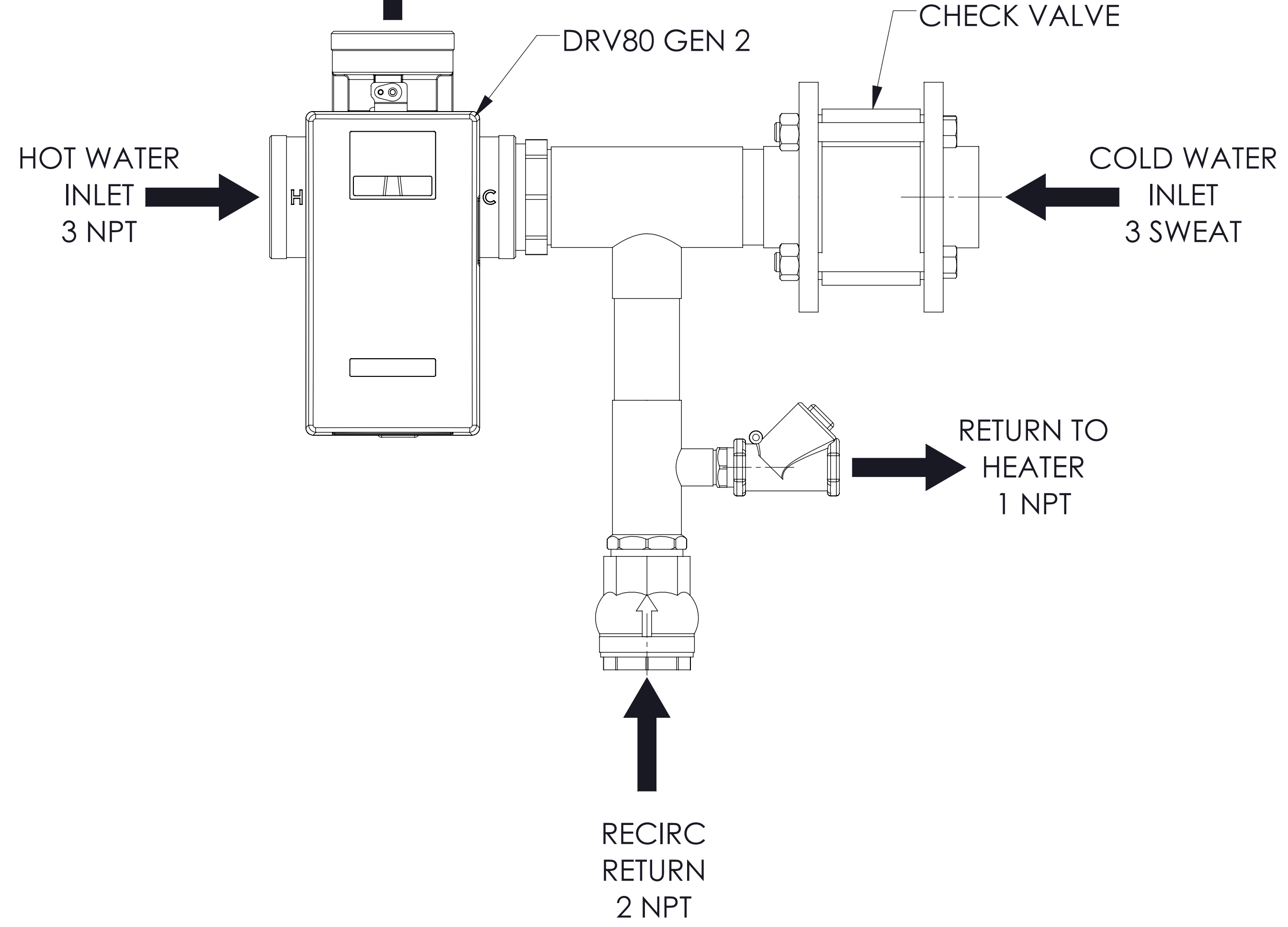


BRAINSCAN  
12x12x6 [305x305x152]  
ENCLOSURE

MIXED WATER  
OUTLET  
3 NPT



NOTE:  
ALL VALVES AND FITTINGS IN THIS ASSEMBLY CONTAIN LESS THAN 0.25% LEAD BY WEIGHTED AVERAGE

DO NOT SCALE DRAWING TOLERANCES UNLESS OTHERWISE SPECIFIED	
DIMENSIONING ENGLISH [mm]	
FRACTIONAL ± 1/64 ANGULAR: ± 2	
DECIMAL	IN. MM
.XXX ± .005	.010
.XX ± .015	.10
.X	.3

		NAME
DRAWN	Jon Singer	05/29/2012
RELEASED		

<b>ARMSTRONG INTERNATIONAL</b> Copyright © 2010 ARMSTRONG INTERNATIONAL, INC.	
<b>DRV80RBS 3 SWT 3 NPT 2 NPT CPR</b>	
MATERIAL	SHEET 1 OF 2
CN39169	REV B DWG. D40822