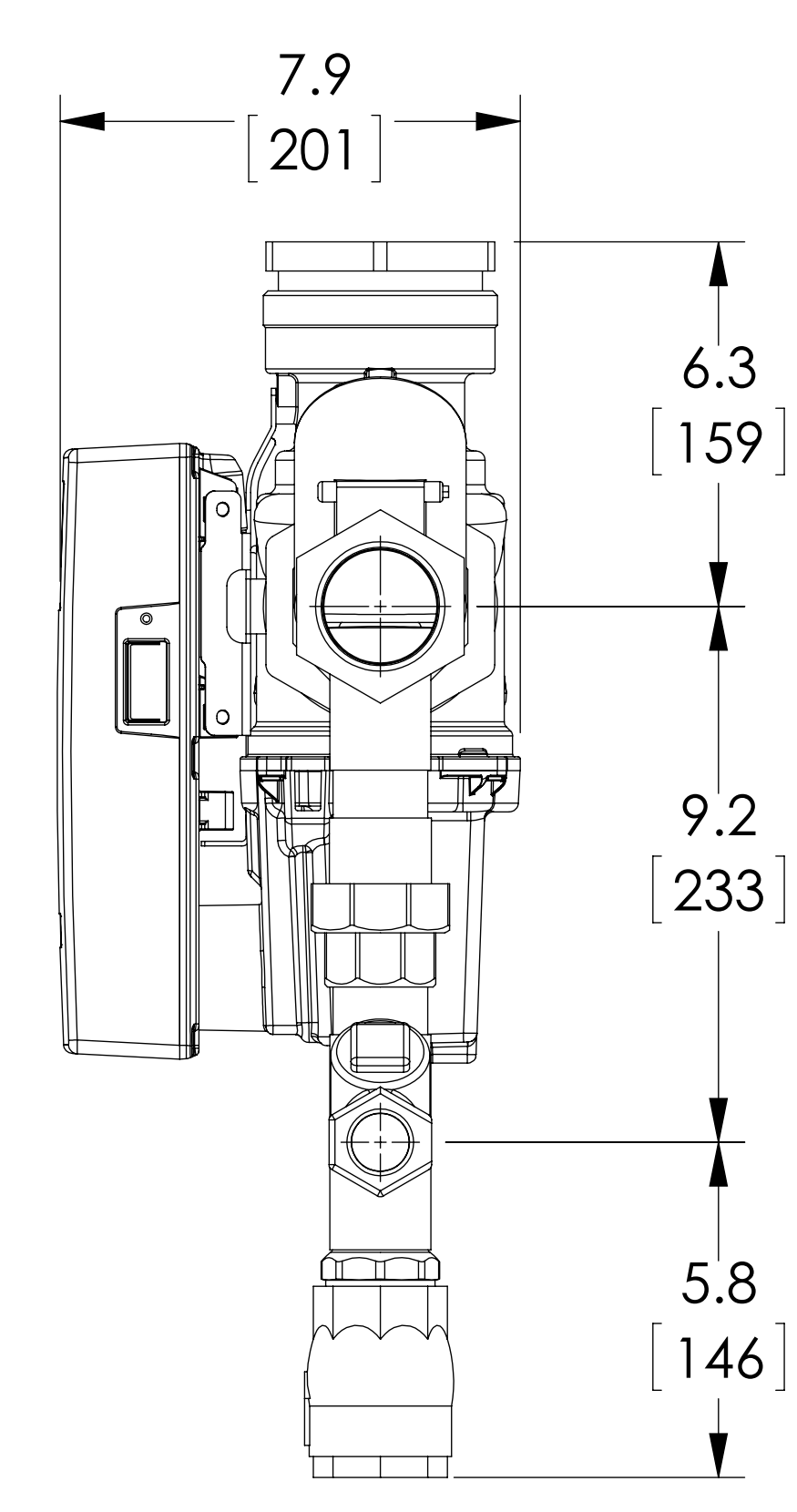
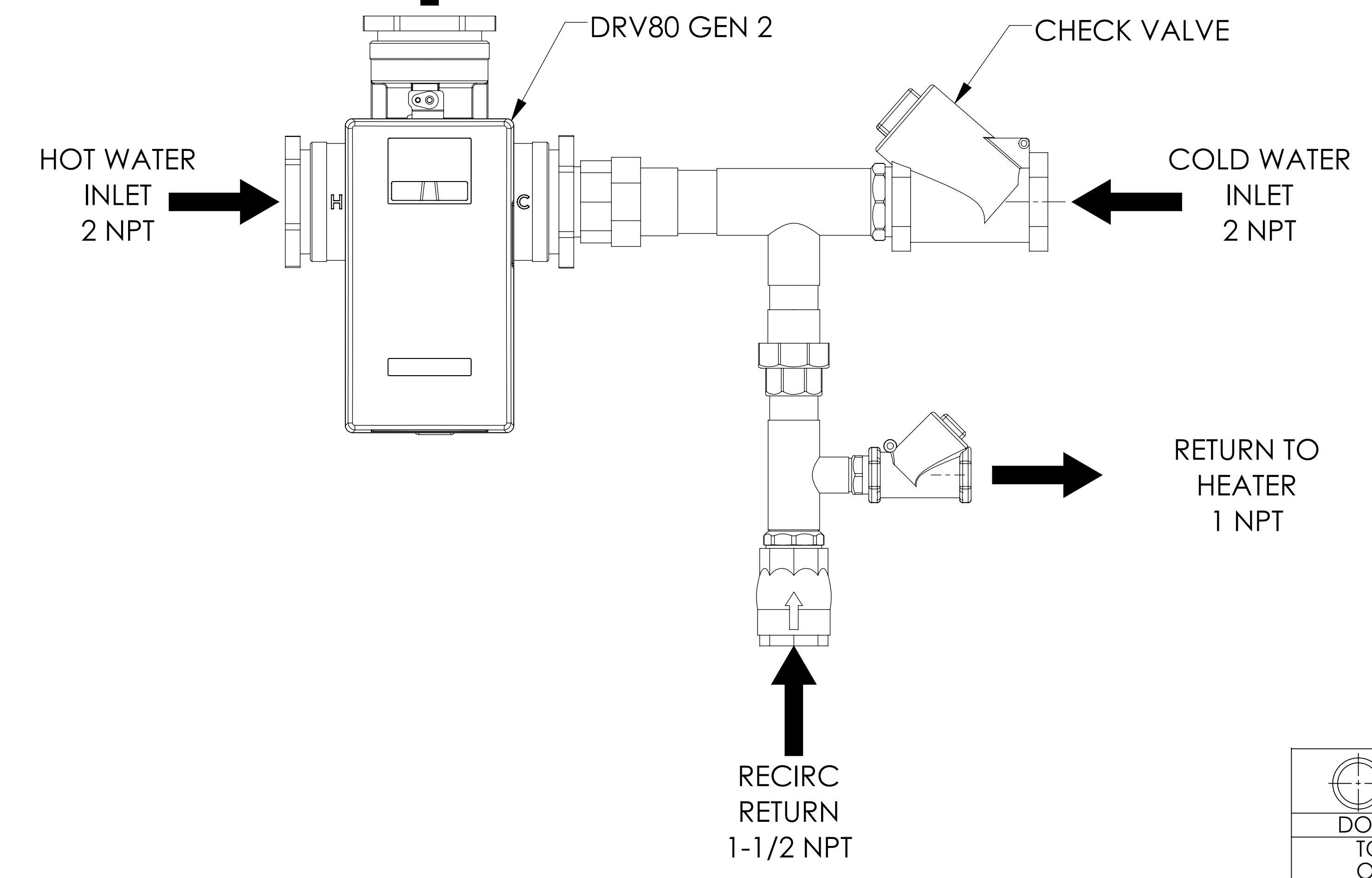


BRAINSCAN  
12x12x6 [305x305x152]  
ENCLOSURE

MIXED WATER  
OUTLET  
2 NPT



				<b>ARMSTRONG INTERNATIONAL</b> Copyright © 2010 ARMSTRONG INTERNATIONAL, INC.	
DO NOT SCALE DRAWING TOLERANCES UNLESS OTHERWISE SPECIFIED DIMENSIONING ENGLISH [mm]				<b>DRV50RBS 2 NPT 2 NPT 1-1/2 NPT CPR</b>	
FRACTIONAL ± 1/64 ANGULAR: ± 2				MATERIAL	
DECIMAL .XXX ± .005 .010 .XX ± .015 .10 .X ± .3		NAME Jon Singer		DATE 05/29/2012	
		DRAWN		SHEET 1 OF 2	
		RELEASED		CN39169	
				REV B DWG. D40814	

NOTE:  
ALL VALVES AND FITTINGS IN THIS ASSEMBLY CONTAIN LESS THAN 0.25% LEAD BY WEIGHTED AVERAGE