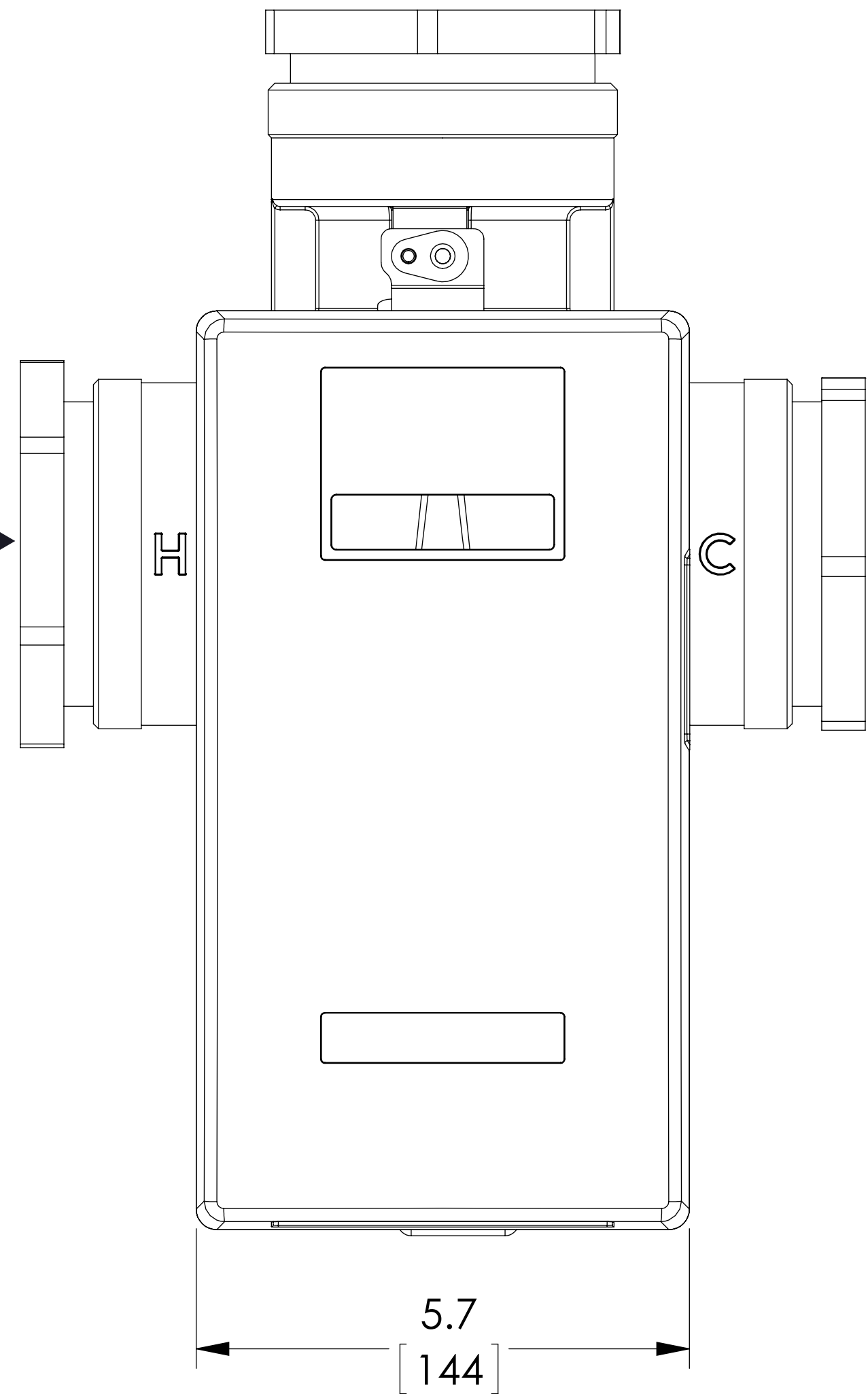


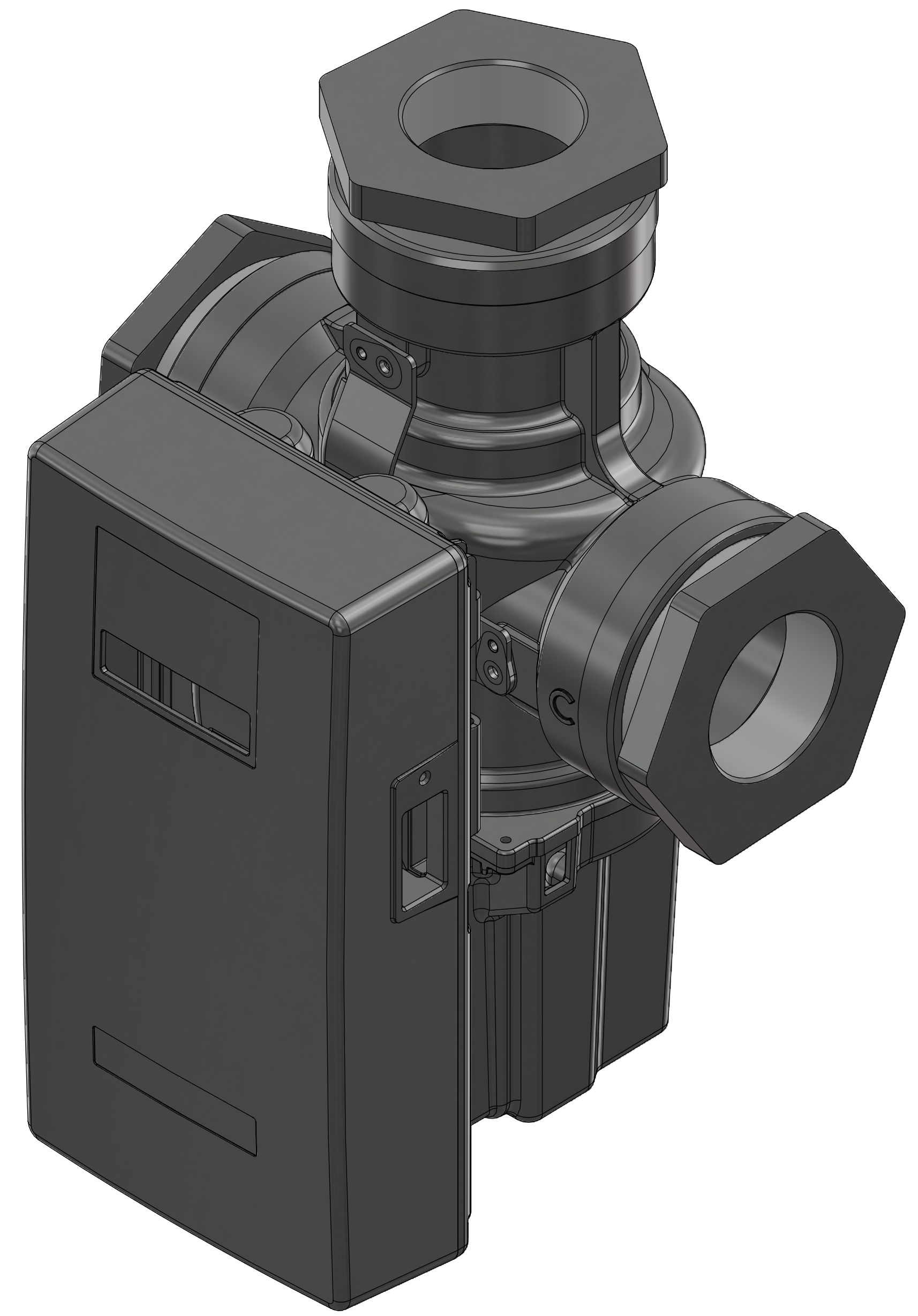
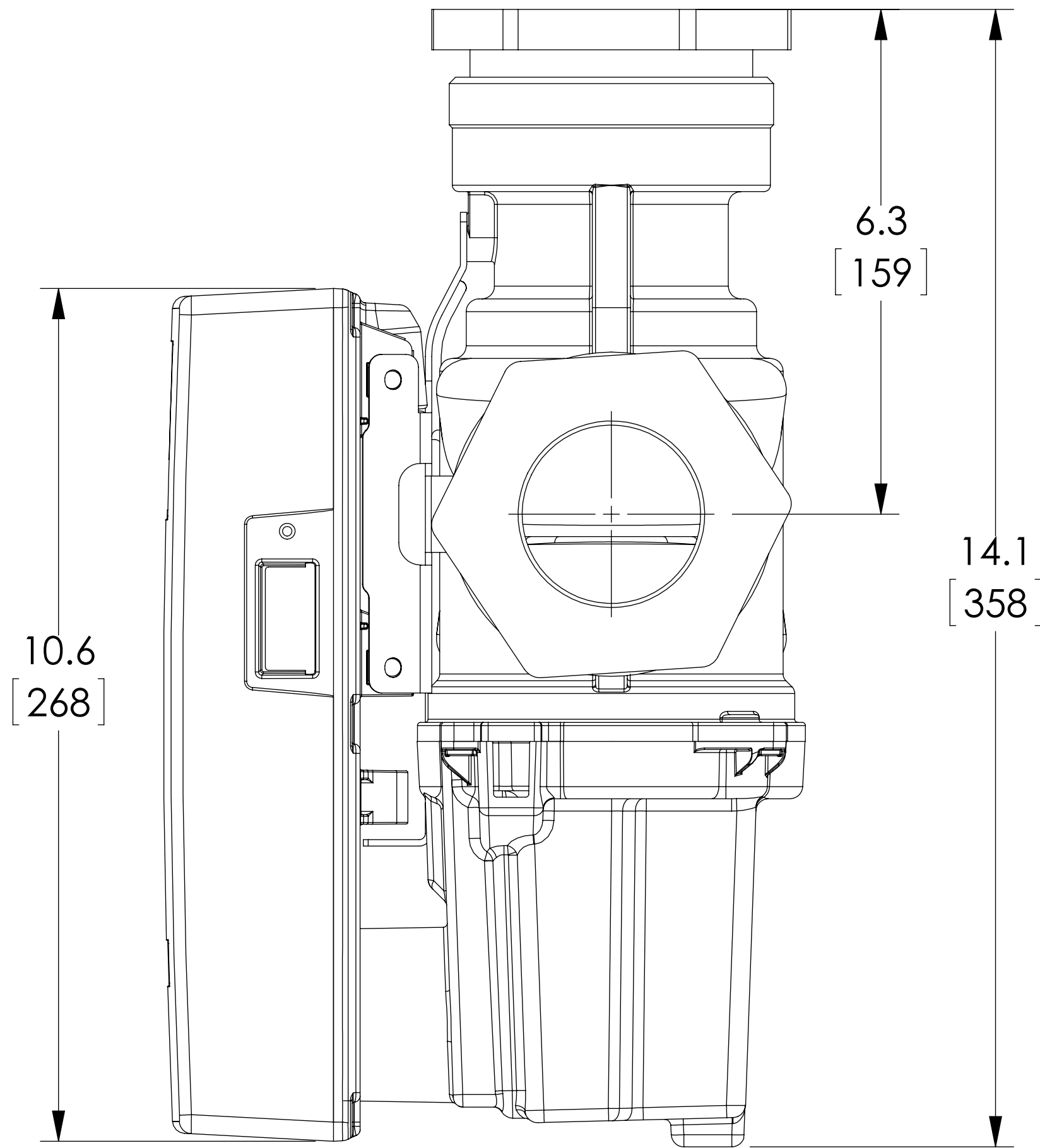
MIXED WATER
OUTLET
2 NPT



HOT WATER
INLET
2 NPT



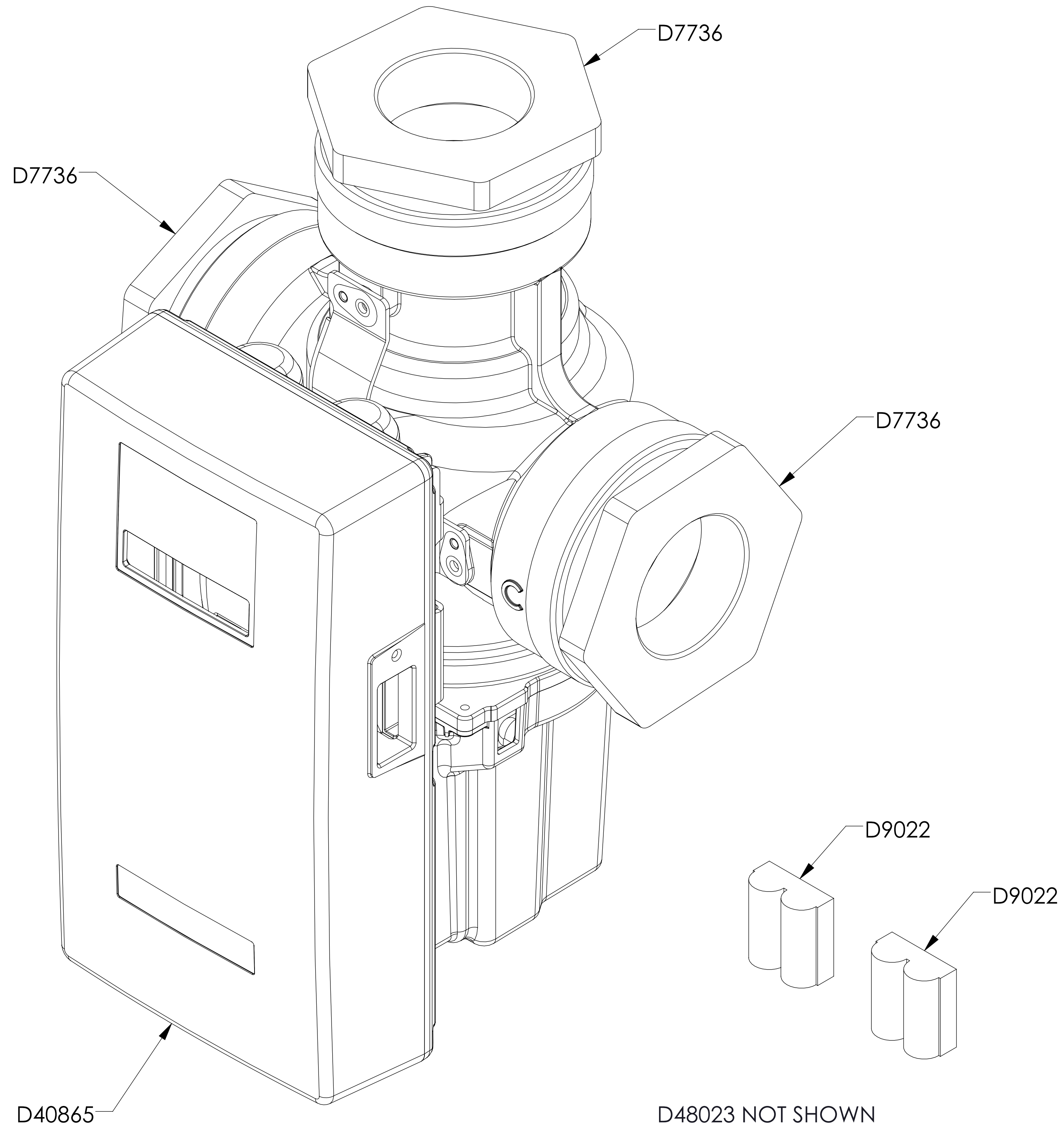
COLD WATER
INLET
2 NPT


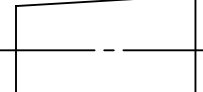



DO NOT SCALE DRAWING	
TOLERANCES UNLESS OTHERWISE SPECIFIED	
DIMENSIONING ENGLISH [mm]	
FRACTIONAL ± 1/64	
ANGULAR: ± 2	
DECIMAL	IN. MM
.XXX ± .005	.010
.XX ± .015	.10
.X	.3

		NAME	DATE
DRAWN	Shane Russell	06/01/2012	
RELEASED			

ARMSTRONG INTERNATIONAL	
Copyright © 2010 ARMSTRONG INTERNATIONAL, INC.	
DRV50	
MATERIAL	SHEET 1 OF 2
CN34880	REV C DWG. D40864



 				ARMSTRONG INTERNATIONAL Copyright © 2010 ARMSTRONG INTERNATIONAL, INC.															
DO NOT SCALE DRAWING TOLERANCES UNLESS OTHERWISE SPECIFIED DIMENSIONING ENGLISH [mm]				DRV50															
FRACTIONAL ± 1/64 ANGULAR: ± 2		<table border="1"> <thead> <tr> <th></th> <th>NAME</th> <th>DATE</th> </tr> </thead> <tbody> <tr> <td>DRAWN</td> <td>Shane Russell</td> <td>06/01/2012</td> </tr> <tr> <td>RELEASED</td> <td></td> <td></td> </tr> </tbody> </table>			NAME	DATE	DRAWN	Shane Russell	06/01/2012	RELEASED			MATERIAL						
	NAME	DATE																	
DRAWN	Shane Russell	06/01/2012																	
RELEASED																			
<table border="1"> <thead> <tr> <th>DECIMAL</th> <th>IN.</th> <th>MM</th> </tr> </thead> <tbody> <tr> <td>.XXXX ± .0005</td> <td>----</td> <td>----</td> </tr> <tr> <td>.XXX ± .005</td> <td>.010</td> <td></td> </tr> <tr> <td>.XX ± .015</td> <td>.10</td> <td></td> </tr> <tr> <td>.X</td> <td>-----</td> <td>.3</td> </tr> </tbody> </table>		DECIMAL	IN.	MM	.XXXX ± .0005	----	----	.XXX ± .005	.010		.XX ± .015	.10		.X	-----	.3	CN34880		SHEET 2 OF 2
DECIMAL	IN.	MM																	
.XXXX ± .0005	----	----																	
.XXX ± .005	.010																		
.XX ± .015	.10																		
.X	-----	.3																	
		REV C		DWG. D40864															