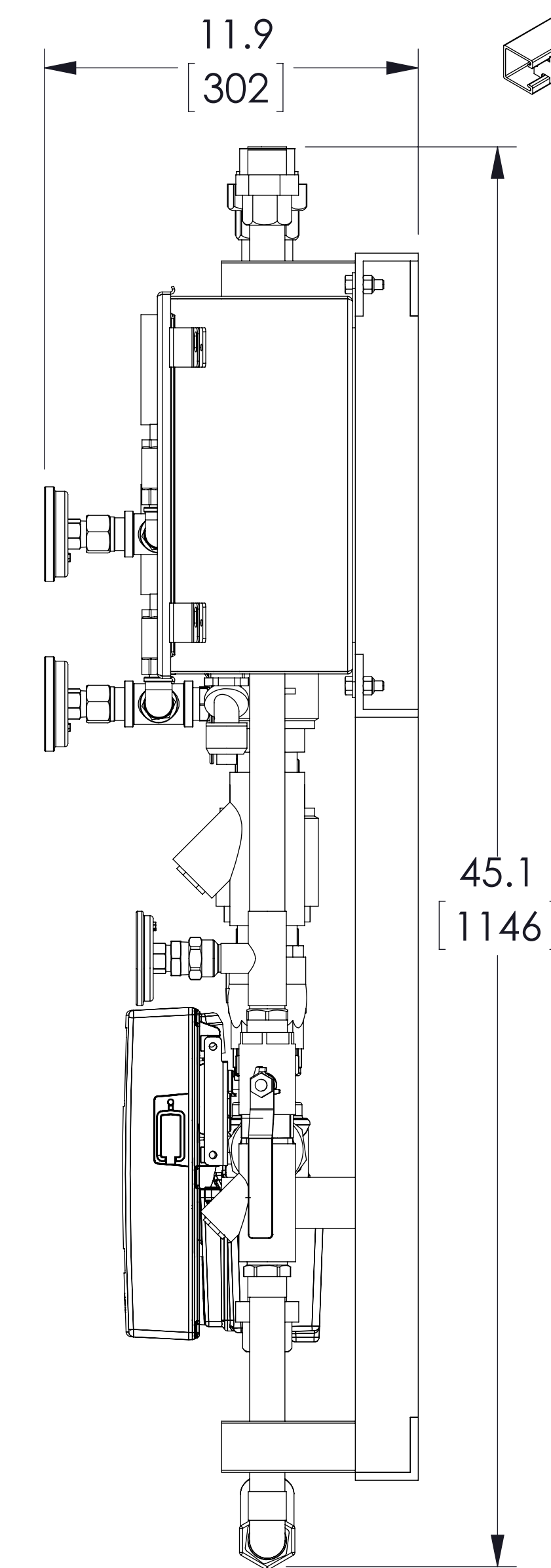
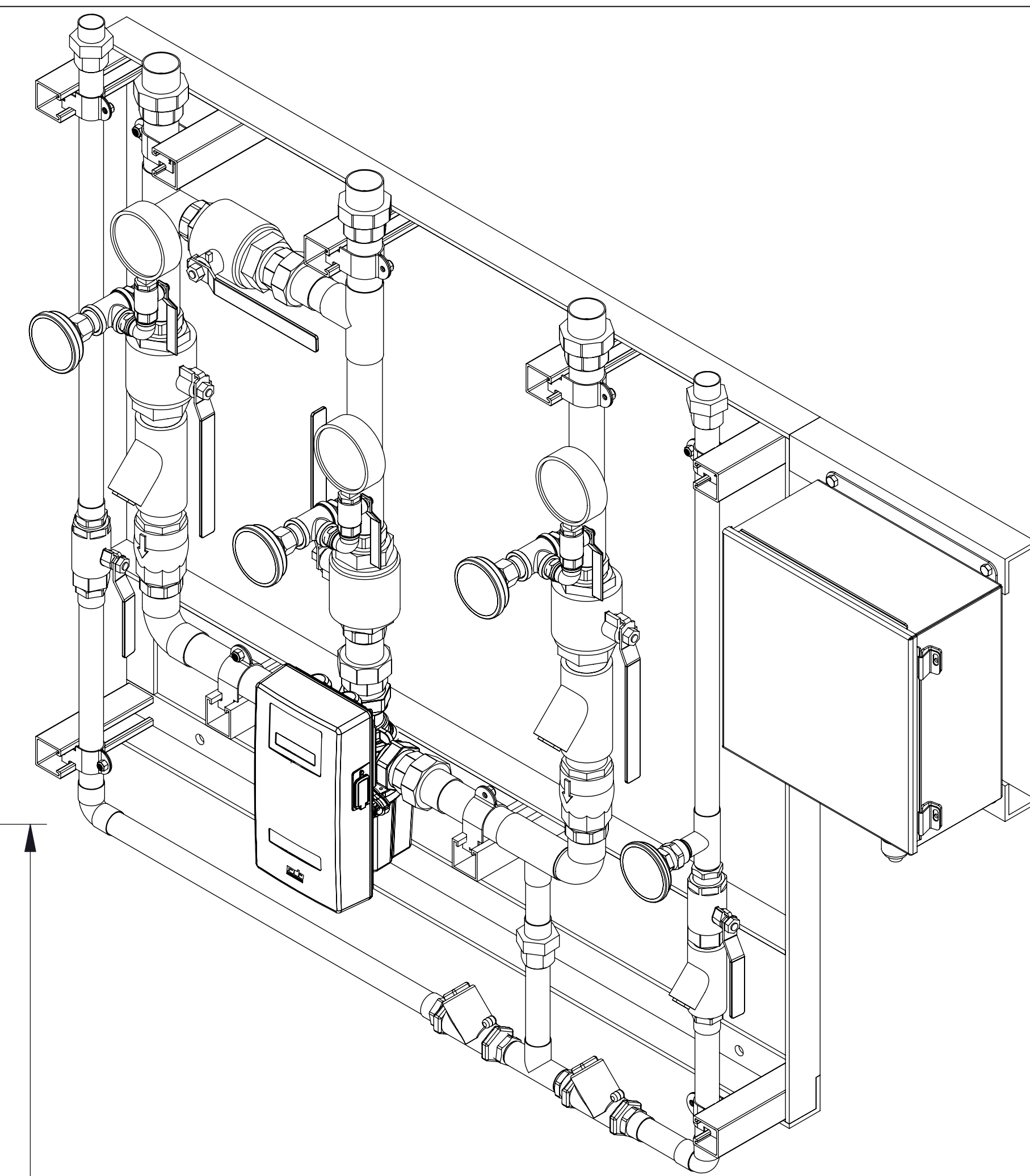
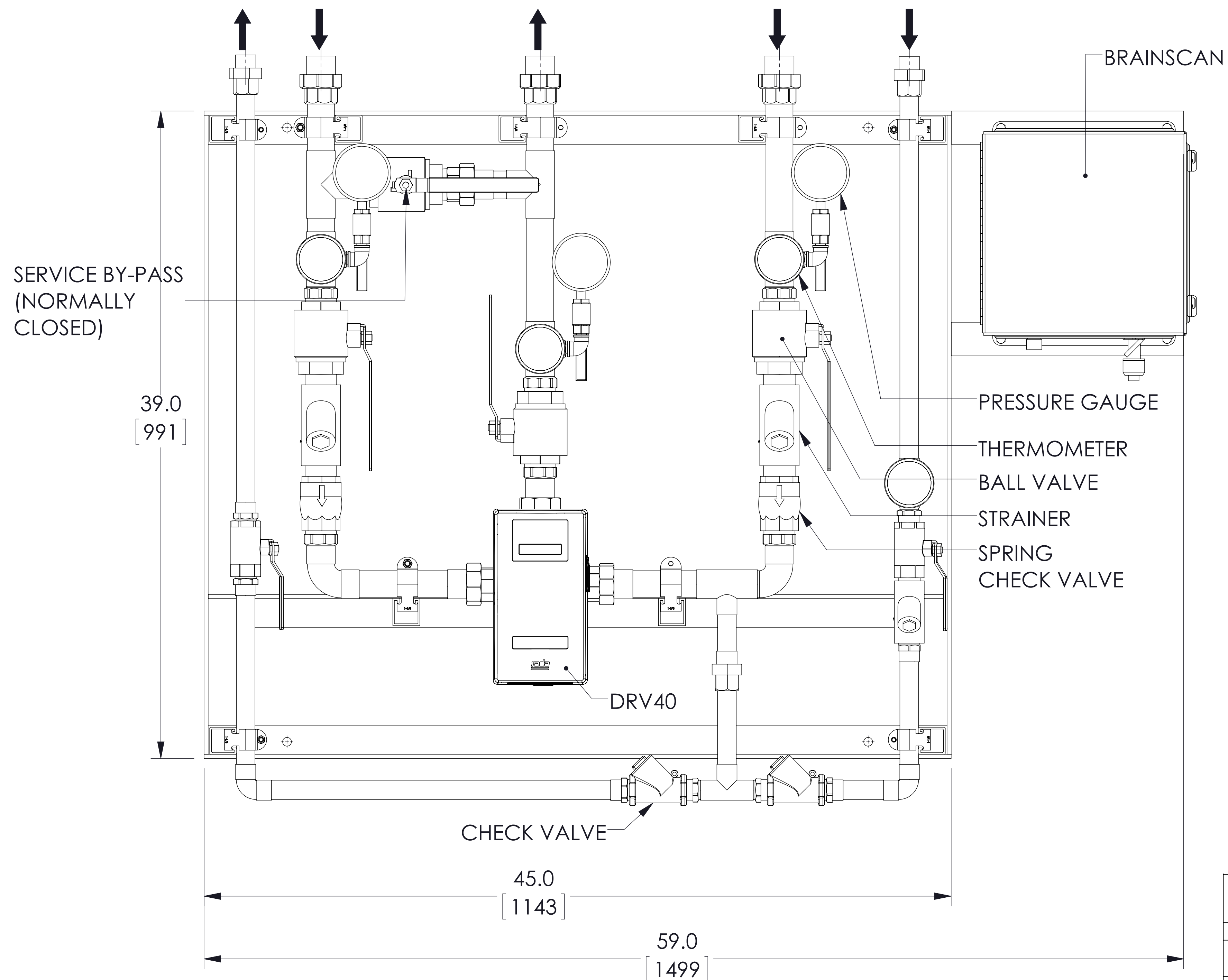
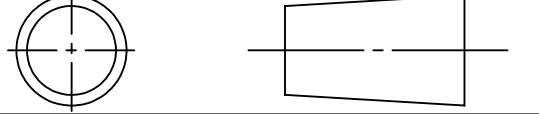



RETURN TO HEATER 1 SWEAT
HOT WATER INLET 1-1/2 SWEAT
MIXED WATER OUTLET 1-1/2 SWEAT
COLD WATER INLET 1-1/2 SWEAT
RECIRC RETURN 1 SWEAT



NOTE:
ALL VALVES AND FITTINGS IN THIS ASSEMBLY CONTAIN LESS THAN 0.25% LEAD BY WEIGHTED AVERAGE

 DO NOT SCALE DRAWING TOLERANCES UNLESS OTHERWISE SPECIFIED DIMENSIONING ENGLISH [mm]				ARMSTRONG INTERNATIONAL Copyright © 2010 ARMSTRONG INTERNATIONAL, INC.	
FRACTIONAL ± 1/64 ANGULAR: ± 2				DMC40BS	
DECIMAL	.XXX ± .005	.XXX ± .005	.010	NAME	DATE
	.XX ± .015	.XX ± .015	.10	DRAWN	Jon Singer 04/11/2012
	.X ± .03	.X ± .03	.3	RELEASED	
				MATERIAL	SHEET 1 OF 2
				CN32171	REV A DWG. D40806