

DIMENSIONS & DATA CERTIFIED FOR:

Representative:

Order:

Customer:

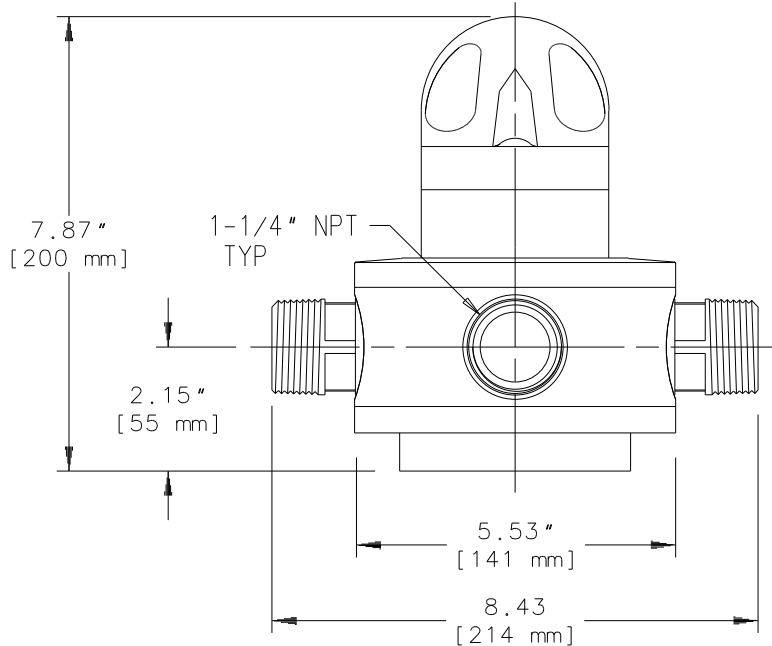
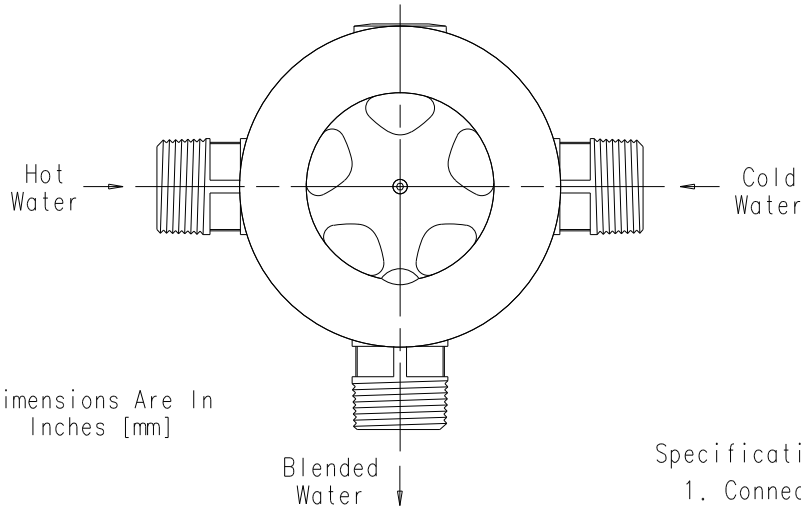
Order:

Project:

Requirements:

By:

Date:



Specifications:

1. Connections, 1-1/4" [DN30] NPT
2. Operating Pressure -
150 psi [10 bar] Max.
10 psi [.7 bar] Min.
3. Maximum Pressure Loss Ratio 10:1
4. Weight, Unit; 18 lbs [8.2 kgs]

LIST OF MATERIALS

NAME OF PART	MATERIAL
VALVE, MIXING	ASTM B16 BRASS W/ CHROME PLATING



ARMSTRONG HOT WATER GROUP
221 Armstrong Boulevard
Three Rivers, MI 49093

Armstrong 1-888-HOT HOSE(1-888-468-4673) Fax 1-269-279-3130
Posted on www.armstrong-intl.com

RADA 425

Date	Rev.
7/24/01	C
Drawing No.	
CDLW 1065	