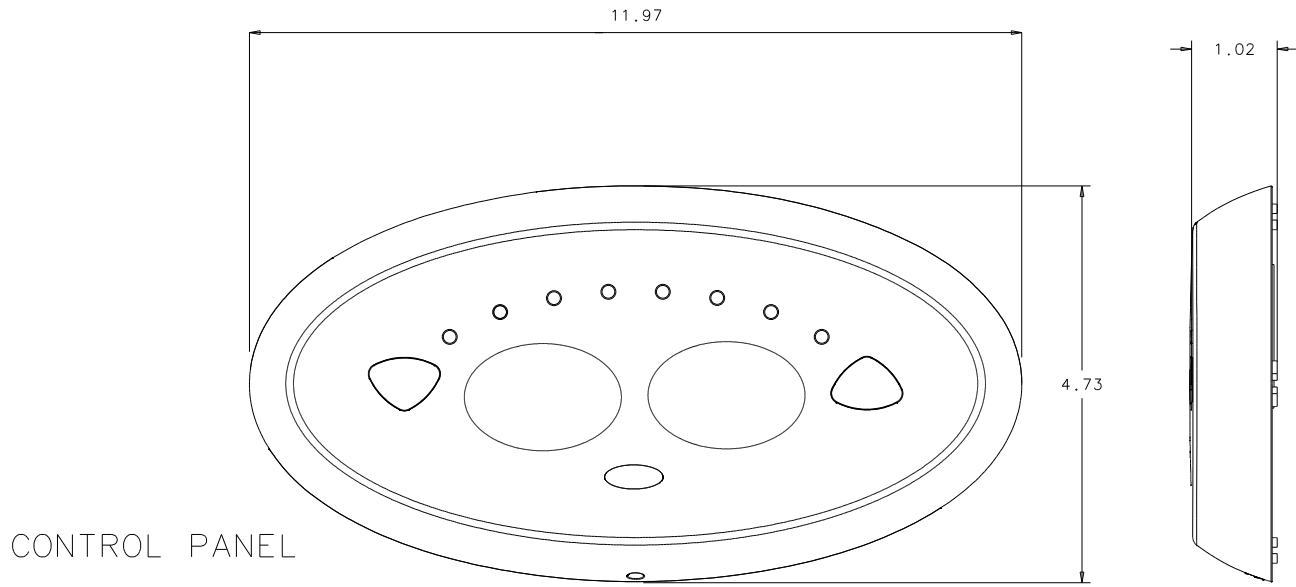
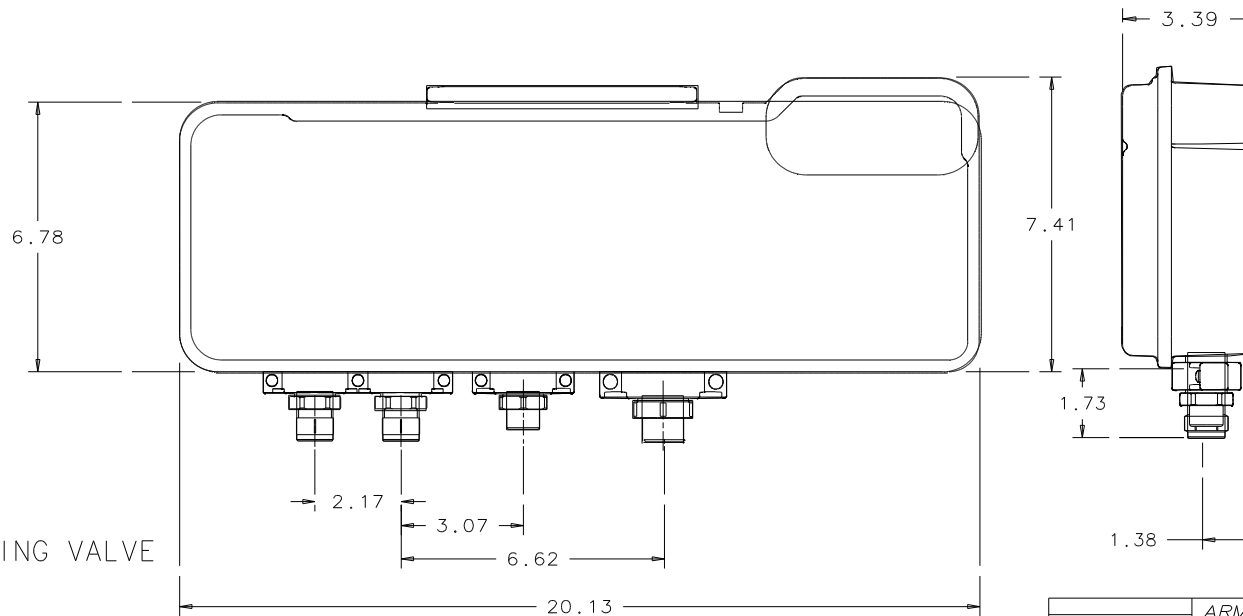


REVISIONS			
SYM	DESCRIPTION	LWN. NO.	BY-DATE
A	RELEASED	LWN1052	CH-2/15/05



CONTROL PANEL



MIXING VALVE

DO NOT SCALE DRAWING		ARMSTRONG HOT WATER GROUP																	
TOLERANCE UNLESS OTHERWISE SPECIFIED		Copyright © 2004 Armstrong International, Inc., THREE RIVERS, MI.																	
FRAC. ±1/64		EMV - 23																	
<table border="1"> <thead> <tr> <th>IN.</th> <th>MM</th> </tr> </thead> <tbody> <tr> <td>.XXXX</td> <td>±.0005</td> </tr> <tr> <td>.XXX</td> <td>±.005</td> </tr> <tr> <td>.XX</td> <td>±.015</td> </tr> <tr> <td>.X</td> <td>±.030</td> </tr> </tbody> </table>		IN.	MM	.XXXX	±.0005	.XXX	±.005	.XX	±.015	.X	±.030	<table border="1"> <thead> <tr> <th>MATERIAL</th> <th>SCALE</th> <th>PART NO.</th> </tr> </thead> <tbody> <tr> <td></td> <td></td> <td></td> </tr> </tbody> </table>		MATERIAL	SCALE	PART NO.			
IN.	MM																		
.XXXX	±.0005																		
.XXX	±.005																		
.XX	±.015																		
.X	±.030																		
MATERIAL	SCALE	PART NO.																	
<table border="1"> <thead> <tr> <th>DR N BY</th> <th>DATE</th> <th>DRAWING NO.</th> </tr> </thead> <tbody> <tr> <td>HOFFMAN</td> <td>2/15/05</td> <td>LW106</td> </tr> </tbody> </table>		DR N BY	DATE	DRAWING NO.	HOFFMAN	2/15/05	LW106												
DR N BY	DATE	DRAWING NO.																	
HOFFMAN	2/15/05	LW106																	
ANGLES ±2°																			