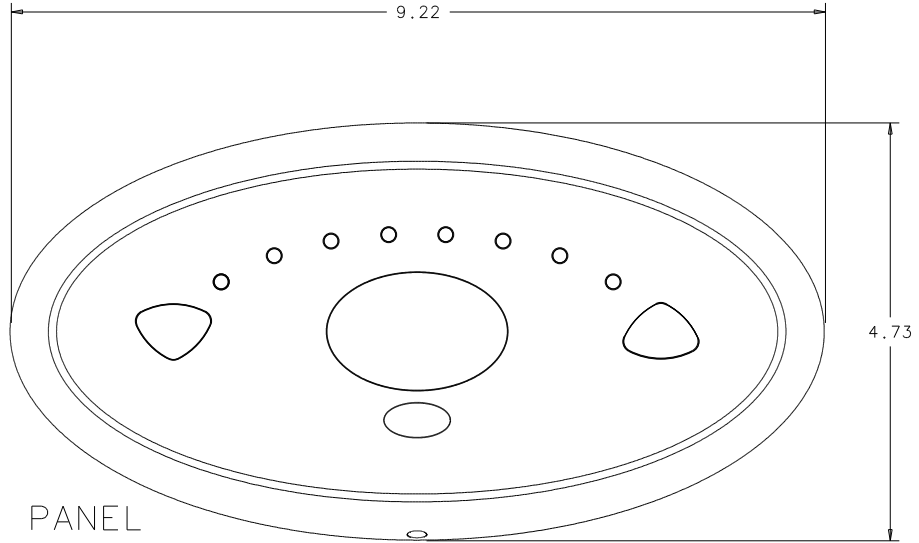
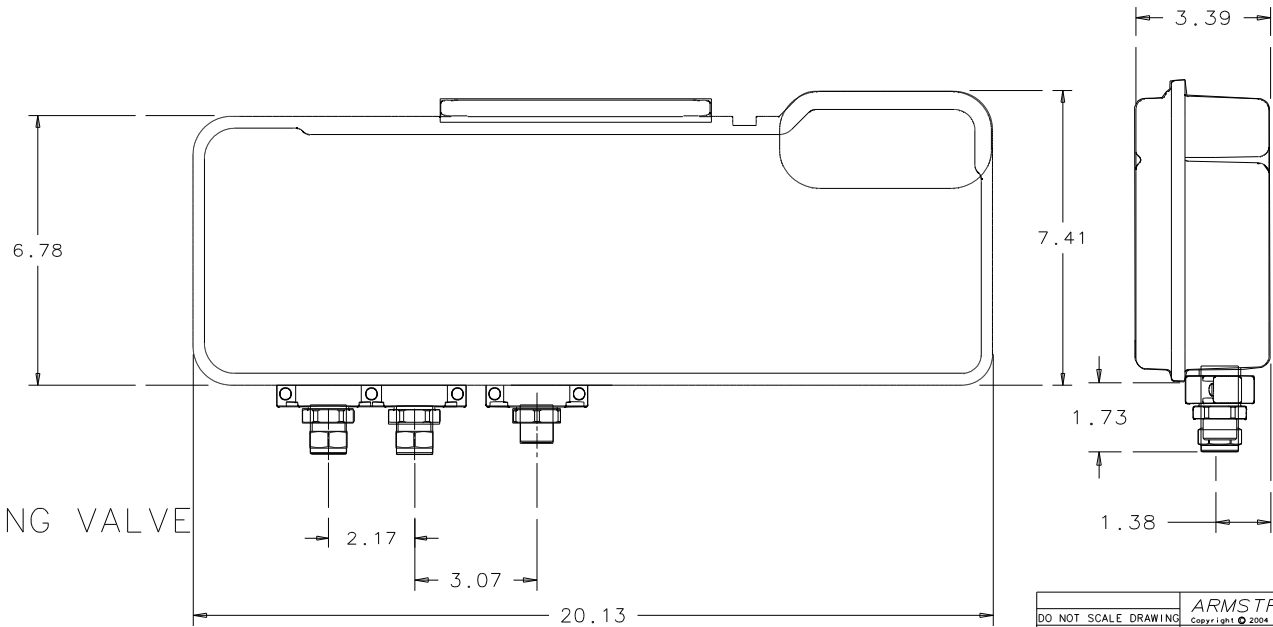


REVISIONS			
SYM	DESCRIPTION	LWN NO.	BY-DATE
A	RELEASED	LWN1052	CH-2/15/05



CONTROL PANEL



MIXING VALVE

DO NOT SCALE DRAWING		<b>ARMSTRONG HOT WATER GROUP</b>																	
TOLERANCE UNLESS OTHERWISE SPECIFIED		Copyright © 2004 Armstrong International, Inc., THREE RIVERS, MI.																	
FRAC. ±1/64		EMV - 2																	
<table border="1"> <thead> <tr> <th>IN.</th> <th>MM</th> </tr> </thead> <tbody> <tr> <td>.XXXX</td> <td>± .0005</td> </tr> <tr> <td>.XXX</td> <td>± .005</td> </tr> <tr> <td>.XX</td> <td>± .015</td> </tr> <tr> <td>.X</td> <td>± .10</td> </tr> </tbody> </table>		IN.	MM	.XXXX	± .0005	.XXX	± .005	.XX	± .015	.X	± .10	<table border="1"> <tr> <td>MATERIAL</td> <td>PART NO.</td> </tr> <tr> <td>SCALE</td> <td>DRAWING NO.</td> </tr> <tr> <td>DATE</td> <td></td> </tr> </table>		MATERIAL	PART NO.	SCALE	DRAWING NO.	DATE	
IN.	MM																		
.XXXX	± .0005																		
.XXX	± .005																		
.XX	± .015																		
.X	± .10																		
MATERIAL	PART NO.																		
SCALE	DRAWING NO.																		
DATE																			
<table border="1"> <tr> <td>DR N BY</td> <td>SCALE</td> </tr> <tr> <td>DATE</td> <td></td> </tr> </table>		DR N BY	SCALE	DATE		<table border="1"> <tr> <td>DR N BY</td> <td>DATE</td> </tr> <tr> <td>2/15/05</td> <td></td> </tr> </table>		DR N BY	DATE	2/15/05									
DR N BY	SCALE																		
DATE																			
DR N BY	DATE																		
2/15/05																			
ANGLES ±2°		LW104																	