

# DIMENSIONS & DATA CERTIFIED FOR:

Representative:

Order:

Customer:

Order:

Project:

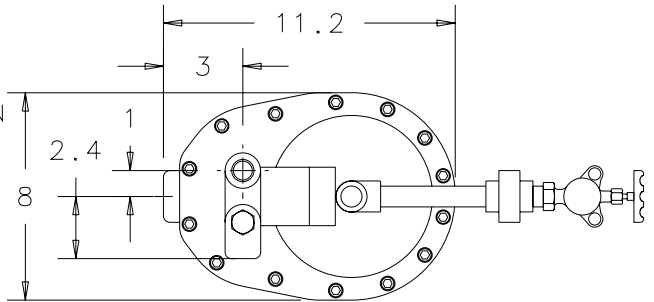
Requirements:

By:

Date:

**NOTES:**

1. DRAWING SHOWS OPTIONAL GAUGE GLASS AND OPTIONAL PRESSURE GAUGE
2. IF GAUGE GLASS IS CHOSEN PUMP WILL NEED TO BE RAISED FOR CLEARANCE OF BOTTOM VALVE



1/2" NPT VENT

1/2" NPT MOTIVE

1" NPT INLET INTEGRAL CV

10.8

9.9

5.5

1/2" HOLES (2 PLCS)

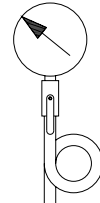
3/8" NPT

6.1

1.6

1" NPT OUTLET

3/8" NPT



Product	ENGLISH	CD No.	Date
DOUBLE DUTY DD4 STEAM TRAP / PUMP	WEB Y N x	CD2030	6/26/07
		Rev: A	By:Matt Mc