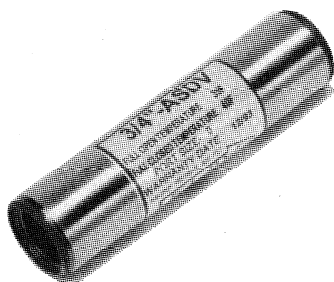


Ambient Sensing Drain Valve

For freeze protection of condensate systems up to 300 psig (20.7 bar) (2068 kpa)



ASDV
Ambient Sensing
Drain Valve

Applications

The Armstrong ASDV is ideal for protection of piping, valves, fittings, pumps, condensate systems, safety showers, fire lines, spray nozzles, freeze sensitive equipment, etc., or as back-up protection on steam traced systems or equipment.

Operation

The ASDV thermal element senses ambient temperature, and at a pre-set temperature the drain valve will open. Water from the line will then flow past the element. If the water temperature becomes high enough, the valve will then close. If the water temperature is low, the valve will modulate to maintain temperature or will open to drain completely. The valve will be fully open at 35 °F (2 °C). On rising temperature, the valve will be tightly closed at 40 °F (4.4 °C).

Advantages

Manual freeze protection with cracked valves for continuous drainage is wasteful and possibly susceptible to freezing. The ASDV automates freeze prevention and reduces waste by opening only when freezing is imminent and closing when the danger is past. Water loss is minimized and damage and down time are eliminated. The unique ram-type plug and seat provide reliable, tight shut-off longer than any other design. All valves are 100% factory tested.

Design Features

- All stainless steel body, fittings, spring, and plug
- Corrosion resistant for long life
- Narrow temperature band
- Compact low mass; fast response
- Ram-type plug for reliable tight shut-off
- Downstream actuator for greater sensitivity
- Sensitive to temperature only
- Unaffected by pressure variations
- Easy installation with simple wrenches



Armstrong

Ambient Sensing Drain Valve - ASDV

List of Materials

Item	Name of Part	Material
1	Tubular body	304 Stainless Steel
2	Inlet fitting	303 Stainless Steel
3	Seat seal	PTFE
4	Operating spring	Stainless Steel
5	Ram-type plug	303 Stainless Steel
6	Thermal actuator	F.M. Brass **
7	Actuator carrier	F.M. Brass **
8	Outlet fitting	303 Stainless Steel

** All Stainless Steel models available

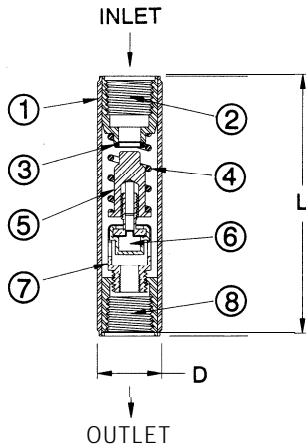
Specifications

Maximum Operating Pressure	300 psi, 20.7 bar
Maximum Operating Temperature	Saturated Steam Temperature
Full Open Temperature	35°F (2 °C)
Full Closed Temperature	*40°F (4.4 °C)
Flow Coefficient C_v at Set-Point 3/8" and 1/2" NPT or BSPT (See Capacity Chart 624)	Port Sizes: A - 0.13 B - 0.57 C - 0.82 (Std)
3/4" NPT or BSPT	D - 2.0 (Std)

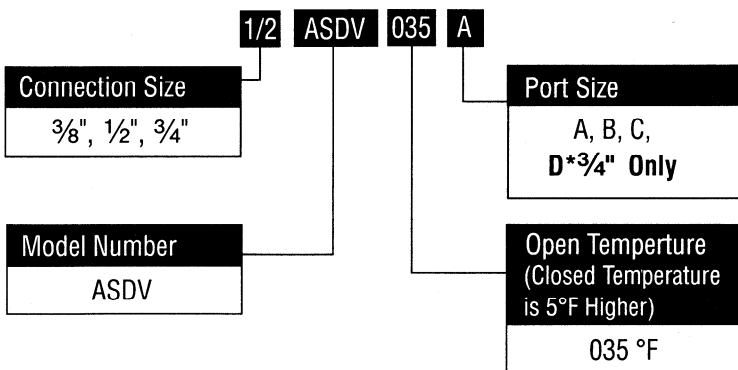
*Other set-points available with longer lead times and minimum quantities required.

Dimensions and Weights

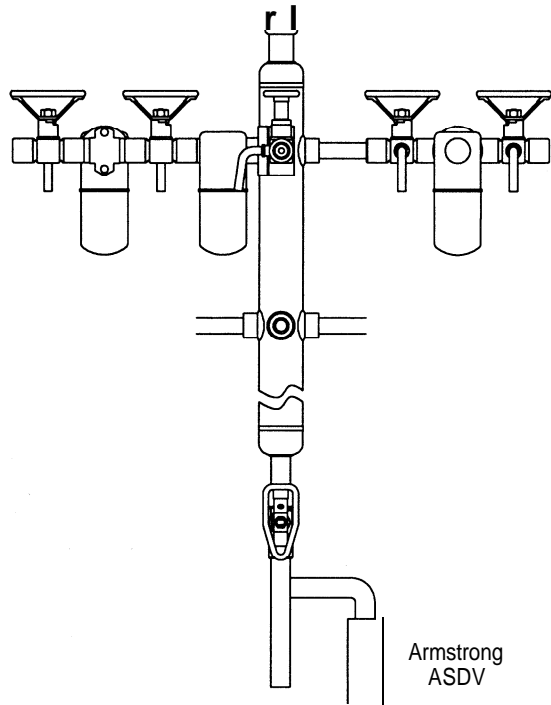
Size Tube OD (in)	D in (mm)	L in (mm)	Weight lb (kg)
3/8 or 1/2	1 1/8 (28)	4 1/2 (114)	3/4 (0.31)
3/4	1 3/8 (34)	5 1/2 (140)	1 1/4 (0.54)



How to Order



Armstrong ASDV on Manifold Assembly



Armstrong International, Inc.

816 Maple Street, Three Rivers, Michigan 49093/ Phone: (616) 273-1415/ Fax: (616) 278-6555

Steam Traps \ Humidifiers \ Steam Coils \ Valves