

DIMENSIONS & DATA CERTIFIED FOR:

Representative:

Order:

Customer:

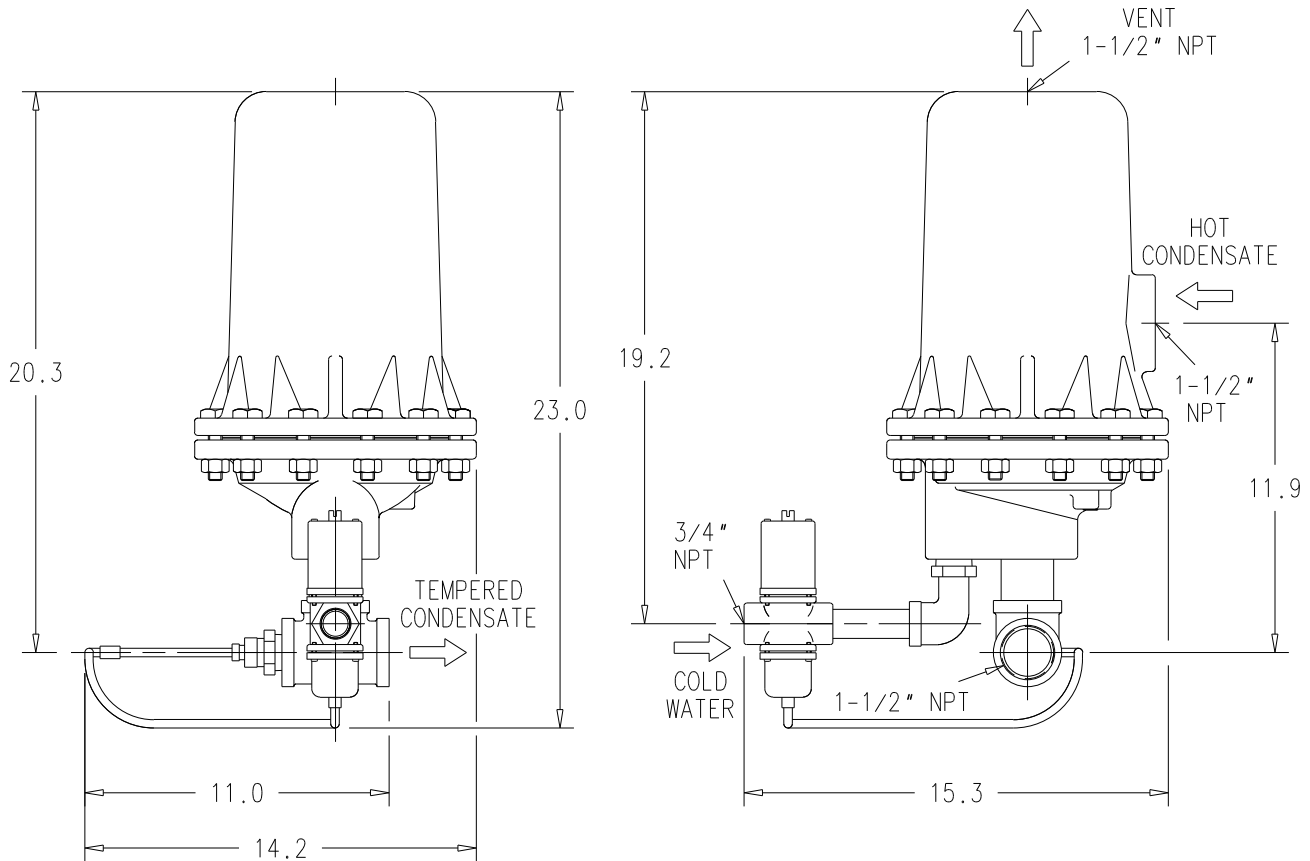
Order:

Project:

Requirements:

By:


Date:



NOTES:

1. Tempered Condensate Range:
 Factory Set 135°F [57°C]
 Field Set 115 To 180°F [46 To 82°C]
2. Capacity: 12 GPM w/180 °F Condensate

| | |
|---|--------------------|
| List Of Materials | CC-12 |
| Body | ASTM A48 Cast Iron |
| Pipe & Fittings -Condensate -Cold Water | Malleable Iron |
| Body (Controller) | Brass |
| Sensing Bulb | Bronze |

| | | |
|---|---------|---------|
|  Armstrong Pressure/Temperature Group 221 Armstrong Blvd., Three Rivers, MI. 49093 Armstrong (269) 279-3600 Fax(269) 273-8656 Posted on Armstrong's homepage www.armstrong-intl.com | | |
| Product | CDY No. | Date |
| CONDENSATE COOLER CC-12 | 1073 | 1/13/98 |
| | | Rev. C |