

# DIMENSIONS & DATA CERTIFIED FOR:

Representative:

Order:

Customer:

Order:

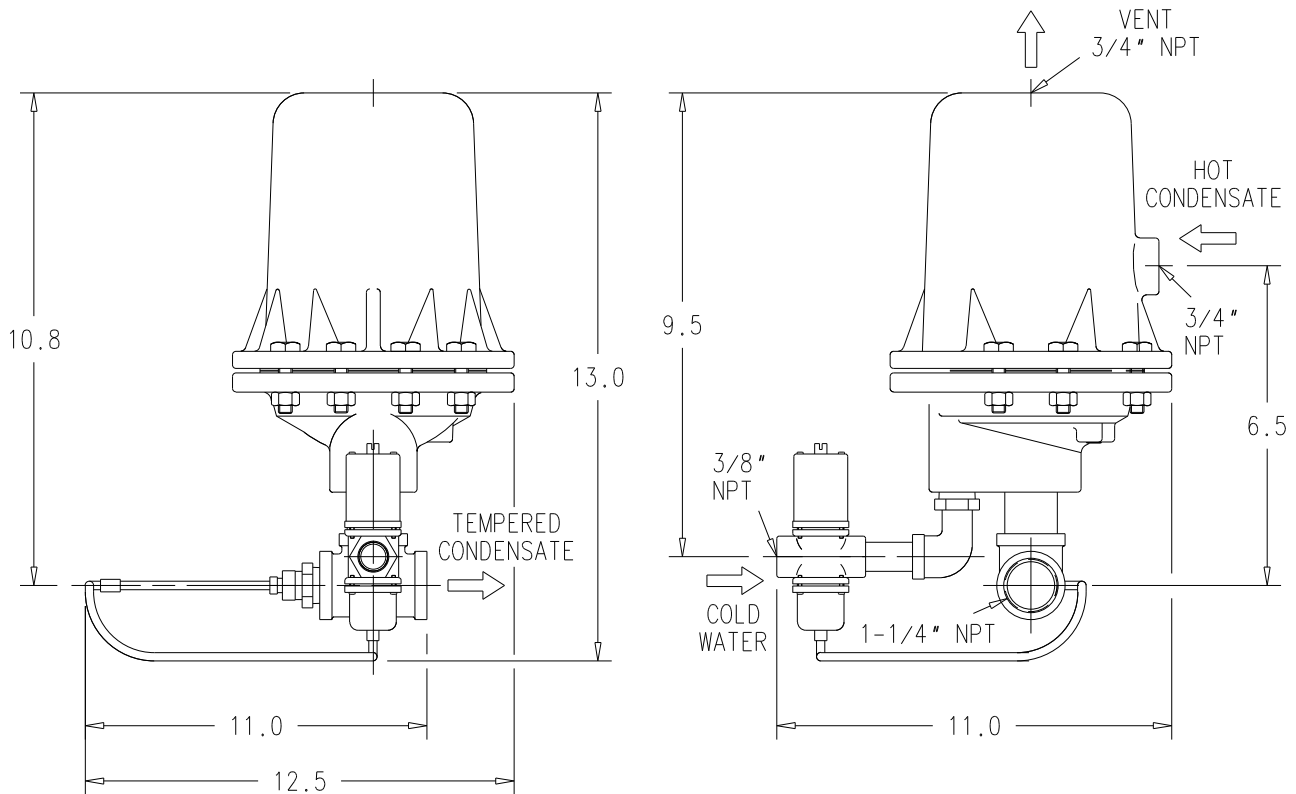
Project:

Requirements:

By:

Date:

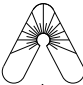
*DRAWING NOT TO SCALE*



**NOTES:**

1. Tempered Condensate Range:  
 Factory Set 135°F [57°C]  
 Field Set 115 To 180°F [46 To 82°C]
2. Capacity: 5 GPM w/180 °F Condensate

List Of Materials	CC-5
Body	ASTM A48 Cast Iron
Pipe & Fittings -Condensate -Cold Water	Malleable Iron
Body (Controller)	Brass
Sensing Bulb	Bronze

 Armstrong Pressure/Temperature Group 221 Armstrong Blvd., Three Rivers, MI. 49093 <b>Armstrong</b> (269) 279-3600 Fax(269) 273-8656 Posted on Armstrong's homepage <a href="http://www.armstrong-intl.com">www.armstrong-intl.com</a>		
Product	CDY No.	Date
CONDENSATE COOLER CC-5	1000	1/13/98
		Rev. B