

# DIMENSIONS & DATA CERTIFIED FOR:

Representative:

Order:

Customer:

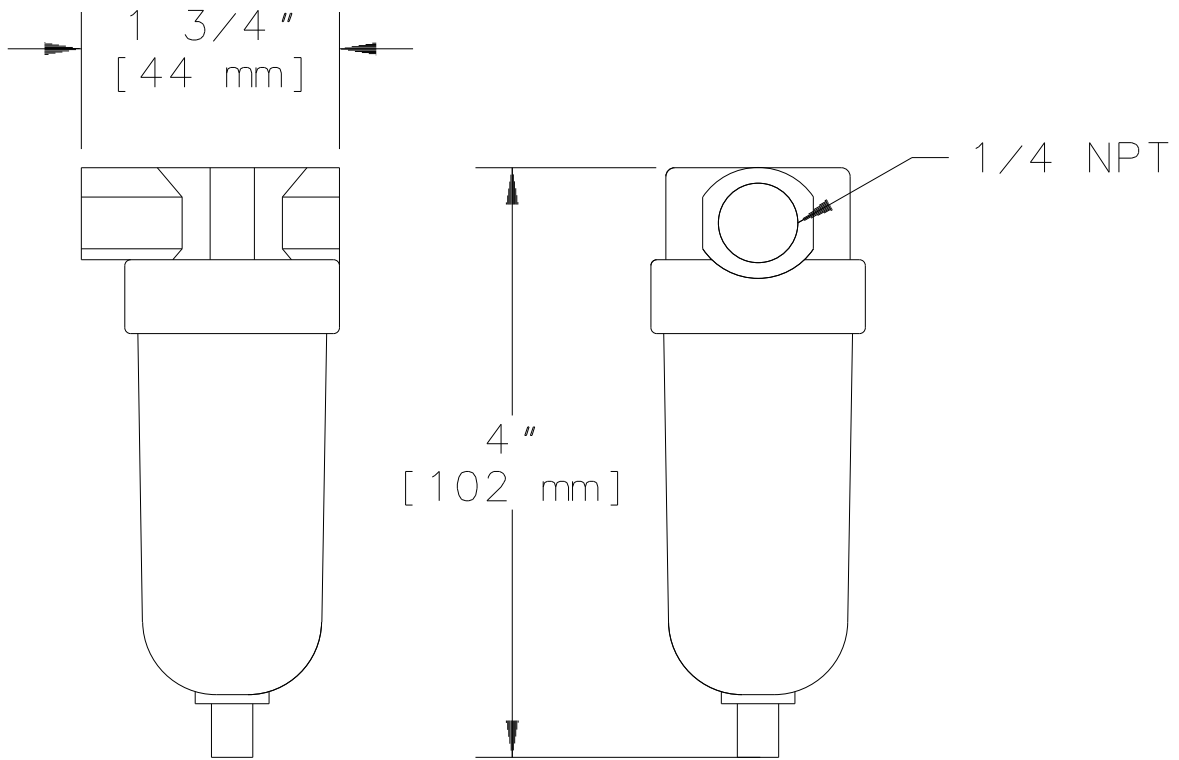
Order:

Project:

Requirements:

By:

Date:



### Specifications

Inlet pressure maximum	250 psig [17 bar]
Temperature maximum	175 °F [79 °C]

### Materials List

Body	Zinc
Bowl	Zinc
Element	Porous polypropylene
Elastomers	Nitrile, neoprene and polyurethane



Armstrong Pressure/Temperature Group  
 221 Armstrong Blvd.,  
 Three Rivers, MI. 49093  
**Armstrong** (269) 279-3600 Fax(269) 273-8656  
 Posted on Armstrong's homepage [www.armstrong-intl.com](http://www.armstrong-intl.com)

Product	CDY No.	Date
FILTER	1031	Rev. A