

DIMENSIONS & DATA CERTIFIED FOR:

Representative:

Order:

Customer:

Order:

Project:

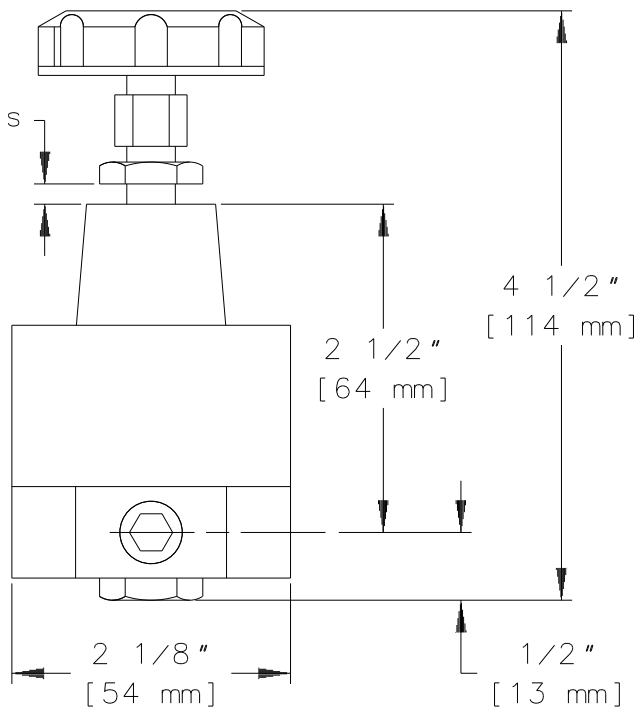
Requirements:

By:

Date:

Maximum Panel Thickness
3/32" [2.4 mm]

Panel Mounting Hole
15/32" [12 mm] Dia.



Specifications	
Inlet pressure maximum	200 psig [14 bar]
Outlet pressure maximum	150 psig [10 bar]
Temperature maximum	160 °F [71 °C]

Materials List	
Body	Zinc
Bottom Plug	Brass
Pilot Diaphragm	Nitrile
Main Diaphragm	Nitrile
Pilot Valve	Stainless Steel
Main Valve	Polycarbonate
Main Valve Seat	Teflon
Elastomers	Nitrile, neoprene and polyurethane

NOTE: Use an Armstrong AF-10, 5 micron air filter upstream of panel mate to prevent fouling.


 Armstrong Pressure/Temperature Group
 221 Armstrong Blvd.,
 Three Rivers, MI. 49093
Armstrong (269) 279-3600 Fax(269) 273-8656
 Posted on Armstrong's homepage www.armstrong-intl.com

Product	CDY No.	Date
PANEL MATE	1030	3/03/98
		Rev. A