

# DIMENSIONS & DATA CERTIFIED FOR:

Representative:

Order:

Customer:

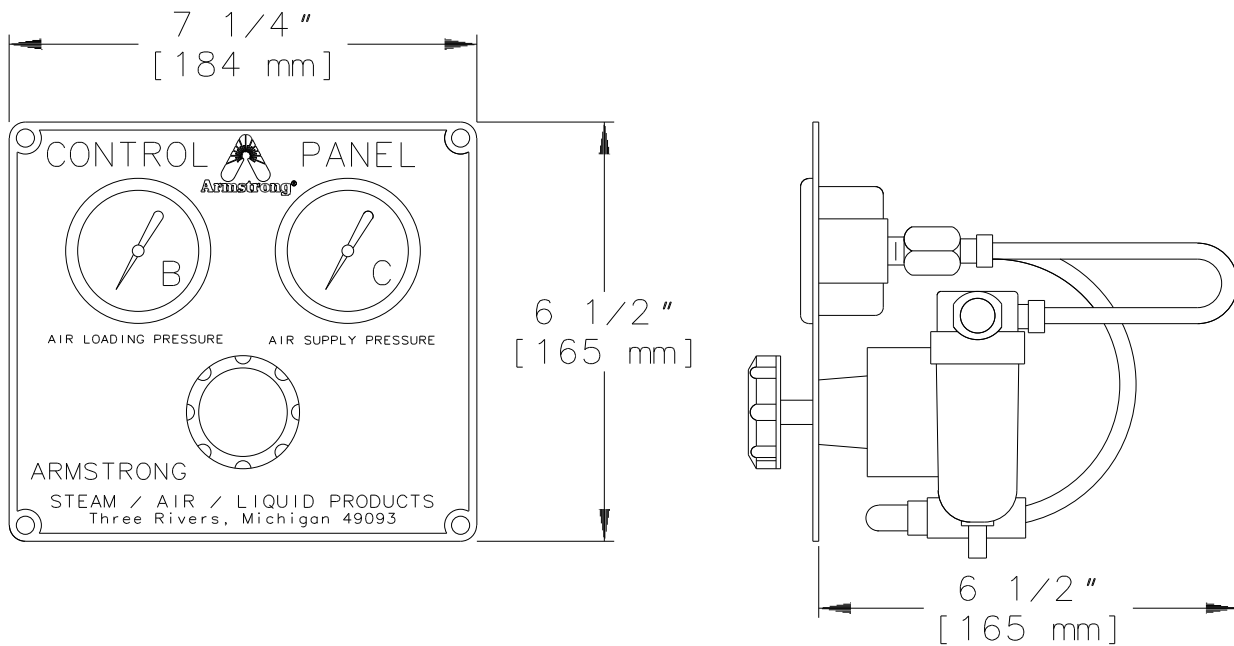
Order:

Project:

Requirements:

By:

Date:



## Specifications

Gauge "B"	0-100 psig [0-7 bar]
Gauge "C"	0-100 psig [0-7 bar]
Optional: Gauge "B" Ranges	0-30 psig, 0-60 psig, 0-100 psig, 0-150 psig, 0-200 psig, 0-300 psig [0-2 bar], [0-4 bar], [0-7 bar], [0-10.5 bar] [0-14 bar], [0-20.5 bar]
Maximum Inlet Air Pressure	200 psig [14 bar]
Maximum Outlet Air Pressure	150 psig [10.5 bar]

- NOTE: 1) Panel material is anodized aluminum.  
2) For specifications on regulator & filter see CDY1030 & CDY1031



Armstrong Pressure/Temperature Group  
221 Armstrong Blvd.,  
Three Rivers, MI. 49093  
**Armstrong** (269) 279-3600 Fax(269) 273-8656  
Posted on Armstrong's homepage [www.armstrong-intl.com](http://www.armstrong-intl.com)

Product	CDY No.	Date
PANEL "Y"	1029	2/24/98
		Rev. A