

# DIMENSIONS & DATA CERTIFIED FOR:

Representative:

Order:

Customer:

Order:

Project:

Requirements:

By:

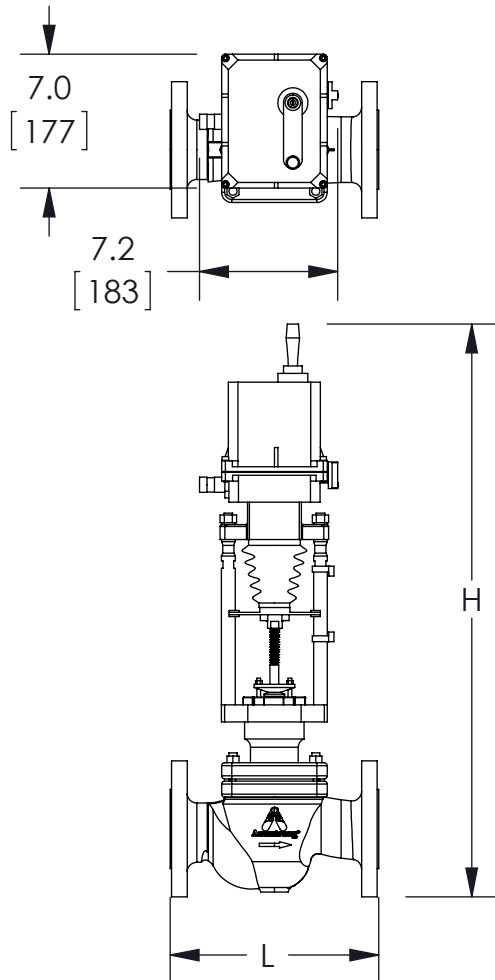
Date:

### LIST OF MATERIALS

NAME OF PART	MATERIAL
BODY, VALVE*, BONNET*	A216 GR. WCB CARBON STEEL
VALVE & VALVE SEAT	AISI 431 STAINLESS STEEL
VALVE STEM	T316 STAINLESS STEEL
GLAND PACKING	V-TEFLON OPT. 1(366°F [186°C] MAX), GRAPHOIL OPT.2
YOKE	S.G. IRON
BODY, ACTUATOR	DIE CAST ALUMINUM
BOOT BELLOWS, ACTUATOR	EPDM
* STAINLESS STEEL OPTION	

### TECHNICAL INFORMATION

MODEL NO.	PYTHON 1100 SERIES CONTROL VALVE	
PLUG DESIGN	CONTOURED TOP GUIDED (UNBALANCED)	
FLOW CHARACTERISTICS	PLUG AND SEAT	
LEAKAGE	ANSI CLASS IV	
TRAVEL	1-1/4" TO 2"	1-1/8[28]
IN[MM]	2-1/2" TO 4"	1-1/2[38]
MAX. ALLOWABLE PRESSURE (VESSEL DESIGN)	300 PSI @ 450°F [20 BAR @ 232°C]	
MODEL NO.	AEL1438	
SWITCHING THRUST(N)	1-1/4"	1900
	1-1/2"	3600
	2" TO 4"	4600
CONTROL SIGNAL	4-20 mA MODULATING	
CONTROL VOLTAGE	24 VOLTS AC (120V AC OR 240V OPT.)	
SPEED (MM/MIN)	48	



Dimensions Are In Inches [mm]

### DESIGN INFORMATION

SIZE IN[DN]	"L" IN[MM]	"H" IN[MM]	CV	WEIGHT LBS. [KGS]
1-1/4[32]	8.7[222]	26.1[664]	20	55[25]
1-1/2[40]			30	
2[50]	10[254]	26.7[678]	50	65[30]
2-1/2[65]	10.9[276]	26.3[668]	80	120[54]
3[80]	11.7[299]	28.5[724]	110	135[61]
4[100]	13.9[353]	31.6[803]	200	176[80]



Product

ENGLISH

CD No.

Rev;

Date

CV AEL 1-1/4 1-1/2 2 2-1/2 3 4 150RF  
CCS WCB TG TEFL 4-20 24VAC

WEB  
Y|N

CD2828

A

01/11/2013

SHEET 1 OF 1

By: GANESH KUMAR