

DIMENSIONS & DATA CERTIFIED FOR:

Representative:

Order:

Customer:

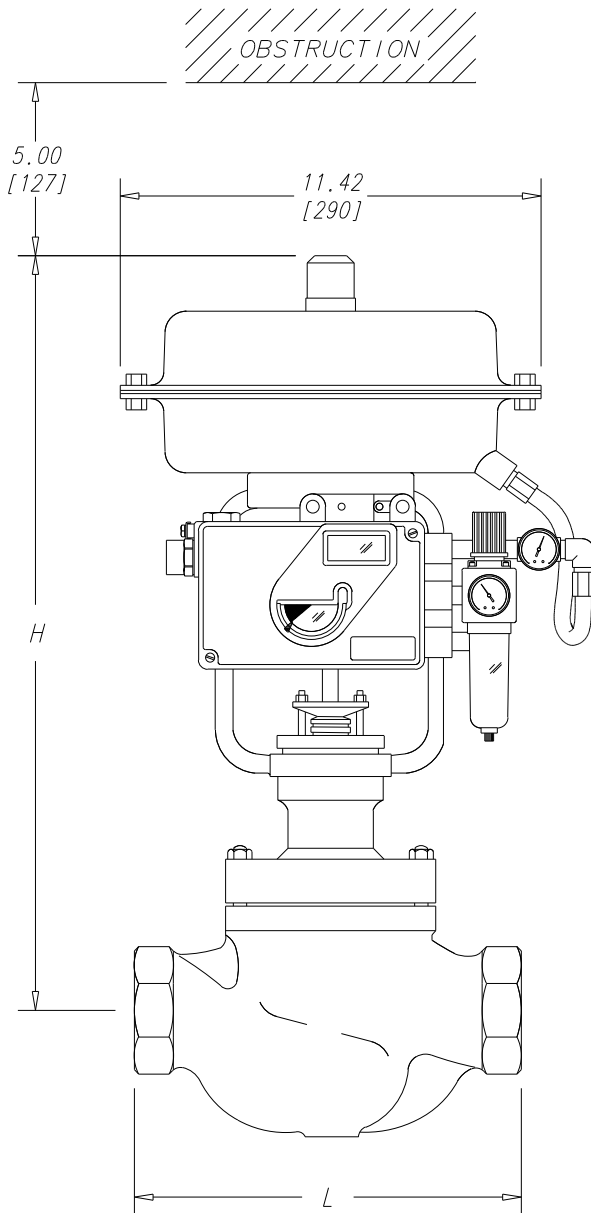
Order:

Project:

Requirements:

By:

Date:



LIST OF MATERIALS	
PART	MATERIAL
VALVE BODY	CARBON STEEL A216 GR. WCB
BONNET	CARBON STEEL A216 GR. WCB
VALVE / VALVE SEAT	STAINLESS STEEL AISI 431
VALVE STEM	STAINLESS STEEL 316
GLAND PACKING	V-TEFLON (OPTION 1) 366°F MAX. GRAFOIL (OPTION 2)
YOKE	S.G. IRON
ACTUATOR SPRING	CHROME VANADIUM SPRING STEEL
ACTUATOR DIAPHRAGM	NITRILE REINFORCED with NYLON FIBER

CONTROL VALVE TECHNICAL DATA	
PLUG DESIGN	MULTI-HOLE CAGE (BALANCED)
FLOW CHARACTERISTICS	EQUAL PERCENTAGE
LEAKAGE	ANSI CLASS IV
RANGEABILITY	50:1
TRAVEL	1.1 [28]
MAXIMUM TEMPERATURE	450°F [232°C]
MAXIMUM PRESSURE	300 PSIG [20 bar]

POSITIONER TECHNICAL DATA	
ANALOG	SETPOINT 4-20 mA
DISPLAY	MECHANICAL INDICATOR (STD.)
AIR SUPPLY	20-50 PSIG [1.4-3.5 bar]
PROTECTION CLASS	NEMA 4X
ELECTRICAL CLASSIFICATION FM / CSA	INTRINSIC SAFETY CLASS I, DIV. 1, GROUPS A, B, C, D
ELECTRICAL CONNECTION	1/2 NPT [15 DN]
PNEUMATIC CONNECTION	1/4 NPT [8 DN]
AMBIENT TEMPERATURE	-40° to +176°F [-40° to +80°C]

DIMENSIONS & WEIGHTS				
SIZE NPT [DN]	L	H	C _v	WEIGHT lbs [kgs]
1-1/2 [40]	9.25 [235.0]	20.28 [515.1]	24	51 [23.1]
2 [50]	10.50 [266.7]	20.47 [519.9]	40	60 [27.2]

Dimensions are in inches [mm]

NOTES:

1. REDUCED TRIM C_v AVAILABLE.



Product	ENGLISH	CD No.	Date
PYTHON 1100 SERIES CONTROL VALVE THD'D MULTI-HOLE CAGE GUIDED w/ANALOG POSITIONER	WEB YIN	CD2089	10/23/07
	✓	Rev; A	By; Hooley