

# DIMENSIONS & DATA CERTIFIED FOR:

Representative:

Order:

Customer:

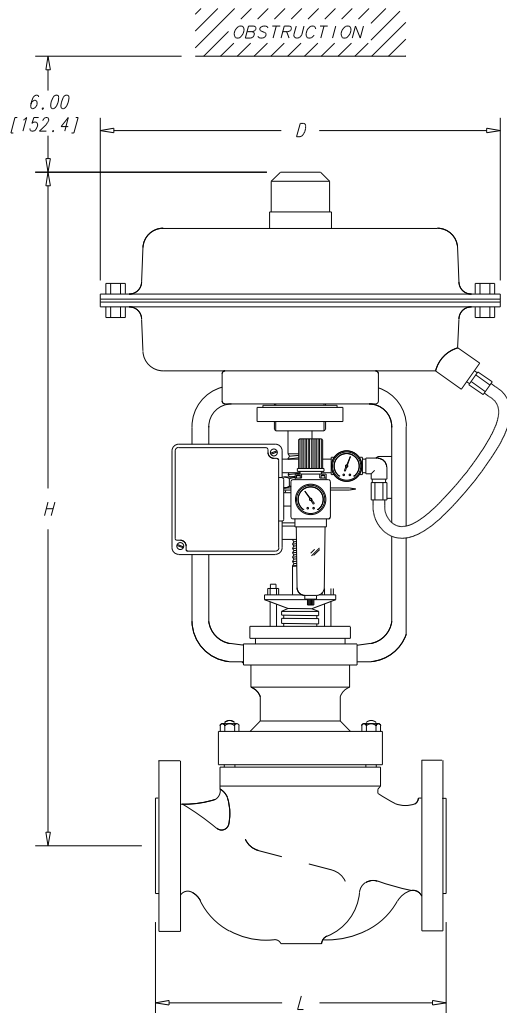
Order:

Project:

Requirements:

By:

Date:



Dimensions & Weights						
SIZE NPT [DN]	ANSI FLG. CLASS	L	D	H	C <sub>v</sub>	WEIGHT lbs [kgs]
1/2 [15]	150#	7.00 [177.8]	11.42 [290.1]	18.50 [469.9]	5	34 [15.4]
3/4 [20]		7.12 [181.0]			9	
1 [25]		7.25 [184.2]			13	
1-1/2 [40]		8.75 [222.2]	20.28 [515.1]	25.20 [640.1]	30	55 [24.9]
2 [50]		10.00 [254.0]			50	65 [29.5]
2-1/2 [65]		10.88 [276.4]	14.96 [380.0]	26.38 [669.9]	80	120 [54.4]
3 [80]		11.75 [298.4]			110	135 [61.2]
4 [100]		13.88 [352.4]			200	176 [79.8]
6 [150]		17.75 [450.9]	17.64 [448.0]	33.47 [850.1]	320	322.0 [146.0]

Dimensions are in inches [mm]

LIST OF MATERIALS	
PART	MATERIAL
VALVE BODY	STAINLESS STEEL A351 GR. CF8M
BONNET	STAINLESS STEEL A351 GR. CF8M
VALVE / VALVE SEAT	STAINLESS STEEL 316
VALVE STEM	STAINLESS STEEL 316
GLAND PACKING	V-TEFLON (OPTION 1) 366°F MAX. GRAFOIL (OPTION 2)
YOKE	S.G. IRON
ACTUATOR SPRING	CHROME VANADIUM SPRING STEEL
ACTUATOR DIAPHRAGM	NITRILE REINFORCED with NYLON FIBER

POSITIONER TECHNICAL DATA	
CONTROL SIGNAL	SETPOINT 3-15 PSIG [0.2-1.0 bar]
AIR SUPPLY	20-50 PSIG [1.4-3.5 bar]
PROTECTION CLASS	IP54
PNEUMATIC CONNECTION	1/4 NPT [8 DN]
AMBIENT TEMPERATURE	-40° to +176°F [-40° to +80°C]

CONTROL VALVE TECHNICAL DATA	
PLUG DESIGN	CONTOURED TOP (UNBALANCED)
FLOW CHARACTERISTICS	EQUAL PERCENTAGE
LEAKAGE	ANSI CLASS IV
RANGEABILITY	50:1
TRAVEL	1.5 [38]
MAXIMUM TEMPERATURE	450°F [232°C]
MAXIMUM PRESSURE	300 PSIG [20 bar]

NOTES:

1. REDUCED TRIM C<sub>v</sub> AVAILABLE.



Product  
**PYTHON 1100 SERIES CONTROL VALVE**  
 STAINLESS STEEL BODY FLANGED  
 CONTOURED TOP-GUIDED w/PNEUMATIC POSITIONER

ENGLISH  
 WEB  
 YIN

CD No.  
**CD2218**  
 Rev; A

Date  
 01/07/09  
 By; D. Westphal