

# DIMENSIONS & DATA CERTIFIED FOR:

Representative:

Order:

Customer:

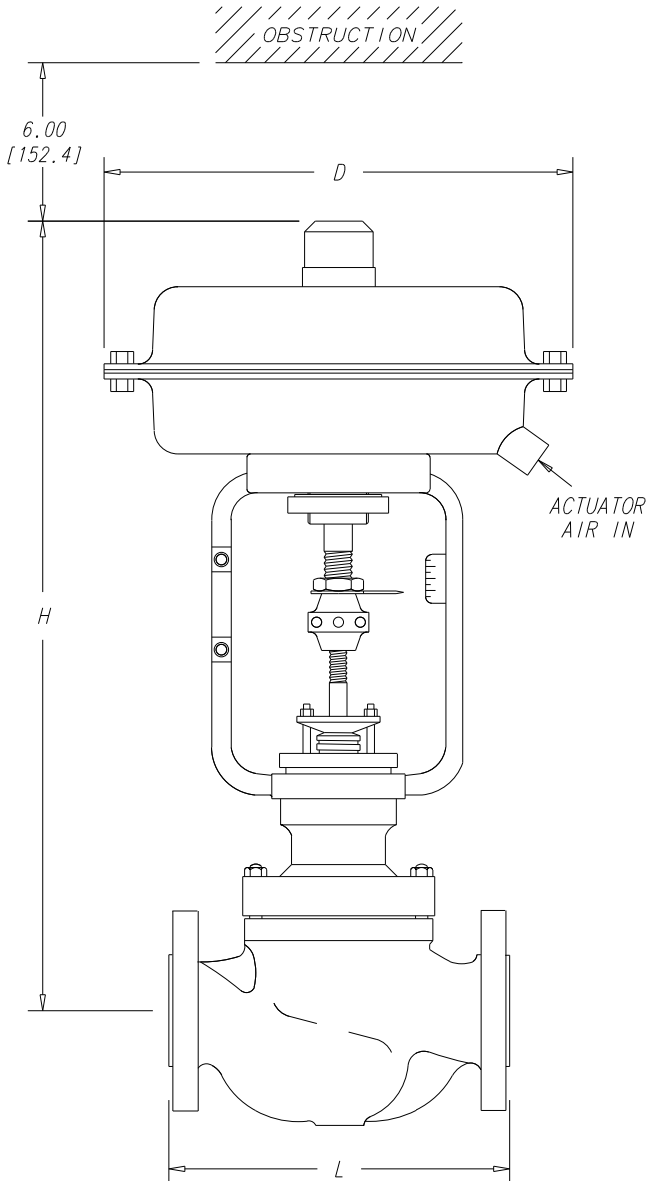
Order:

Project:

Requirements:

By:

Date:



LIST OF MATERIALS	
PART	MATERIAL
VALVE BODY	CARBON STEEL A216 GR. WCB
BONNET	CARBON STEEL A216 GR. WCB
VALVE / VALVE SEAT	STAINLESS STEEL AISI 431
VALVE STEM	STAINLESS STEEL 316
GLAND PACKING	V-TEFLON (OPTION 1) 366°F MAX. GRAFOIL (OPTION 2)
YOKE	S.G. IRON
ACTUATOR SPRING	CHROME VANADIUM SPRING STEEL
ACTUATOR DIAPHRAGM	NITRILE REINFORCED with NYLON FIBER

TECHNICAL DATA		
PLUG DESIGN	CONTOURED TOP (UNBALANCED)	
FLOW CHARACTERISTICS	EQUAL PERCENTAGE	
LEAKAGE	ANSI CLASS IV	
RANGEABILITY	50:1	
TRAVEL	1/2" [15] - 1" [25]	0.7 [18]
	1-1/2" [40] - 2" [50]	1.1 [28]
	2-1/2" [65] - 4" [100]	1.5 [38]
	6" [150]	2.3 [58]
MAXIMUM TEMPERATURE	450°F [232°C]	
MAXIMUM PRESSURE	150 PSIG [10 bar]	

Dimensions & Weights							
SIZE NPT [DN]	ANSI FLG. CLASS	L	D	H	C <sub>v</sub>	WEIGHT lbs [kgs]	
1/2 [15]	150#	7.00 [177.8]	11.42 [290.1]	18.50 [469.9]	5	34 [15.4]	
3/4 [20]		7.12 [181.0]			9		
1 [25]		7.25 [184.2]			13	36 [16.3]	
1-1/2 [40]		8.75 [222.2]			30		
2 [50]		10.00 [254.0]	20.28 [515.1]	50	55 [24.9]		
2-1/2 [65]		10.88 [276.4]		80	65 [29.5]		
3 [80]		11.75 [298.4]	14.96 [380.0]	25.20 [640.1]	110	120 [54.4]	
4 [100]		13.88 [352.4]			200	135 [61.2]	
6 [150]		17.75 [450.9]	17.64 [448.0]	33.47 [850.1]	320	176 [79.8]	
							322.0 [146.0]

NOTES:

1. REDUCED TRIM C<sub>v</sub> AVAILABLE.

Dimensions are in inches [mm]



Product ENGLISH  
**PYTHON 1100 SERIES CONTROL VALVE**  
 150# FLANGED CONTOURED TOP GUIDED (UNBALANCED)

WEB YIN  
 CD No. **CD2013**  
 Rev; D

Date **4/30/07**  
 By; *Hooley*