

DIMENSIONS & DATA CERTIFIED FOR:

Representative:

Order:

Customer:

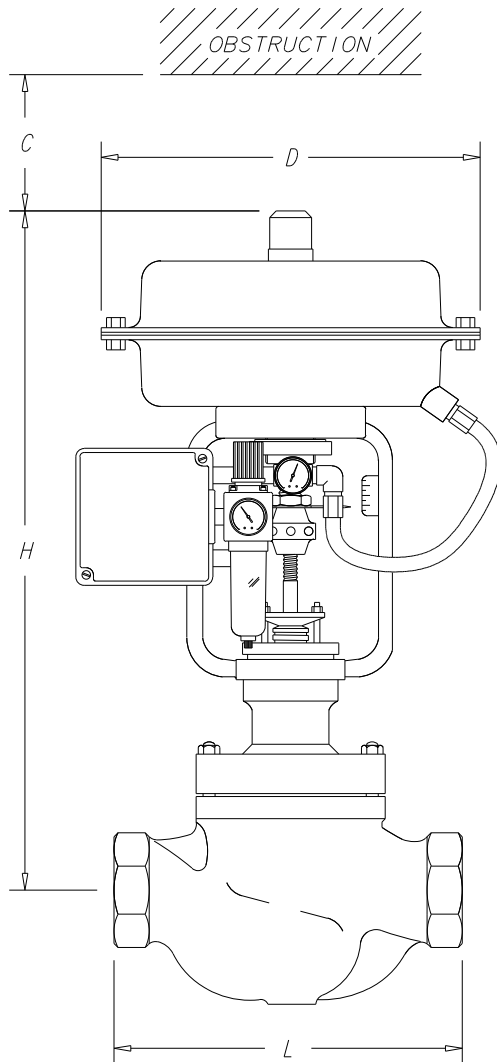
Order:

Project:

Requirements:

By:

Date:



Dimensions & Weights						
SIZE NPT (DN)	L	C	D	H	C _v	WEIGHT lbs (kgs)
1/2 [15]	6.50 [165.1]				5	31 [14.1]
3/4 [20]	6.50 [165.1]	4.00 [101.6]	9.45 [240.0]	18.50 [469.9]	9	31 [14.1]
1 [25]	7.75 [196.8]				13	33 [15.0]
1-1/2 [40]	9.25 [235.0]				30	51 [23.1]
2 [50]	10.50 [266.7]	5.00 [127.0]	11.42 [290.1]	20.28 [515.1]	50	60 [27.2]

Dimensions are in inches [mm]

LIST OF MATERIALS	
PART	MATERIAL
VALVE BODY	CARBON STEEL A216 GR. WCB
BONNET	CARBON STEEL A216 GR. WCB
VALVE / VALVE SEAT	STAINLESS STEEL AISI 431
VALVE STEM	STAINLESS STEEL 316
GLAND PACKING	V-TEFLON (OPTION 1) 366°F MAX. GRAFOIL (OPTION 2)
YOKE	S.G. IRON
ACTUATOR SPRING	CHROME VANADIUM SPRING STEEL
ACTUATOR DIAPHRAGM	NITRILE REINFORCED with NYLON FIBER

POSITIONER TECHNICAL DATA	
CONTROL SIGNAL	SETPOINT 3-15 PSIG [0.2-1.0 bar]
AIR SUPPLY	20-50 PSIG [1.4-3.5 bar]
PROTECTION CLASS	IP54
PNEUMATIC CONNECTION	1/4 NPT [8 DN]
AMBIENT TEMPERATURE	-40° to +176°F [-40° to +80°C]

NOTES:

1. REDUCED TRIM C_v AVAILABLE.

CONTROL VALVE TECHNICAL DATA		
PLUG DESIGN	CONTOURED TOP (UNBALANCED)	
FLOW CHARACTERISTICS	EQUAL PERCENTAGE	
LEAKAGE	ANSI CLASS IV	
RANGEABILITY	50:1	
TRAVEL	1/2" [15] - 1" [25]	0.7 [18]
	1-1/2" [40] - 2" [50]	1.1 [28]
MAXIMUM TEMPERATURE	450°F [232°C]	
MAXIMUM PRESSURE	300 PSIG [20 bar]	



Armstrong

www.armstronginternational.com

Product

ENGLISH

CD No.

Date

PYTHON 1100 SERIES CONTROL VALVE
THD'D CONTOURED TOP-GUIDED w/PNEUMATIC POSITIONER

WEB
YIN

CD2092

10/23/07

Rev; A

By; Hooley

04020396