

DIMENSIONS & DATA CERTIFIED FOR:

Representative:

Order:

Customer:

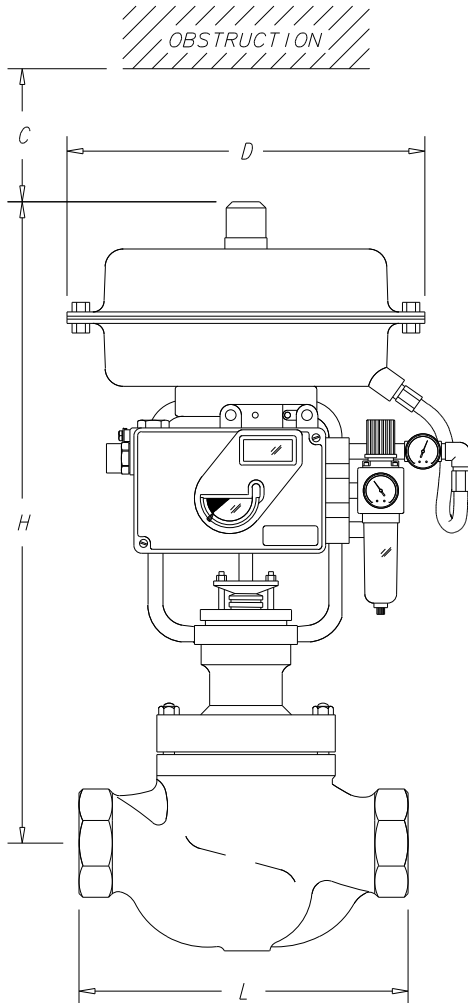
Order:

Project:

Requirements:

By:

Date:



Dimensions & Weights						
SIZE NPT [DN]	L	C	D	H	C _v	WEIGHT lbs [kgs]
1/2 [15]	6.50 [165.1]	4.00 [101.6]	9.45 [240.0]	18.50 [469.9]	5	31 [14.1]
3/4 [20]	6.50 [165.1]				9	31 [14.1]
1 [25]	7.75 [196.8]				13	33 [15.0]
1-1/2 [40]	9.25 [235.0]	5.00 [127.0]	11.42 [290.1]	20.28 [515.1]	30	51 [23.1]
2 [50]	10.50 [266.7]				50	60 [27.2]

Dimensions are in inches [mm]

LIST OF MATERIALS	
PART	MATERIAL
VALVE BODY	CARBON STEEL A216 GR. WCB
BONNET	CARBON STEEL A216 GR. WCB
VALVE / VALVE SEAT	STAINLESS STEEL AISI 431
VALVE STEM	STAINLESS STEEL 316
GLAND PACKING	V-TEFLON (OPTION 1) 366°F MAX. GRAFOIL (OPTION 2)
YOKE	S. G. IRON
ACTUATOR SPRING	CHROME VANADIUM SPRING STEEL
ACTUATOR DIAPHRAGM	NITRILE REINFORCED with NYLON FIBER

CONTROL VALVE TECHNICAL DATA	
PLUG DESIGN	CONTOURED TOP (UNBALANCED)
FLOW CHARACTERISTICS	EQUAL PERCENTAGE
LEAKAGE	ANSI CLASS IV
RANGEABILITY	50:1
TRAVEL	1/2" [15] - 1" [25] 0.7 [18] 1-1/2" [40] - 2" [50] 1.1 [28]
MAXIMUM TEMPERATURE	450°F [232°C]
MAXIMUM PRESSURE	300 PSIG [20 bar]

POSITIONER TECHNICAL DATA	
ANALOG	SETPPOINT 4-20 mA
DISPLAY	MECHANICAL INDICATOR (STD.)
AIR SUPPLY	20-50 PSIG [1.4-3.5 bar]
PROTECTION CLASS	NEMA 4X
ELECTRICAL CLASSIFICATION FM / CSA	INTRINSIC SAFETY CLASS I, DIV. 1, GROUPS A, B, C, D
ELECTRICAL CONNECTION	1/2 NPT [15 DN]
PNEUMATIC CONNECTION	1/4 NPT [8 DN]
AMBIENT TEMPERATURE	-40° to +176°F [-40° to +80°C]

NOTES:

1. REDUCED TRIM C_v AVAILABLE.



Armstrong

www.armstronginternational.com

Product

ENGLISH

CD No.

Date

PYTHON 1100 SERIES CONTROL VALVE
THD'D CONTOURED TOP-GUIDED w/ANALOG POSITIONER

WEB
YIN

CD2093

10/23/07

Rev; A

By; Hooley