



Rescue Cap® Non-Electric Steam/Air Powered Pump Retrofit Assembly



Do you experience maintenance problems with non-electric steam/air powered pumps?

Do you experience spring failures?

Are you dumping valuable condensate because of frequent maintenance?

Do you have to remove the complete cap assembly to view, clean or replace the motive or vent valve?

Condensate Recovery Equipment

Externally replaceable valve and seat assembly

Maintenance is a snap with stainless steel valves that can be cleaned or replaced without cap removal.

Wear and corrosion resistance

Mechanism frame assembly is constructed of rugged investment-cast stainless steel components.

Long life and dependable service

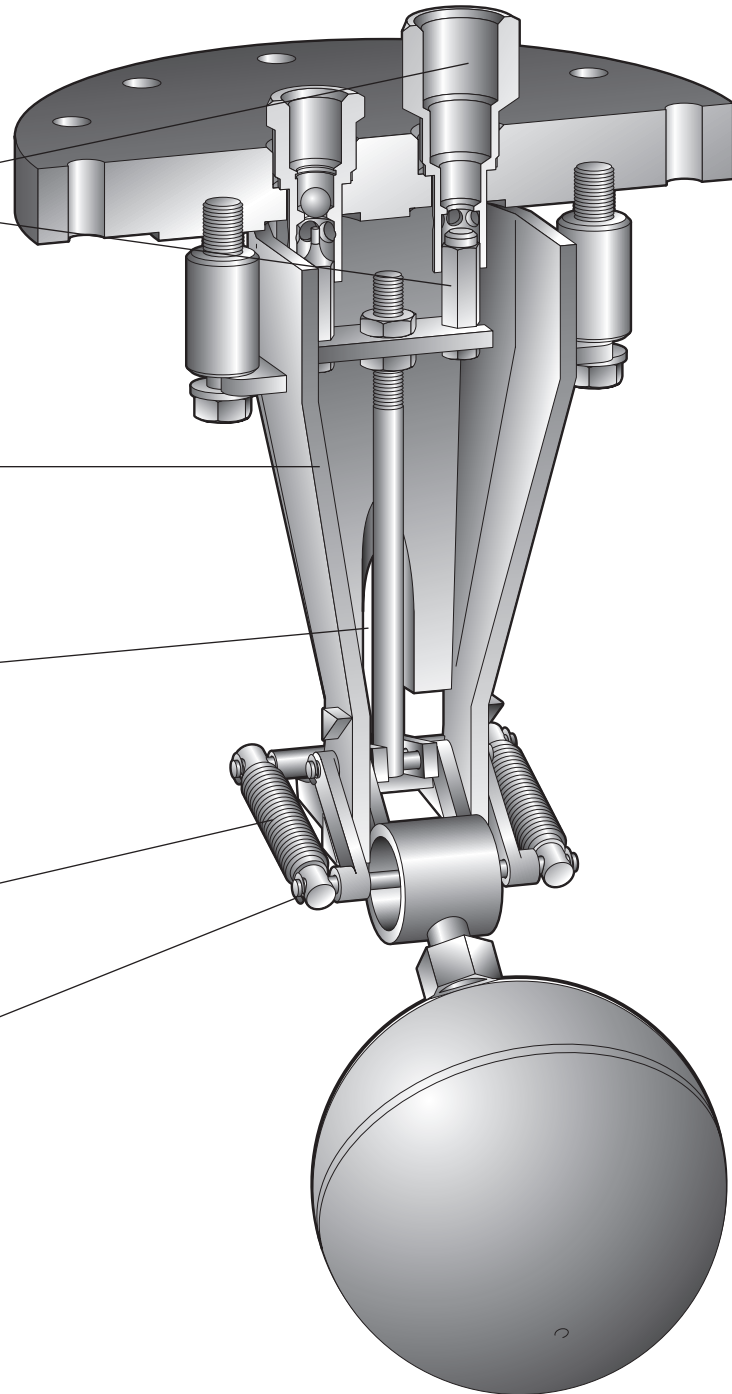
Simple float/spring operation and rugged all stainless steel construction allow for long, trouble-free service life.

Stress chloride corrosion resistance

Inconel X-750 springs have higher resistance to the stress that causes lower-grade stainless steel springs to fail.

Bushings

Reduce friction and wear on pivot points



Designs, materials, weights and performance ratings are approximate and subject to change without notice. Visit armstronginternational.com for up-to-date information.

Rescue Cap® Non-Electric Steam/Air Powered Pump Retrofit Assembly

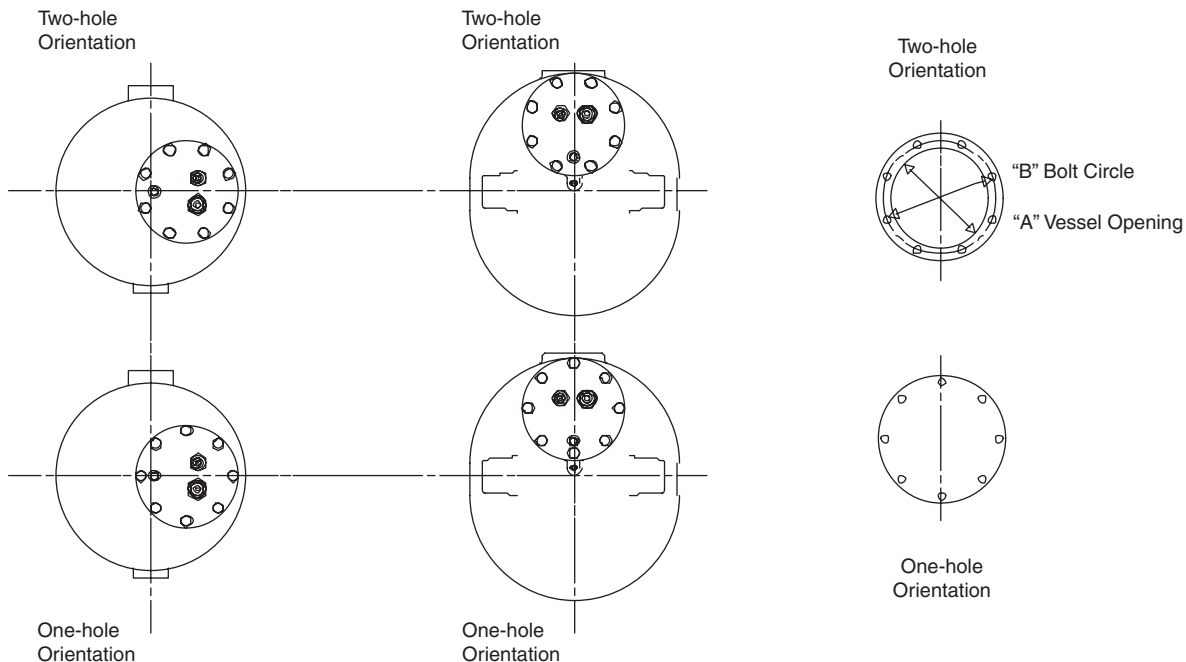


Armstrong's non-electric steam/air powered pump retrofit cap and mechanism assembly fits most competitive models. To ensure proper fit, please provide the following information:

- Manufacturer's name: _____
- Manufacturer's model number: _____
- Number of bolt holes in cap: _____
- Bolt circle dimension "B": _____
- Inside diameter of vessel opening "A": _____
- Bolt hole orientation (one hole or two holes): _____



Condensate Recovery Equipment



Rescue Cap® Non-Electric Steam/Air Powered Pump Retrofit Assembly							
Illustration	Fits Competitors' Mechanical Pumps Listed Below						
	Spirax Sarco Models PTC & PTF PPC & PPF	Watson McDaniel Models PMPC & PMP	Spence & Nicholson Condensate Commanders	KADANT Johnson Corporation	ITT Hoffman PCS	Yarway Series 65 Steel	Clark Reliance

Designs, materials, weights and performance ratings are approximate and subject to change without notice. Visit armstronginternational.com for up-to-date information.