

DIMENSIONS & DATA CERTIFIED FOR:

Representative:

Order:

Customer:

Order:

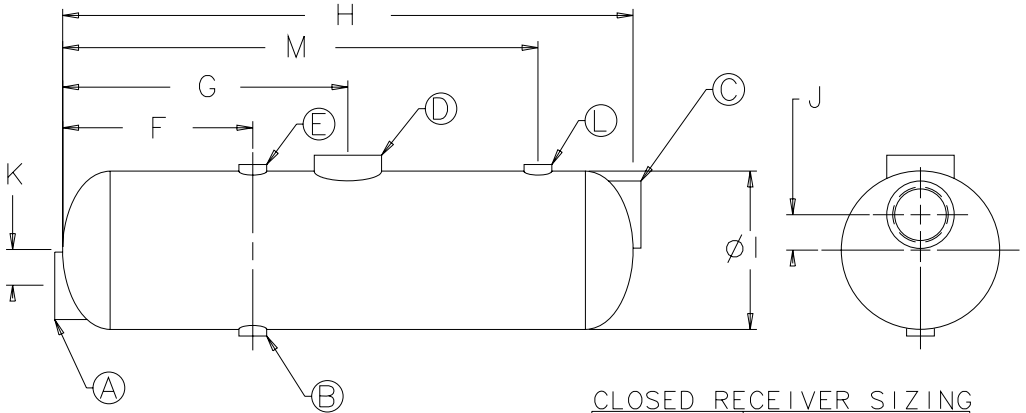
Project:

Requirements:

By:

Date:

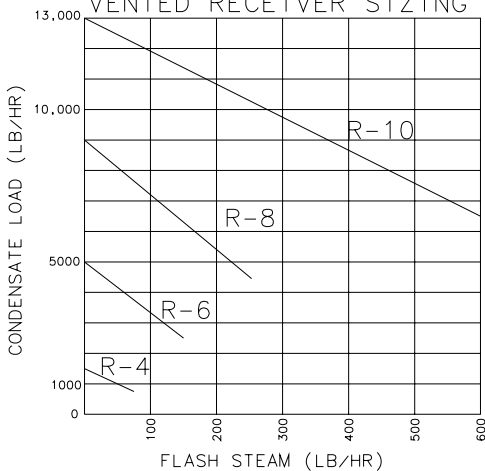
PART NO.	A	B	C	D	E	F	G	H	I	J	K	M	L
R-10	3	1	3	3	1	12	18	36	10	2.25	2.25	30	1
R-8	2	1	2	2.5	1	12	18	36	8	1.75	1.75	30	1
R-6	1.5	1	1.5	2	1	12	18	36	6	1.25	1.25	30	1
R-4	1.5	1	1.5	1.5	1	8	12	24	4	1	1	18	1



CLOSED RECEIVER SIZING

PART NO.	CONDENSATE LOAD (LB/HR)
R-10	13,000
R-8	9000
R-6	5000
R-4	1500

VENTED RECEIVER SIZING



NOTES:

1. ASME SEC. VIII "U"
STAMPED FOR 150 PSIG.
2. ALL CONNECTIONS ARE FNPT.



Armstrong Condensate Management Group
 Three Rivers, MI. 49093
 Telephone (269) 278-6500
 Fax (269) 279-3150

Armstrong

Posted on www.armstronginternational.com

Product	CDF No.	Date
R4-R10 CONDENSATE RECEIVERS	CDF1038	6/8/00
		Rev. C