

Horizontal Flash Tanks (HAFT)

Features

- ASME coded and stamped vessels
- Standard pressure rating 150 psi (other pressure ratings available upon request)
- Standard models are designed and sized to cover a wide range of applications and loads
- Flash vessels are designed to provide low velocity flash steam with no water carryover
- Quick payback for flash recovery investment
- **Special tanks available upon request**
- HAFT-Series horizontal flash tanks for low flash load applications.

For a fully detailed certified drawing, refer to CDF #1038.

Flash Steam Savings Analysis

Part I: Determining the amount of flash steam produced

- A. Condensate Load $A = \underline{\hspace{2cm}}$ lb/hr.
- B. Annual hours of operation $B = \underline{\hspace{2cm}}$ hrs/yr.
- C. Steam Cost $C = \underline{\hspace{2cm}}$ \$/1,000 lbs.
- D. Flash steam percentage from chart $D = \underline{\hspace{2cm}}$ %
(on page 264)
- E. Flash steam produced:
 $D \times A = \text{flash steam produced}$ $E = \underline{\hspace{2cm}}$ lb/hr.

Part II: Determining dollar value of the flash steam

- F. Annual flash steam savings:
$$F = \frac{E \times B \times C}{1,000} \quad F = \underline{\hspace{2cm}} \text{ $/yr.}$$

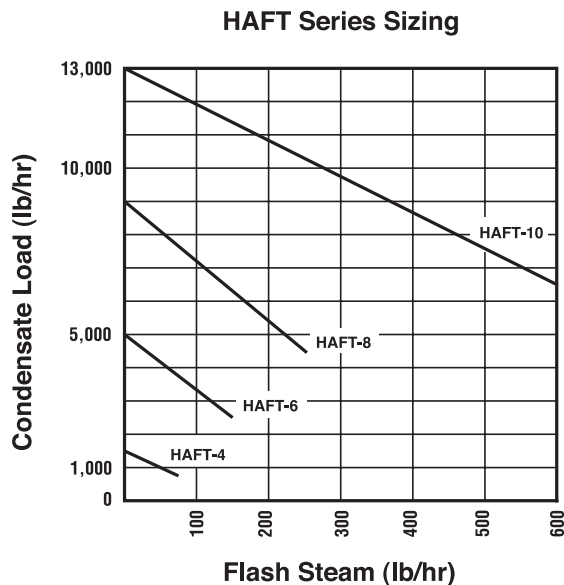
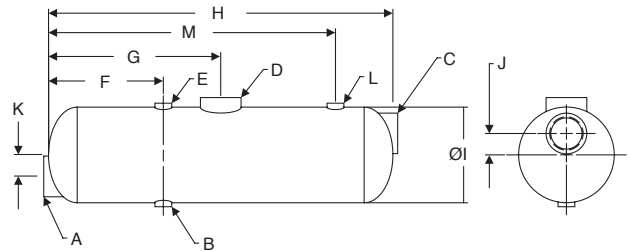
NOTES

1. Models are ASME SEC. VIII "U" stamped for 150 psig
2. All connections are FNPT.

Physical Data — Standard Design Model (HAFT)

Model No.	HAFT-10		HAFT-8		HAFT-6		HAFT-4	
	in	mm	in	mm	in	mm	in	mm
A	3	76	2	50	1-1/2	38	1-1/2	38
B	1	25	1	25	1	25	1	25
C	3	76	2	50	1-1/2	38	1-1/2	38
D	3	76	2-1/2	64	2	50	1-1/2	38
E	1	25	1	25	1	25	1	25
F	12	305	12	305	12	305	8	203
G	18	457	18	457	18	457	12	305
H	36	914	36	914	36	914	24	610
I	10	254	8	203	6	152	4	102
J	2-1/4	57	1-3/4	44	1-1/4	32	1	25
K	2-1/4	57	1-3/4	44	1-1/4	32	1	25
L	1	25	1	25	1	25	1	25
M	30	762	30	762	30	762	18	457

Note: All flash tanks are ASME coded for 150 psig (10 bar). Special sizes and connections available upon request.



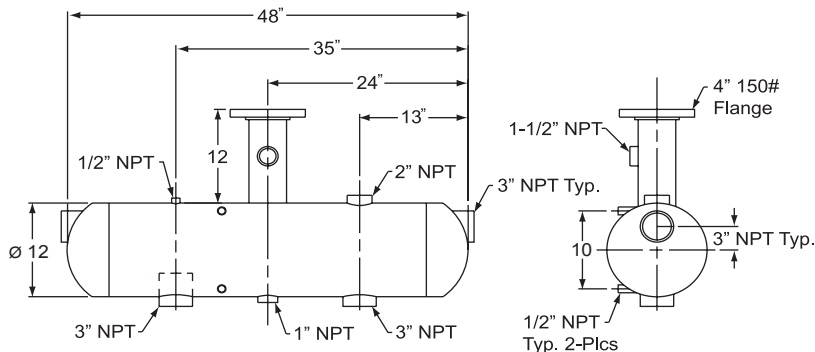
Capacities — Standard Design Model (HAFT)

Model No.	Maximum Condensate Load	
	lb/hr	kg/hr
HAFT-10	13,000	5,897
HAFT-8	9,000	4,082
HAFT-6	5,000	2,268
HAFT-4	1,500	680



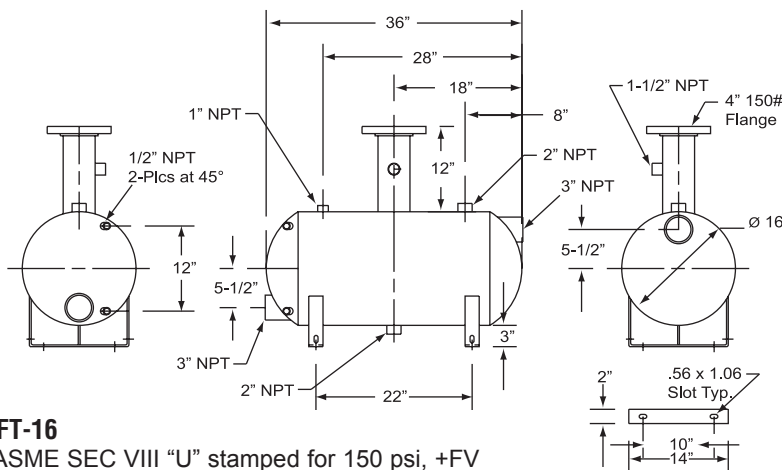
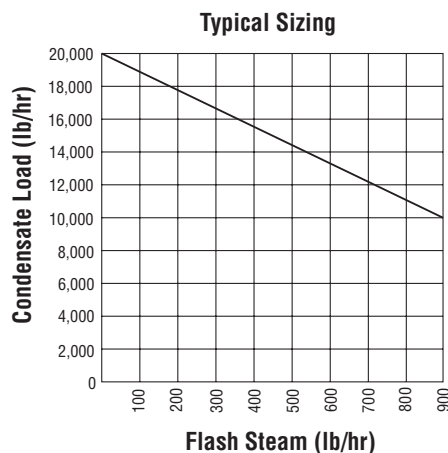
Armstrong® Horizontal Flash Tanks (HAFT)

Condensate Recovery Equipment



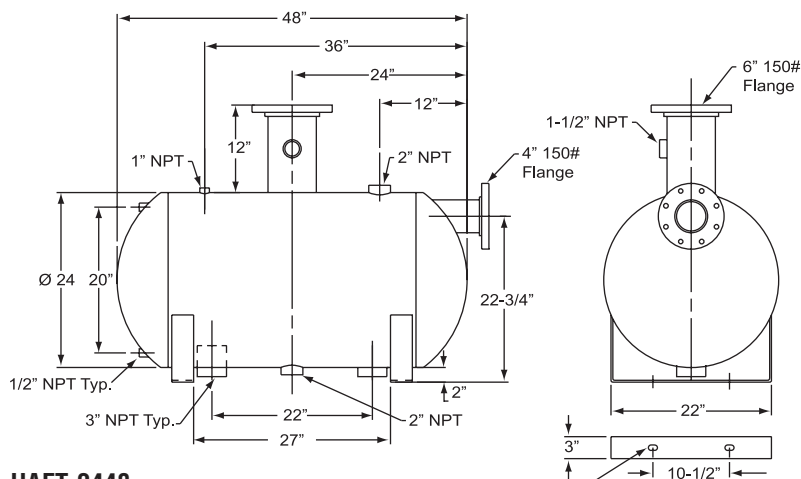
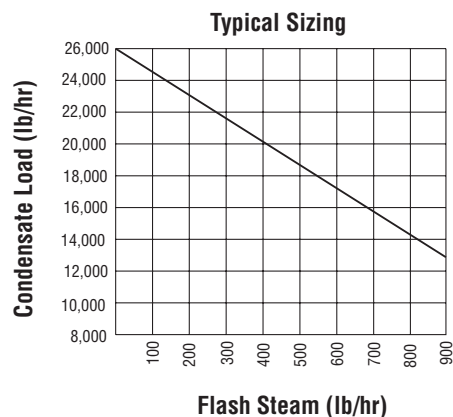
HAFT-12

1. ASME SEC VIII "U" stamped for 150 psi, +FV
2. Temperature rating -20° to 550°F
3. Approximate volume: 22 gallons
4. Maximum flash load 900 lb/hr



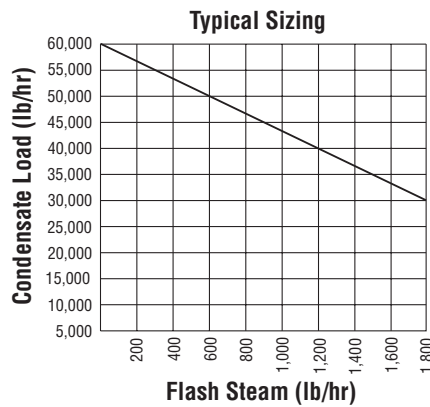
HAFT-16

1. ASME SEC VIII "U" stamped for 150 psi, +FV
2. Temperature rating -20° to 550°F
3. Approximate volume: 30 gallons
4. Maximum flash load 900 lb/hr

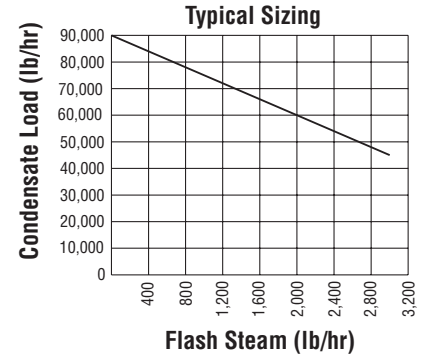
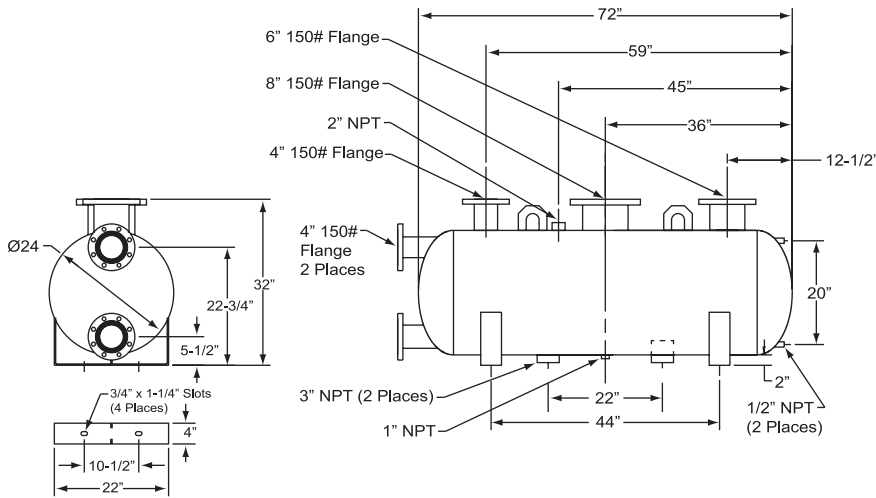


HAFT-2448

1. ASME SEC VIII "U" stamped for 150 psi, +FV
2. Temperature rating -20° to 550°F
3. Approximate volume: 85 gallons
4. Maximum flash load 1,800 lb/hr

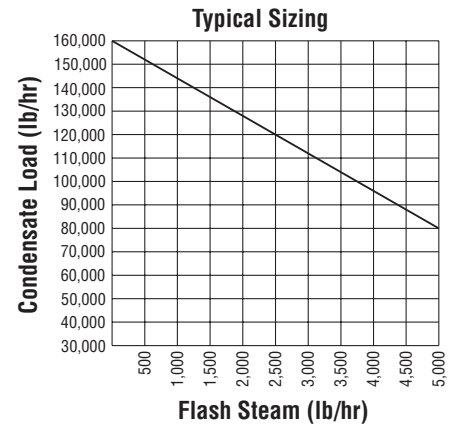
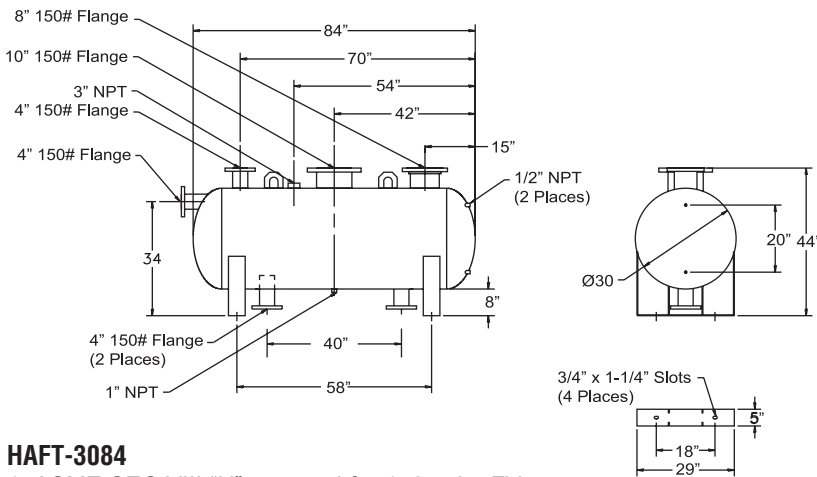


Horizontal Flash Tanks (HAFT)



HAFT-2472

1. ASME SEC VIII "U" stamped for 150 psi, +FV
2. Temperature rating -20° to 550°F
3. Approximate volume: 130 gallons
4. Maximum flash load 3,000 lb/hr



HAFT-3084

1. ASME SEC VIII "U" stamped for 150 psi, +FV
2. Temperature rating -20° to 550°F
3. Approximate volume: 240 gallons
4. Maximum flash load 5,000 lb/hr