

# DIMENSIONS & DATA CERTIFIED FOR:

Representative:

Order:

Customer:

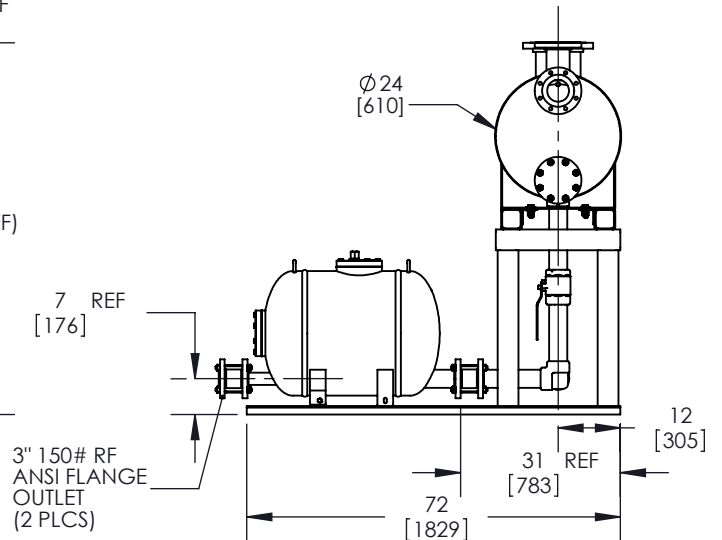
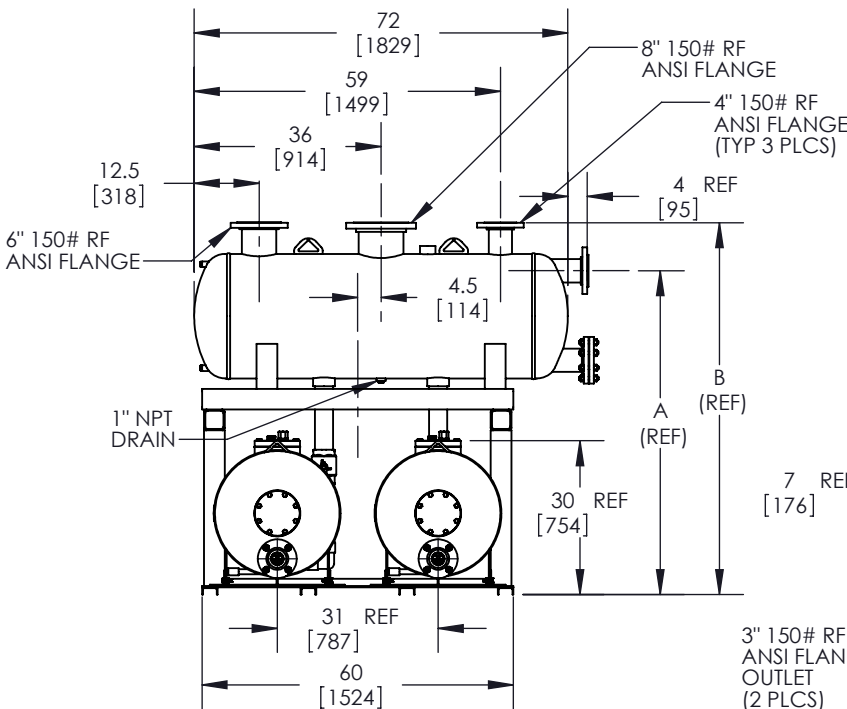
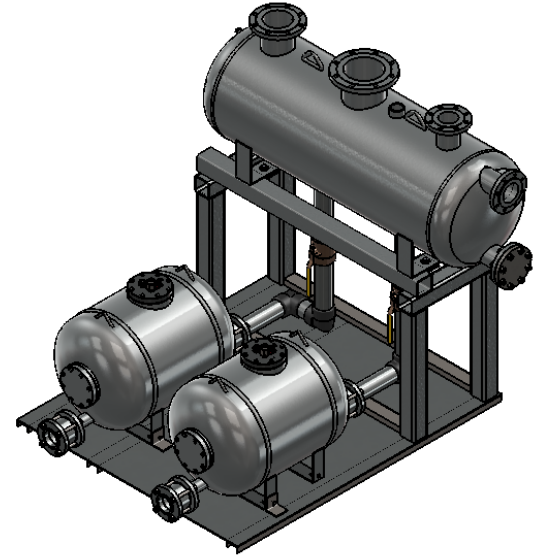
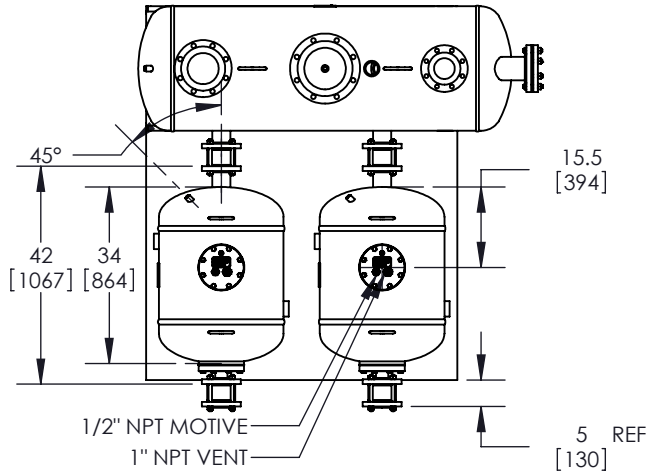
Order:

Project:

Requirements:

By:

Date:



**NOTES:**

1. RECEIVER ASME CODE: 150 PSIG
2. RECEIVER VOLUME: APPROX. 130 GALLONS
3. FILL HEAD MUST BE SPECIFIED

DIMENSION	A	B
0" FILL HEAD	51	60
6" FILL HEAD	57	66
12" FILL HEAD	63	72
24" FILL HEAD	75	84

DIMENSION [MM]	A	B
0 FILL HEAD	1295	1524
152 FILL HEAD	1448	1676
305 FILL HEAD	1600	1829
610 FILL HEAD	1905	2134



Product

DDD12-LBRPC-2472

ENGLISH

WEB  
Y|N  
X

CD No.

CD2480

Rev;

A

CN23034

Date

07/19/10

SHEET 1 OF 1

By: E.FRITTS