

# DIMENSIONS & DATA CERTIFIED FOR:

Representative:

Order:

Customer:

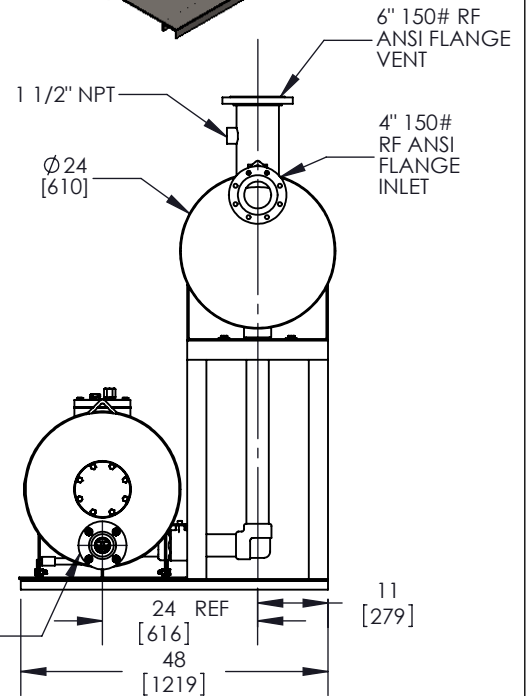
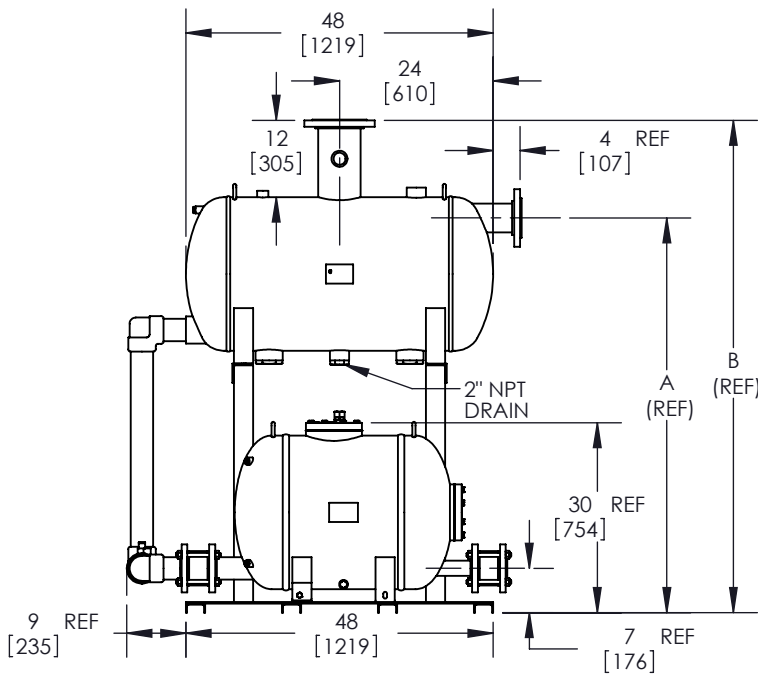
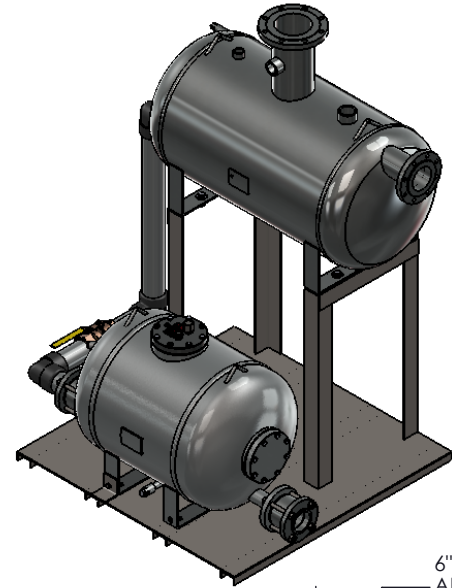
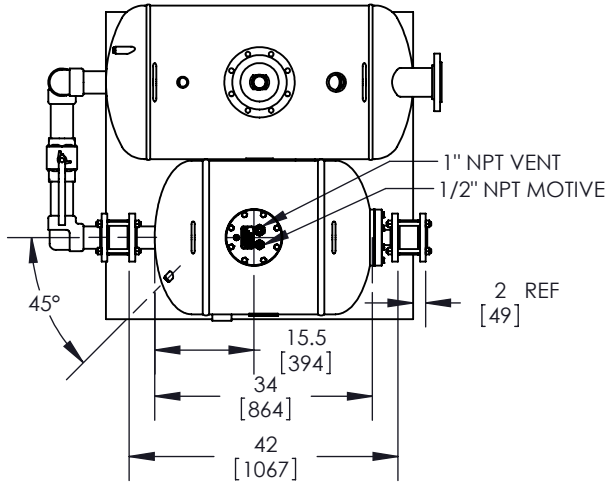
Order:

Project:

Requirements:

By:

Date:



**NOTES:**

1. RECEIVER ASME CODE: 150 PSIG
2. RECEIVER VOLUME: APPROX. 85 GALLONS
3. FILL HEAD MUST BE SPECIFIED

DIMENSION	A	B
0" FILL HEAD	50	65
6" FILL HEAD	56	71
12" FILL HEAD	62	77
24" FILL HEAD	74	89

DIMENSION [MM]	A	B
0 FILL HEAD	1270	1651
152 FILL HEAD	1448	1803
305 FILL HEAD	1575	1956
610 FILL HEAD	1880	2261



Product

## SDD12-LBRPC-2448

ENGLISH

WEB  
Y|N  
X

CD No.

CD2478

Rev;

A

Date

07/15/10

SHEET 1 OF 1

By: E.FRITTS