

DIMENSIONS & DATA CERTIFIED FOR:

Representative:

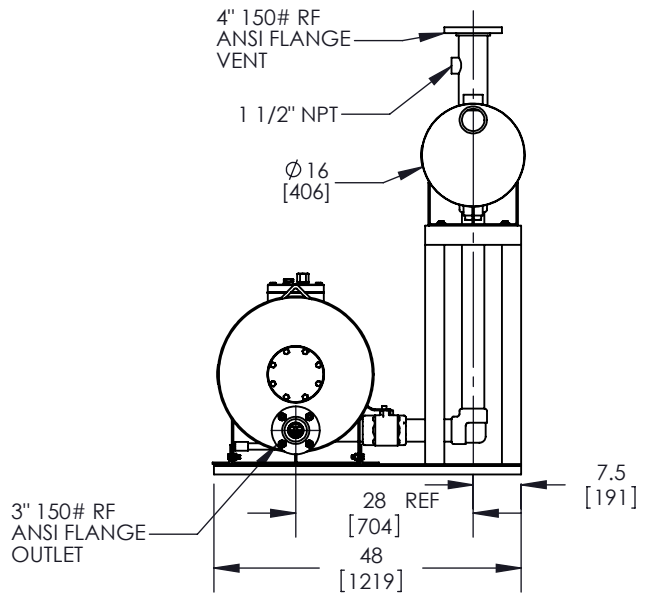
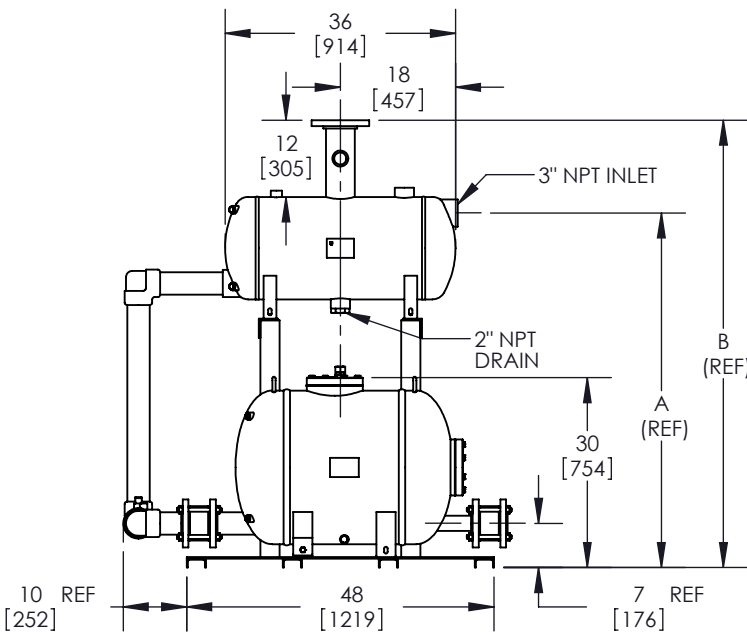
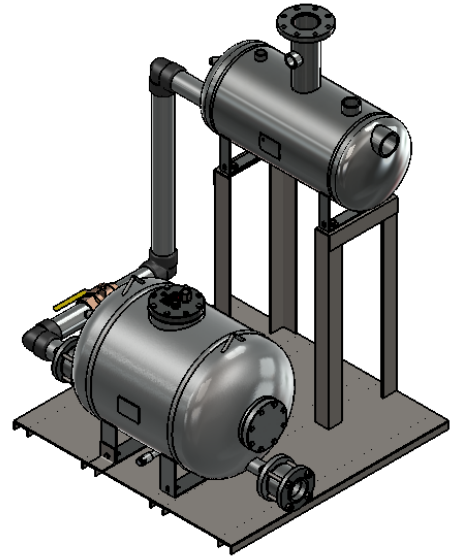
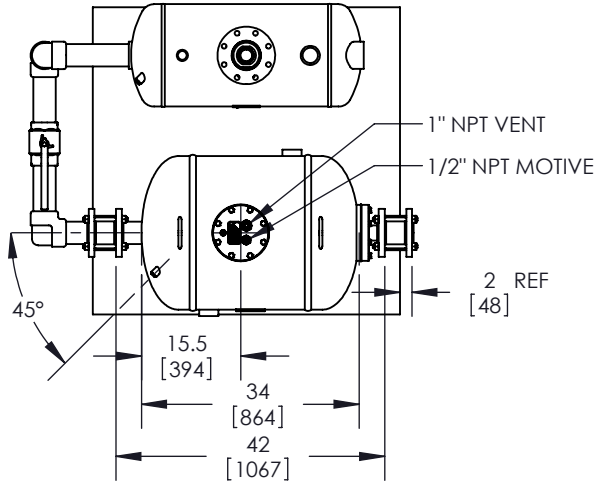
Order:

Customer:

Order:

Project:

Requirements:



NOTES:

1. RECEIVER ASME CODE: 150 PSIG
2. RECEIVER VOLUME: APPROX. 30 GALLONS
3. FILL HEAD MUST BE SPECIFIED

DIMENSION	A	B
0" FILL HEAD	44	58
6" FILL HEAD	50	64
12" FILL HEAD	56	70
24" FILL HEAD	68	82

DIMENSION [MM]	A	B
0 FILL HEAD	1118	1473
152 FILL HEAD	1270	1626
305 FILL HEAD	1422	1778
610 FILL HEAD	1727	2083



Product ENGLISH

SDD12-LBRPC-16

CD No.	Rev;	Date
CD2477	A <small>CN23034</small>	07/15/10
SHEET 1 OF 1		By: E.FRITTS