

# DIMENSIONS & DATA CERTIFIED FOR:

Representative:

Order:

Customer:

Order:

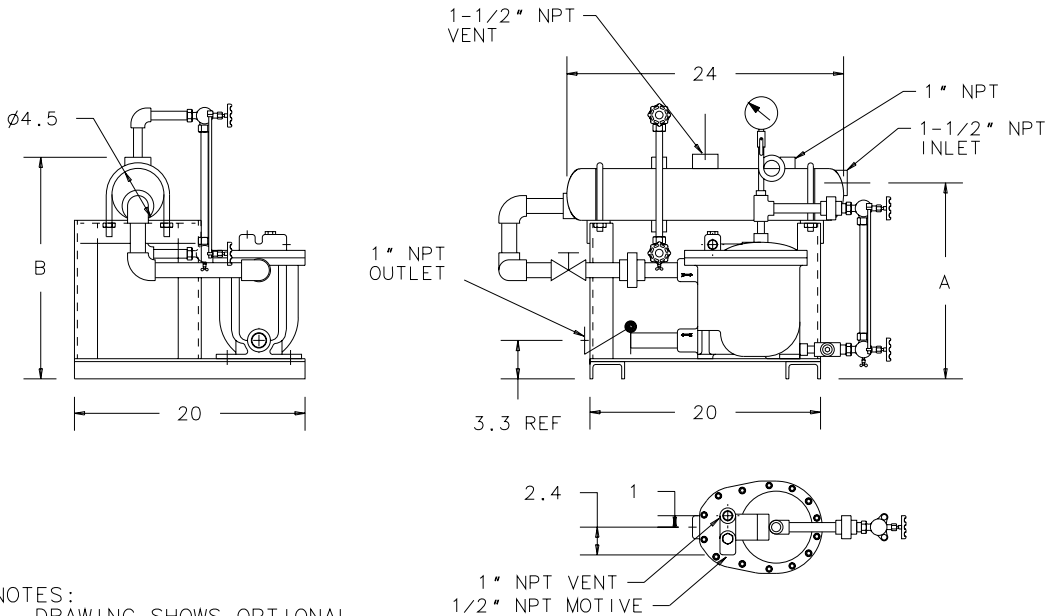
Project:

Requirements:

By:

Date:

DIMENSION	A	B
0" FILL HEAD	15	18
2" FILL HEAD	17	20
6" FILL HEAD	21	24



**NOTES:**

1. DRAWING SHOWS OPTIONAL GAUGE GLASSES AND PRESSURE GAUGE
2. RECEIVER ASME CODE 150 PSIG
3. RECEIVER VOLUME = APPROX. 1 GALLON
4. SEE DRAWING CDF1038 FOR RECEIVER SIZING
5. FILL HEAD MUST BE SPECIFIED



Product	ENGLISH	CD No.	Date
SPT-DD4LBRP-4	WEB	CD2031	6/26/07
	YIN		
		Rev: A	By: Matt Mc