

DIMENSIONS & DATA CERTIFIED FOR:

Representative:

Order:

Customer:

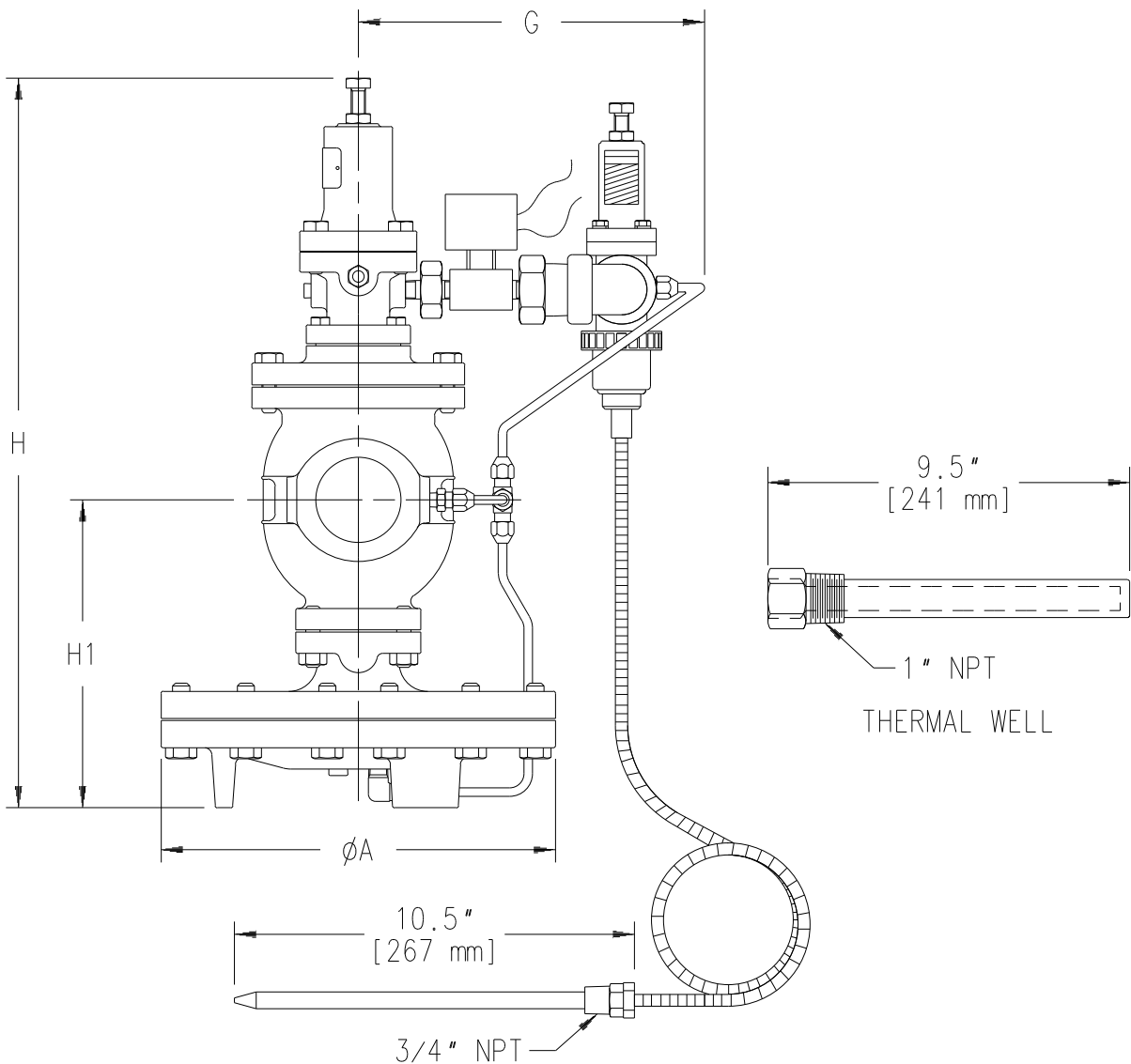
Order:

Project:


Requirements:

By:

Date:



List Of Materials			
OB-2000	Body Material	Valve and Seat Material	Maximum Temperature
Main Valve	Ductile Iron ASTM A536	Stainless Steel AISI 420	450°F [232°C]
Temperature Pilot Valve	Bronze ASTM B584		
Pressure Pilot	Ductile Iron ASTM A536	Teflon Rulon	338°F [170°C]
Solenoid Valve	Stainless Steel		



Armstrong Pressure/Temperature Group
221 Armstrong Blvd.,
Three Rivers, MI. 49093
Armstrong (269) 279-3600 Fax(269) 273-8656
Posted on Armstrong's homepage www.armstrong-intl.com

Product	CDY No.	Date
OB-2000PT with SOLENOID	1096 Page 1	10/21/02 Rev. B

Dimensions & Weights

SIZE	Face-to-Face			H	H1	A	G	Weight			Cv [Kv]
	NPT	CL.150	CL.300					NPT	CL.150	CL.300	
1/2" [15]	5-15/16" [151mm]	—	—	17-3/8" [441mm]	6-3/4" [171mm]	7-15/16" [202mm]	8-3/8" [213mm]	47 lbs. [21kgs]	—	—	5.0 [4.3]
3/4" [20]	5-15/16" [151mm]	—	—	17-3/8" [441mm]	6-3/4" [171mm]	7-15/16" [202mm]	8-3/8" [213mm]	47 lbs. [21kgs]	—	—	7.2 [6.2]
1" [25]	6-5/16" [160mm]	—	—	17-3/4" [451mm]	6-15/16" [176mm]	8-15/16" [227mm]	8-7/8" [225mm]	57 lbs. [26kgs]	—	—	10.9 [9.4]
1-1/4" [32]	7-1/8" [181mm]	—	—	18-7/8" [479mm]	7-5/8" [194mm]	8-15/16" [227mm]	9-1/8" [232mm]	67 lbs. [30kgs]	—	—	14.3 [12.4]
1-1/2" [40]	7-1/8" [181mm]	—	—	18-7/8" [479mm]	7-5/8" [194mm]	8-15/16" [227mm]	9-1/8" [232mm]	67 lbs. [30kgs]	—	—	18.8 [16.3]
2" [50]	9-1/16" [230mm]	8-9/16" [217mm]	9-1/8" [232mm]	21-3/8" [543mm]	8-1/2" [216mm]	10-15/16" [278mm]	8-3/8" [213mm]	89 lbs. [41kgs]	94 lbs. [43kgs]	100 lbs. [45kgs]	32 [27.7]
2-1/2" [65]	—	10-15/16" [278mm]	11-1/2" [292mm]	23-7/8" [606mm]	9-13/16" [249mm]	13-13/16" [351mm]	8-3/8" [213mm]	—	158 lbs. [72kgs]	167 lbs. [76kgs]	60 [51.9]
3" [80]	—	11-3/4" [298mm]	12-7/16" [316mm]	23-7/8" [606mm]	10-7/16" [265mm]	13-13/16" [351mm]	8-3/8" [213mm]	—	171 lbs. [78kgs]	183 lbs. [83kgs]	78 [67.5]
4" [100]	—	13-1/2" [343mm]	14-1/8" [359mm]	28-3/8" [721mm]	12-5/8" [321mm]	15-13/16" [402mm]	8-3/8" [213mm]	—	263 lbs. [119kgs]	281 lbs. [127kgs]	120 [103.8]

Specifications

Application	Inlet Pressure	Min. Differential Pressure	Reduced Pressure	Temperature Accuracy	Capillary Lengths
Steam	Npt 15-300 psig [1-20 bar]	7 psig [0.5 bar]	1.5 - 3 psig (Silver) [0.1 - 0.2 bar]	±2 °F From Set Point	6-1/2 ft. (Std) [2 m]
	CL. 150 flg. 15-185 psig [1-13 bar]		3 - 30 psig (Yellow) [0.2 - 2 bar]		9-1/2 ft [3 m]
	CL. 300 flg. 15-300 psig [1-20 bar]		20 - 100 psig (Red) [1.4 - 6.8 bar]		16-1/2 ft [5 m]
			80 - 200 psig (Black) [5.4 - 13.6 bar]		

Sensor and Accessories Specifications

Capillary Material	Capillary Temp. Ranges	Bulb Material	Bulb Connection	Thermal Well Material	Thermal Well Connection
Copper Capillary Tube With 304 Stainless Steel Armor Shield	18 - 59 °F [-8 - 15 °C] 50 - 97 °F [10 - 36 °C] 86 - 144 °F [30 - 62 °C] 131 - 201 °F [55 - 94 °C] 176 - 260 °F [80 - 127 °C] 239 - 361 °F [115 - 183 °C]	Nickel Plated Copper Bulb	3/4" NPT	*Brass *304 Stainless Steel	1" NPT

NOTE: *Standard. Other material available upon request.
Capillary can withstand a maximum of 36°F [2.2 °C] above rated range.



Armstrong Pressure/Temperature Group
221 Armstrong Blvd.,
Three Rivers, MI. 49093
Armstrong (269) 279-3600 Fax(269) 273-8656
Posted on Armstrong's homepage www.armstrong-intl.com

Product	CDY No.	Date
OB-2000PT with SOLENOID	1096 Page 2	10/21/02
		Rev. A