

DIMENSIONS & DATA CERTIFIED FOR:

Representative:

Order:

Customer:

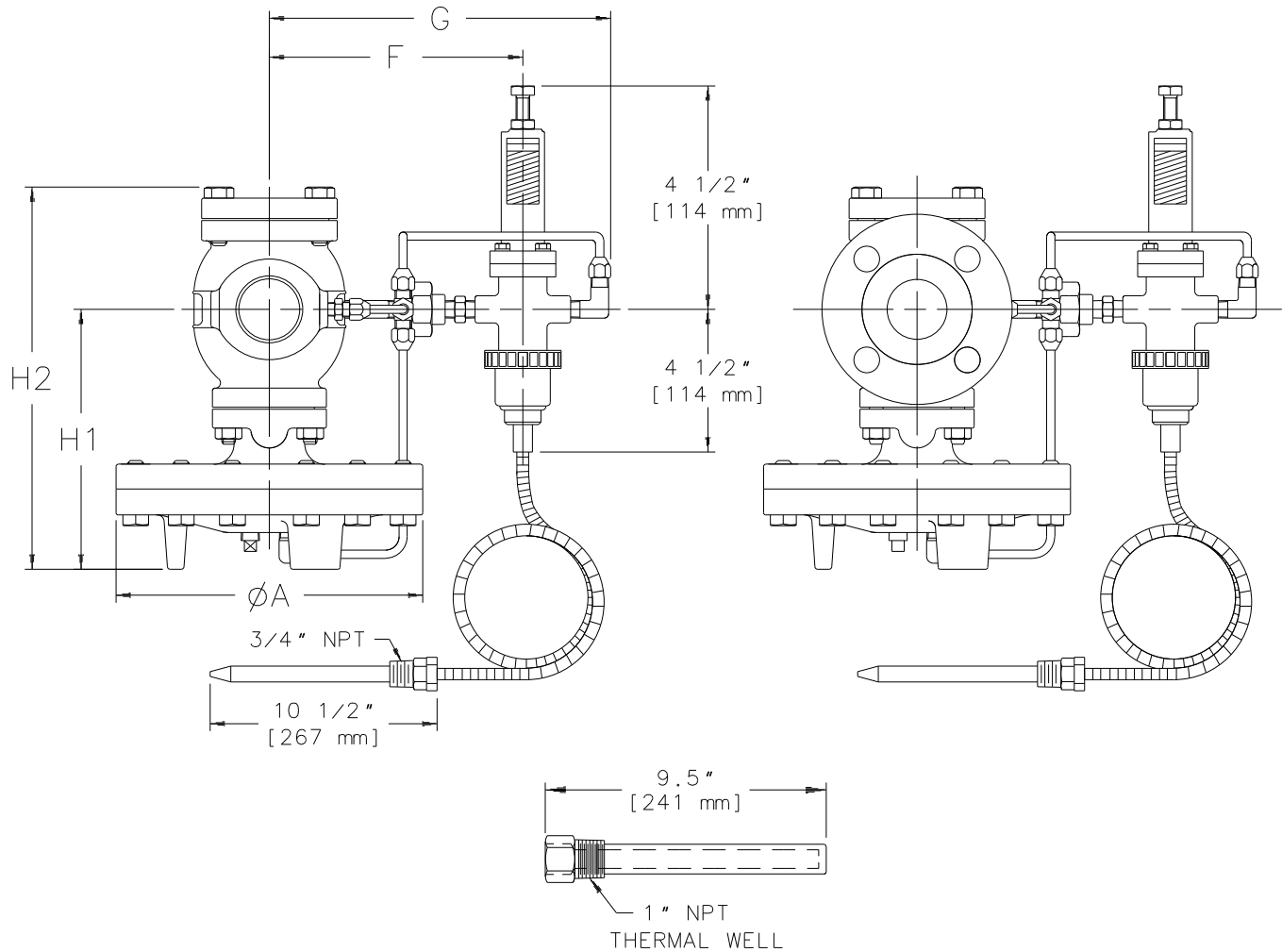
Order:

Project:


Requirements:

By:

Date:



| List Of Materials | | | | |
|-------------------------|---------------------------|--|--------------------------------|---------------------|
| | Body Material | Seat Type & Material | Valve Material | Maximum Temperature |
| Main Valve | Ductile Iron ASTM A536 | Single Seat Stainless Steel AISI 304 | Stainless Steel AISI 420 | 450 °F [232 °C] |
| Temperature Pilot Valve | Bronze ASTM B584 | | | |



Armstrong Pressure/Temperature Group
221 Armstrong Blvd.,
Three Rivers, MI. 49093
Armstrong (269) 279-3600 Fax(269) 273-8656
Posted on Armstrong's homepage www.armstrong-intl.com

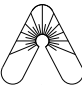
| | | |
|---------|----------------|---------|
| Product | CDY No. | Date |
| OB-2000 | 1013 PAGE 1 | 2/17/98 |
| | | Rev. B |

| Dimensions & Weights | | | | | | | | | | | | |
|----------------------|---------------------|----------------------|---------------------|--------------------|--------------------|----------------------|---------------------|--------------------|--------------------|----------------------|----------------------|----------------|
| SIZE | Face-to-Face | | | H1 | H2 | A | F | G | Weight | | | Cv [Kv] |
| | NPT | CL.150 | CL.300 | | | | | | NPT | CL.150 | CL.300 | |
| 1/2" [15] | 5-15/16" [151mm] | — | — | 6-3/4" [171mm] | 9-5/8" [244mm] | 7-15/16" [202mm] | 6-5/8" [168mm] | 8-3/4" [222mm] | 31 lbs. [14kgs] | — | — | 5.0 [4.3] |
| 3/4" [20] | 5-15/16" [151mm] | — | — | 6-3/4" [171mm] | 9-5/8" [244mm] | 7-15/16" [202mm] | 6-5/8" [168mm] | 8-3/4" [222mm] | 31 lbs. [14kgs] | — | — | 7.2 [6.2] |
| 1" [25] | 6-5/16" [160mm] | — | — | 7" [178mm] | 10" [254mm] | 8-15/16" [227mm] | 6-7/8" [175mm] | 8-7/8" [225mm] | 39 lbs. [18kgs] | — | — | 10.9 [9.4] |
| 1-1/4" [32] | 7-1/8" [181mm] | — | — | 7-5/8" [194mm] | 11-1/8" [283mm] | 8-15/16" [227mm] | 7-1/8" [181mm] | 9-1/4" [235mm] | 47 lbs. [21kgs] | — | — | 14.3 [12.4] |
| 1-1/2" [40] | 7-1/8" [181mm] | — | — | 7-5/8" [194mm] | 11-1/8" [283mm] | 8-15/16" [227mm] | 7-1/8" [181mm] | 9-1/4" [235mm] | 47 lbs. [21kgs] | — | — | 18.8 [16.3] |
| 2" [50] | 9-1/16" [230mm] | 8-9/16" [217mm] | 9-1/8" [232mm] | 8-5/8" [219mm] | 12-5/8" [321mm] | 10-15/16" [278mm] | 7-1/16" [179mm] | 9-1/2" [241mm] | 71 lbs. [32kgs] | 77 lbs. [35kgs] | 78 lbs. [35kgs] | 32 [27.7] |
| 2-1/2" [65] | — | 10-15/16" [278mm] | 11-1/2" [292mm] | 10-1/2" [267mm] | 14-3/4" [375mm] | 13-13/16" [351mm] | 8-1/8" [206mm] | 10-1/8" [257mm] | — | 138 lbs. [63kgs] | 140 lbs. [64kgs] | 60 [51.9] |
| 3" [80] | — | 11-3/4" [298mm] | 12-7/16" [316mm] | 11-1/8" [283mm] | 15-3/4" [400mm] | 13-13/16" [351mm] | 8-9/16" [217mm] | 10-5/8" [270mm] | — | 149 lbs. [68kgs] | 155 lbs. [70kgs] | 78 [67.5] |
| 4" [100] | — | 13-1/2" [343mm] | 14-1/8" [359mm] | 13-5/8" [346mm] | 19-1/4" [489mm] | 15-13/16" [402mm] | 9-1/4" [235mm] | 11-1/4" [286mm] | — | 234 lbs. [106kgs] | 243 lbs. [110kgs] | 120 [103.8] |
| 6" [150] | — | 18-1/8" [460mm] | 19" [483mm] | 16-1/4" [413mm] | 26-1/2" [673mm] | 19-3/4" [502mm] | 11-5/16" [135mm] | — | — | 553 lbs. [252kgs] | — | 250 [215] |

| Specifications | | | | | |
|--|--|----------------------------|-------------------------------|----------------------------|--------------------------|
| Application | Inlet Pressure | Min. Differential Pressure | Temperature Ranges | Temperature Accuracy | Capillary Lengths |
| Steam | Npt 10-300 psig [0.7-20 bar] | 7 psig [0.5 bar] | 18 - 59 °F [-7.8 - 15 °C] | ±2 °F From Set Point | 6-1/2 ft. (Std) [2 m] |
| | | | 50 - 97 °F [10 - 36 °C] | | |
| | CL. 150 flg. 10-185 psig [0.7-13 bar] | | 86 - 144 °F [30 - 62 °C] | | 9-1/2 ft [3 m] |
| | | | 131 - 201 °F [55 - 94 °C] | | |
| | | | 176 - 260 °F [80 - 127 °C] | | |
| CL. 300 flg. 10-300 psig [0.7-20 bar] | 239 - 361 °F [115 - 183 °C] | 16-1/2 ft [5 m] | | | |

| Sensor and Accessories Specifications | | | | | |
|--|--|------------------------------|-----------------|--------------------------------|-------------------------|
| Capillary Material | Capillary Temp. Ranges | Bulb Material | Bulb Connection | Thermal Well Material | Thermal Well Connection |
| Copper Capillary Tube With 304 Stainless Steel Armor Shield | 18 - 59 °F [-8 - 15 °C] 50 - 97 °F [10 - 36 °C] 86 - 144 °F [30 - 62 °C] 131 - 201 °F [55 - 94 °C] 176 - 260 °F [80 - 127 °C] 239 - 361 °F [115 - 183 °C] | Nickel Plated Copper Bulb | 3/4" NPT | *Brass *304 Stainless Steel | 1" NPT |

NOTE: *Standard. Other material available upon request.
Capillary can withstand a maximum of 36°F [2.2 °C] above rated range.

| | | |
|---|----------------|-------------------|
|  Armstrong Pressure/Temperature Group 221 Armstrong Blvd., Three Rivers, MI. 49093 Armstrong (269) 279-3600 Fax(269) 273-8656 Posted on Armstrong's homepage www.armstrong-intl.com | | |
| Product | CDY No. | Date |
| OB-2000 | 1013 PAGE 2 | 2/17/98 Rev. B |