

DIMENSIONS & DATA CERTIFIED FOR:

Representative:

Order:

Customer:

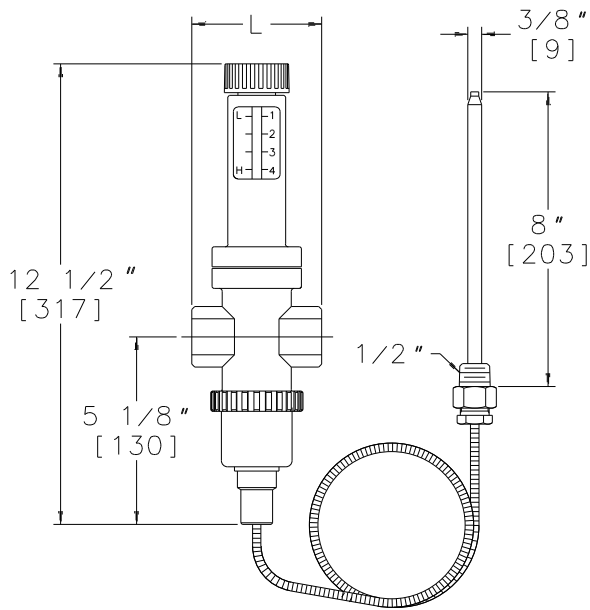
Order:

Project:

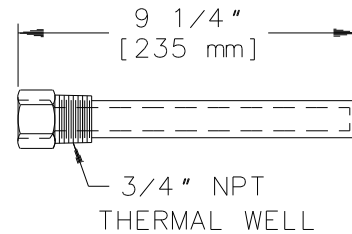
Requirements:

By:

Date:



Dimensions & Weights			
Size	L	Weight	Cv [Kv]
1/2" [15]	3" [76mm]	6 lbs [2.7 kgs]	3.7 [3.2]
3/4" [20]	3-1/8" [79mm]	6 lbs [2.7 kgs]	4.6 [4]
1" [25]	3-1/2" [89mm]	6-1/2 lbs [2.9 kgs]	5.8 [5]



Specifications

Model	Application	Service	Maximum Inlet Pressure	Maximum Differential Pressure	Temperature Ranges	Maximum Temperature	Temperature Accuracy	Capillary Lengths
OB-30	Heating	Steam	Steam 150 psig [10 bar]	140 psig [10 bar]	32-95 °F [0-35 °C]	365 °F [185 °C]	±7 °F From Set Point	6-1/2 ft. (Std) [2 m]
					77-158 °F [25-70 °C]			9-1/2 ft. [3 m]
OB-31	Cooling	Water Non-Corrosive Liquids	Liquid 250 psig [17 bar]	140 psig [10 bar]	104-212 °F [40-100 °C]	365 °F [185 °C]	±7 °F From Set Point	16-1/2 ft. [5 m]
					140-266 °F [60-130 °C]			
					158-302 °F [70-150 °C]			

Materials

Body	Bronze ASTM B584
Seat	Single Seat, 304 Stn. Stl.
Valve	Teflon
Capillary	304 Stn. Stl. Armor Shielded Capillary
Bulb	Copper-Nickel Plated
Thermal Well*	304 Stainless Steel or Brass

*Other materials available upon request.



Armstrong Pressure/Temperature Group
221 Armstrong Blvd.,
Three Rivers, MI. 49093
Armstrong (269) 279-3600 Fax(269) 273-8656
Posted on Armstrong's homepage www.armstrong-intl.com

Product	CDY No.	Date
OB-30/31	1036	3/03/98
		Rev. A