

# DIMENSIONS & DATA CERTIFIED FOR:

Representative:

Order:

Customer:

Order:

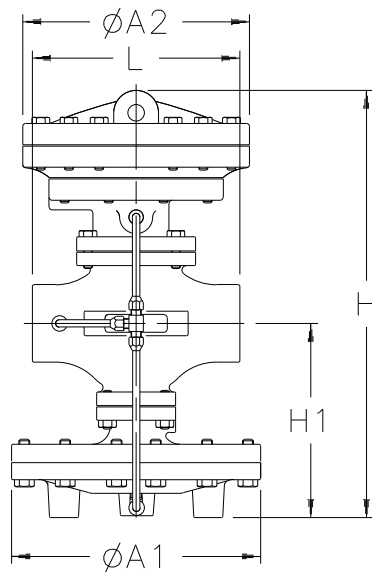
Project:

Requirements:

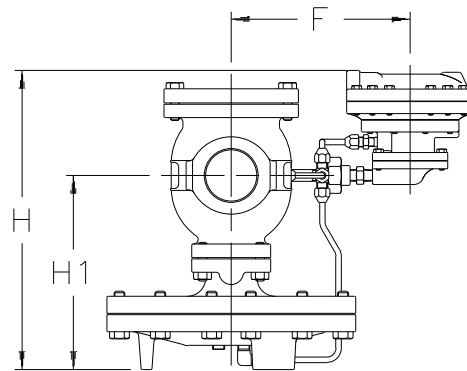
By:

Date:

## INTEGRAL MOUNT



## REMOTE MOUNT



### Dimensions & Weights

SIZE	L	A1	F	H Integral	H Remote	H1	A2	Weight	Cv [Kv]
1/2" [15]	5-15/16" [151mm]	7-15/16" [202mm]	6-7/8" [175mm]	13-7/8" [352mm]	12-1/2" [317mm]	6-3/4" [171mm]	6-3/4" [171mm]	40 lbs. [18 kgs.]	5 [4.3]
3/4" [20]	5-15/16" [151mm]	7-15/16" [202mm]	6-7/8" [175mm]	13-7/8" [321mm]	12-1/2" [317mm]	6-3/4" [171mm]	6-3/4" [171mm]	40 lbs. [18 kgs.]	7.2 [6.2]
1" [25]	6-5/16" [160mm]	8-15/16" [227mm]	7-7/8" [200mm]	14-1/4" [362mm]	12-7/16" [316mm]	6-15/16" [176mm]	6-3/4" [171mm]	50 lbs. [23 kgs.]	10.9 [9.4]
1-1/4" [32]	7-1/8" [181mm]	8-15/16" [227mm]	7-7/8" [200mm]	14-3/8" [365mm]	13-1/8" [333mm]	7-5/8" [194mm]	6-3/4" [171mm]	57 lbs. [26 kgs.]	14.3 [12.4]
1-1/2" [40]	7-1/8" [181mm]	8-15/16" [227mm]	7-7/8" [200mm]	14-3/8" [365mm]	13-1/8" [333mm]	7-5/8" [194mm]	6-3/4" [171mm]	57 lbs. [26 kgs.]	18.8 [16.3]
2" [50]	9-1/8" [232mm]	10-15/16" [278mm]	7-7/8" [200mm]	17-7/8" [454mm]	14" [356mm]	8-1/2" [216mm]	6-3/4" [171mm]	81 lbs. [37 kgs.]	32 [27.7]

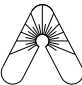


Armstrong Pressure/Temperature Group  
221 Armstrong Blvd.,  
Three Rivers, MI. 49093  
**Armstrong** (269) 279-3600 Fax(269) 273-8656  
Posted on Armstrong's homepage [www.armstrong-intl.com](http://www.armstrong-intl.com)

Product	CDY No.	Date
GP-2000K-2 THREADED CONNECTIONS	1016	2/19/98
		Rev. A

Specifications				
Application	Inlet Pressure	Reduced Pressure	Maximum Temperature	Minimum Differential
Steam	15-300 psig [1-20.4 bar]	15-200 psig [1-13.6 bar]	450 °F [232 °C]	7 psig [.48 bar]

List Of Materials	
Body	Ductile Iron ASTM A536
Main Valve/Seat	Stainless Steel AISI 420
Pilot Valve/Seat	Stainless Steel AISI 420
Diaphragm	Stainless Steel AISI 301

 Armstrong Pressure/Temperature Group 221 Armstrong Blvd., Three Rivers, MI. 49093 <b>Armstrong</b> (269) 279-3600 Fax(269) 273-8656 Posted on Armstrong's homepage <a href="http://www.armstrong-intl.com">www.armstrong-intl.com</a>		
Product	CDY No.	Date
GP-2000K-2 THREADED CONNECTIONS	1016	2/18/98
		Rev. A